

VILLAGE OF ORLAND PARK, ILLINOIS

INVITATION TO BID

Concrete Deck Installation

ISSUED

January 13, 2011

BID OPENING

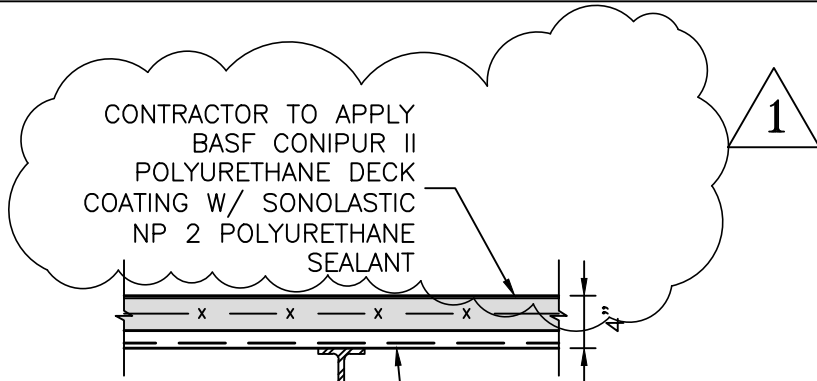
January 27, 2011

11:00 am

ADDENDUM #1 – January 26, 2011

Our office is providing an updated drawing in response to questions by contractors. The proposed membrane topping designation has been added to sheet S-4 of the structural drawing dated January 26, 2011.

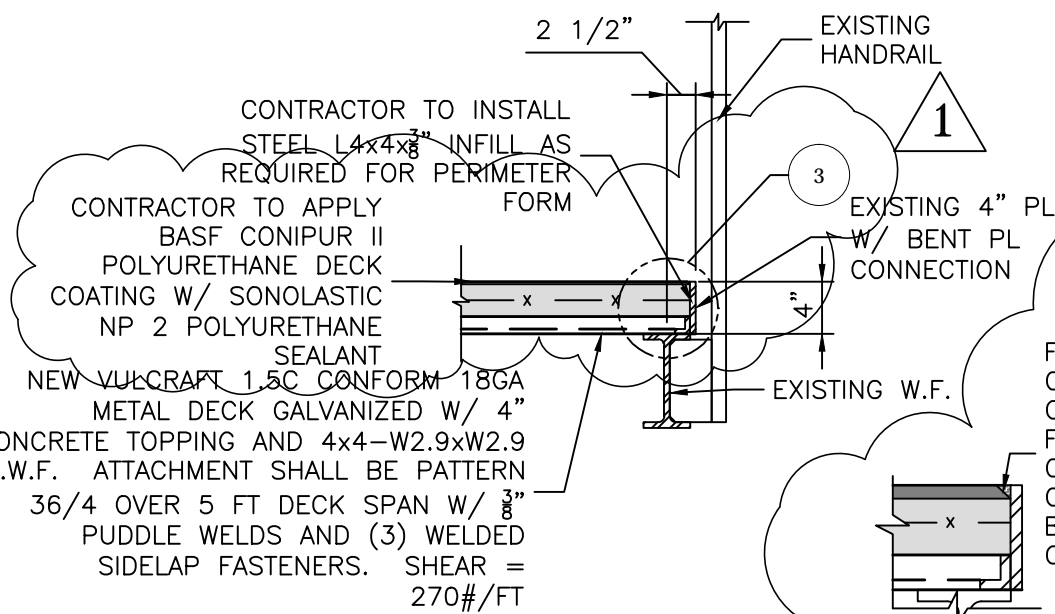
Toppings are polyurethane coatings by BASF. See attached data sheets and structural drawing S-4.



NEW VULCRAFT 1.5C CONFORM 18GA METAL DECK GALVANIZED W/ 4" CONCRETE TOPPING AND 4x4-W2.9xW2.9 W.W.F. ATTACHMENT SHALL BE PATTERN 36/4 OVER 5 FT DECK SPAN W/ 3/8" PUDDLE WELDS AND (3) WELDED SIDELAP FASTENERS. SHEAR = 270#/FT

1 SECTION

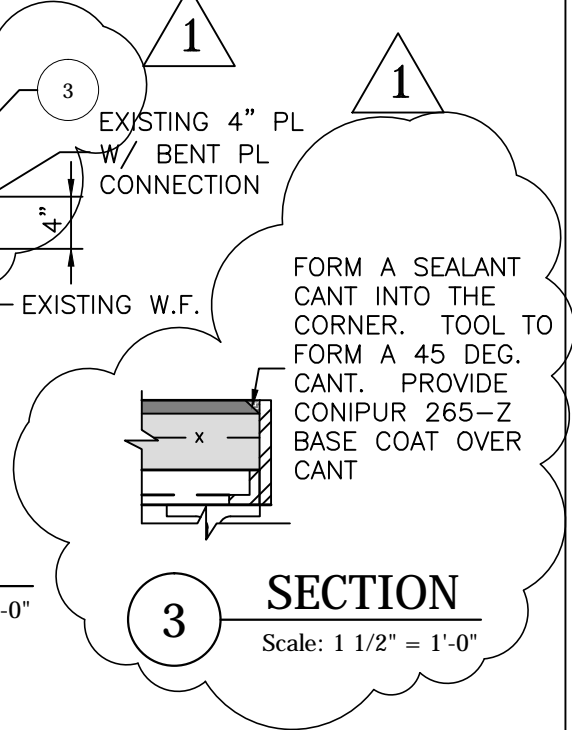
Scale: 3/4" = 1'-0"



NEW VULCRAFT 1.5C CONFORM 18GA METAL DECK GALVANIZED W/ 4" CONCRETE TOPPING AND 4x4-W2.9xW2.9 W.W.F. ATTACHMENT SHALL BE PATTERN 36/4 OVER 5 FT DECK SPAN W/ 3/8" PUDDLE WELDS AND (3) WELDED SIDELAP FASTENERS. SHEAR = 270#/FT

2 SECTION

Scale: 3/4" = 1'-0"



3 SECTION

Scale: 1 1/2" = 1'-0"

J. V. Henik, Inc. Structural Engineering Structural Design 2200 E. Devon Avenue, Suite 284 Forensic Investigations Des Plaines, IL 60018 Restoration Engineering 847-823-9835 www.jvhenikinc.com Fax: 847-823-9836 info@jvhenikinc.com		DETAIL			
		REVISION 1 JANUARY 26, 2011			
WATERPARK, ORLAND PARK, IL		SIZE	FSCM NO.	DWG NO. S-4	REV
		SCALE		SHEET	