

LEGAL NOTICE - MUST RUN IN
SOUTHTOWNSTAR
FRIDAY February 10, 2012

LEGAL NOTICE

VILLAGE OF ORLAND PARK, ILLINOIS
ADVERTISEMENT FOR BIDS

Purchase of Pool Pumps

The Village of Orland Park, Illinois will receive sealed bids until 12:00 P.M. on the 24th day of February, 2012 at the Office of the Village Clerk, 14700 S. Ravinia Ave., Orland Park, Illinois 60462, for the purchase of pool pumps for Centennial Pool. All Bids received will be publicly opened and read aloud on said date and time at the Village Hall, 14700 Ravinia Avenue, Orland Park, Illinois, 60462, before the Village Manager or his designee.

The specifications are on file and available for inspection and copies will be available at the Office of the Village Clerk and online on the Village's website, www.orland-park.il.us.

No bid shall be withdrawn after the opening of the bid without the consent of the Village for a period of sixty (60) days after the scheduled time of opening and reading bids.

The President and Board of Trustees reserve the right to reject any and all bids or parts thereof and to waive any informalities, technicalities and irregularities in bidding and to disregard all non-conforming or conditional bids.

The successful bidder shall be required to comply with the provisions of all State of Illinois and federal laws as well as the State of Illinois Human Rights Act and the regulations of the Illinois Human Rights Commission.

By order of the President and Board of Trustees of the Village of Orland Park, Cook and Will Counties, Illinois.

PRESIDENT AND BOARD OF TRUSTEES
VILLAGE OF ORLAND PARK, ILLINOIS

BY: DAVID P. MAHER
VILLAGE CLERK



VILLAGE OF ORLAND PARK, ILLINOIS

INVITATION TO BID

Pool Pumps

ISSUED

February 10, 2012

BID OPENING

**February 24, 2012
12:00 P.M.**

**VILLAGE OF ORLAND PARK, ILLINOIS
POOL PUMPS
INVITATION TO BID**

TABLE OF CONTENTS

I. INSTRUCTIONS TO BIDDERS

- Overview 2
- Bid Specifications 4
- General Provisions 5
- Bid Submission Requirements 8
- Evaluation of Bids/Bidders 9
- Bid Submittal Checklist 10

II. REQUIRED BID SUBMISSION DOCUMENTS

- Bidder Summary Sheet 12
- Business Organization 13
- Certificate of Eligibility to Enter into Contracts 14
- Equal Employment Opportunity 15
- Certification of Compliance With the Illinois Prevailing Wage Act 17
- Contractor's Certification Sexual Harassment, Tax & Substance Abuse . 18
- Apprenticeship and Training Program Certification 19
- References 20
- Insurance Requirements 21

III. EXHIBITS/ ADDITIONAL INFORMATION

- Exhibit A Local Vendor Purchasing Policy 23
- Exhibit B Detail Specifications 24

**VILLAGE OF ORLAND PARK, ILLINOIS
POOL PUMPS
INVITATION TO BID**

I. INSTRUCTIONS TO BIDDERS

OVERVIEW

The Village of Orland Park requests Bids for the purchase and installation of three (3) Pool Pumps (“Project”) for Centennial Park Aquatic Center in the Village of Orland Park, Illinois (“Village”). See the Specifications prepared by Village of Orland Park Department of Parks for details on the Project (“Specifications”).

In order to be responsive, SEALED BIDS must be signed and received by the Village of Orland Park in the Office of the Village Clerk, 14700 South Ravinia Avenue, Orland Park, Illinois 60462, not later than 12:00 P.M., local prevailing time on Friday, February 24, 2012. All sealed bids must be submitted to the Village Clerk, located at the above stated address. All sealed bids submitted properly will be opened publicly and read aloud immediately following the stated submission time for the Project which described in detail consists of the following:

Purchase of three (3) pool pumps for Centennial Park Aquatic Center. Please bid installation separately.

Oral, telephonic, facsimile or electronically transmitted bids shall not be considered.

No oral comments will be made to any Bidder as to the meaning of the Specifications or other contract documents. Requests for comments shall be made in writing. Contact Gary Couch by fax at (708) 403-6289, if you have any technical questions on this project. Inquiries received in writing within five (5) or more days prior to the bid opening will be given consideration and answers will be provided in writing to all potential bidders and will be available to the public. Bidders will not be relieved of obligations due to failure to examine or receive documents, visit the site or become familiar with conditions or facts of which the Bidder should have been aware and the Village will reject all claims related thereto.

Information (other than in the form of a written Addendum issued by the Village) from any officer, agent, or employee of the Village or any other person shall not affect the risks or obligations assumed by the bidder or relieve him from fulfilling any of the conditions and obligations set forth in the bid and other contract documents. Before the bids are opened, all modification or additions to the Specifications or General Provisions, or other bid documents will be made in the form of a written Addendum issued by the Village. The Village will send copies of any such Addendum not less than three (3) calendar days before bids are opened to those persons who have received bid packages and provided sufficient contact information. In the event of conflict with the original contract documents, addenda shall govern all other contract documents to the extent specified. Subsequent addenda shall govern over prior addenda only to the extent specified.

**VILLAGE OF ORLAND PARK, ILLINOIS
POOL PUMPS
INVITATION TO BID**

The bidder shall be required to acknowledge receipt of the formal Addendum by signing the Addendum and including it with the bid quotation. Failure of a bidder to include a signed formal Addendum in its bid quotation shall deem its quotation non-responsive; provided, however, that the Village may waive this requirement in its best interest.

Any references in the Specifications to manufacturer's name, trade name, or catalog number (unless otherwise specified) is intended to be descriptive but not restrictive and only to indicate articles or materials that will be satisfactory. Bids on other makes and catalogs will be considered, provided each bidder clearly states on the face of their bid exactly what is proposed to be furnished. Unless so stated in the bid, it shall be understood that the bidder intends to furnish the item specified and does not propose to furnish an "equal." The Village hereby reserves the right to approve as an equal, or to reject as not being an equal any article the bidder proposes to furnish which contains minor or major variations from specification requirements, but which may comply substantially therewith.

**VILLAGE OF ORLAND PARK, ILLINOIS
POOL PUMPS
INVITATION TO BID**

BID SPECIFICATIONS FOR:

Pool Pumps

SCOPE OF WORK:

The Village of Orland Park, Illinois is requesting bids to purchase three (3) pool pumps. Please bid cost of pump only and cost of pump with installation. Pool pump specifications are detailed in Section III Exhibit B.

- VIT-FFFM Size 12FDLC 1 Stage
- VIT-FFFM Size 14RHMC 1 Stage
- VIT-FFFM Size 10LHC 1 Stage

Delivery of equipment and installation, if selected, must be on or before May 1, 2012.

Bid Submission:

Please provide a total bid price on the Bidders Summary Sheet located in Section II.

**VILLAGE OF ORLAND PARK, ILLINOIS
POOL PUMPS
INVITATION TO BID**

GENERAL PROVISIONS

Contract – The purchase order, bid documents and warranties shall serve as the contract between the successful bidder and the Village.

This contract will expire upon completion, inspection, acceptance, and final payment for the work/goods/services performed. Certain provisions of the Contract shall survive the expiration or termination of the Contract.

The successful bidder may be required to enter into a standard form contract with the Village of Orland Park within ten (10) business days of notice of bid award (hereinafter referred to as the “Contract”) if installation is selected

Payments – Payment terms shall be pursuant to the provisions of the Local Government Prompt Payment Act (50 ILCS 505/1 *et seq.*) after receipt by the Village of Contractor’s Dated Invoice for the amount being requested. Invoices should include the following information:

- Name and address of contractor
- Purchase order number
- Dates of service
- Current invoice amount
- Invoices from subcontractors
- Lien Waivers from subcontractors

Assignment – Successful bidder shall not assign the work of this Project without the prior written approval of the Village.

Compliance with Laws – The bidder shall at all times observe and comply with all laws, ordinances and regulations of the federal, state, local and Village governments, which may in any manner affect the preparation of bids or the performance of the Contract.

Bidder hereby agrees that it will comply with all requirements of the Illinois Human Rights Act, 775 ILCS 5/1-101 et seq., including the provision dealing with sexual harassment and that if awarded the Contract will not engage in any prohibited form of discrimination in employment as defined in that Act and will require that its subcontractors agree to the same restrictions. The contractor shall maintain, and require that its subcontractors maintain, policies of equal employment opportunity which shall prohibit discrimination against any employee or applicant for employment on the basis of race, religion, color, sex, national origin, ancestry, citizenship status, age, marital status, physical or mental disability unrelated to the individual’s ability to perform the essential functions of the job, association with a person with a disability, or unfavorable discharge from military service. Contractors and all subcontractors shall comply with all requirements of the Act and of the Rules of the Illinois Department of Human Rights with regard to posting information on employees’ rights under the Act. Contractors and all subcontractors shall place

**VILLAGE OF ORLAND PARK, ILLINOIS
POOL PUMPS
INVITATION TO BID**

appropriate statements identifying their companies as equal opportunity employers in all advertisements for workers to be employed in work to be performed.

Not less than the Prevailing Rate of Wages as found by the Village of Orland Park or the Department of Labor shall be paid to laborers, workmen, and mechanics performing work under the Contract. If awarded the Contract, contractor must comply with all provisions of the Illinois Prevailing Wage Act, including, but not limited to, providing certified payroll records to the Village Clerk. Contractor and subcontractors shall be required to comply with all applicable federal laws, state laws and regulations regarding minimum wages, limit on payment to minors, minimum fair wage standards for minors, payment of wage due employees, and health and safety of employees. Contractor and subcontractor are required to pay employees all rightful salaries, medical benefits, pension and social security benefits pursuant to applicable labor agreements and federal and state statutes and to further require withholdings and deposits therefore.

Any contractor doing work in the Village must obtain a Contractor's license from the Village of Orland's Building Department, as may be required by Village code.

Guarantees and Warranties - All guarantees and warranties required shall be furnished by the bidder if awarded the Contract and shall be delivered to the Finance Department before final payment on the Contract is issued. Information describing such guarantees and warranties shall be included as part of the bid.

The bidder shall also specify any guarantees or warranties which are available for purchase by the Village and shall transfer the same in writing upon completion of the work, along with a Bill of Sale as may be appropriate.

By submitting a bid, bidder expressly warrants that materials and equipment furnished under the contract will be of good quality and new unless otherwise expressly required or permitted by the contract documents, that the work will be free from defects for one (1) year from the issuance of the final payment by the Village and deficiencies shall be corrected by the contractor under its warranty immediately upon notification from the Village.

Alternates - Equipment and materials are specified. Alternate equipment and or material other than those outlined within this packet will need to be specified with a cut sheet within the contractor's bid. If for any reason and at the sole discretion of the Village of Orland Park any alternate equipment and or materials are deemed to be unacceptable the entire bid maybe disregarded.

Indemnification - The selected contractor shall indemnify and hold harmless the Village of Orland Park ("Village"), its trustees, officers, directors, agents, employees, representative and assigns, from lawsuits, actions, costs (including attorney's fees), claims or liability of any character, incurred due to the alleged negligence of the Contractor, brought because of any injuries or damages received or sustained by any

**VILLAGE OF ORLAND PARK, ILLINOIS
POOL PUMPS
INVITATION TO BID**

person, persons or property on account of any act or omission, neglect or misconduct of said Contractor, its officers, agents and/or employees arising out of, or in performance of any of the provisions of the Contract Documents, including any claims or amounts recovered for any infringements of patent, trademark or copyright; or from any claims or amounts arising or recovered under the "Worker's Compensation Act: or any other law, ordinance, order or decree. In connection with any such claims, lawsuits, actions or liabilities, the Village, its trustees, officers, directors, agents, employees, representatives and their assigns shall have the right to defense counsel of their choice. The Contractor shall be solely liable for all costs of such defense and for all expenses, fees, judgments, settlements and all other costs arising out of such claims, lawsuits, actions or liabilities.

The Contractor shall not make any settlement or compromise of a lawsuit or claim, or fail to pursue any available avenue of appeal of any adverse judgment, without the approval of the Village and any other indemnified party. The Village or any other indemnified party, in its or their sole discretion, shall have the option of being represented by its or their own counsel. If this option is exercised, then the Contractor shall promptly reimburse the Village or other indemnified party, upon written demand, for any expenses, including but not limited to court costs, reasonable attorneys' and witnesses' fees and other expenses of litigation incurred by the Village or other indemnified party in connection therewith.

**VILLAGE OF ORLAND PARK, ILLINOIS
POOL PUMPS
INVITATION TO BID**

BID SUBMISSION REQUIREMENTS

Bidder must submit three (3) complete, sealed, signed and attested copies of the bid, two (2) of which shall be complete bound copies and one (1) of which shall be a complete, identical, unbound copy of the bid, and shall have provided all requested information, and submitted all appropriate forms, certificates, affidavits and addendum acknowledgements in each copy in order to be considered responsive. All copies shall contain the forms with the original signatures (please include a photocopy of the bid bond in the unbound copy).

Once submitted, no bid may be withdrawn without the Village's consent, but it may be superseded by a subsequent timely bid. Any bid received after the time and date specified for opening, or any postponement thereof, will not be considered. Bids shall be irrevocable for a period of sixty (60) calendar days after the Village opens them.

Each bidder is responsible for reading the bid documents and determining that the Specifications describe the work to be performed in sufficient detail. Failure of a bidder to do so shall not relieve the bidder of any obligation with respect to said bid. Bidders shall notify the Village of any inappropriate service, brand name, component, or equipment called for by the Village in the Specifications and shall note in its bid the adjustments made to accommodate such deficiencies in the Specifications. After bids have been opened, no bidder shall assert that there was a misunderstanding concerning the nature of the work to be done or the quantities and specifications of the equipment/materials/items to be delivered, and no such claim shall relieve a bidder from its obligation to perform. All bids must be made only on the forms provided by the Village and must be made in accordance with this Invitation to Bid and Specifications, (Project manual) all of which are on file and may be obtained for examination in the Clerk's Office at the above address and are made part of this notice as though fully set forth herein.

Bidder Summary Sheet – Section II includes the Bidder Summary Sheet that must be completed and submitted with the bid package.

References – Bidders shall provide the Village with the names and contact information of three (3) references for which they have performed similar work. The bidders grant Village permission to contact said references and ask questions regarding prior work performance. Village shall use the information gained from bidder's references to further evaluate the bidders.

Bid Price - The submitted bid price shall include all permits, insurance, equipment, plant facilities, work and expense necessary to perform the work in accordance with the Specifications included in this bid packet. The submitted bid price shall not include any amount for sales or use taxes, or any other tax from which the Village is exempt.

**VILLAGE OF ORLAND PARK, ILLINOIS
POOL PUMPS
INVITATION TO BID**

EVALUATION OF BIDS/BIDDERS

The Village reserves the right to accept any bid, any part or parts thereof, or to reject any and all bids.

The Village reserves the right to waive minor informalities or irregularities in the bids received, to accept any bid deemed advantageous to the Village, or to reject any and all bids submitted. Conditional bids, or those which take exception to the Contract documents without prior written approval from the Village, may be considered non-responsive and may be rejected.

The Village may make such investigations as it deems necessary to determine the ability of the bidder to perform the work in conformity with the Contract documents, and the bidder shall furnish to the Village all such information and data for this purpose as the Village may request.

The Contract shall be awarded to the lowest responsive, responsible bidder. In determining the lowest responsive and responsible bid, consideration will be given to several factors, including but not limited to price, financial responsibility of the bidder, completion date, responsiveness to the specifications, and the experience of the Village and other purchasers with the bidders.

Award of the contract is subject to Village of Orland Park Board approval. The Corporate Authority of the Village may elect to enforce its Local Vendor Purchasing Policy (see Section III Exhibit A – Local Vendor Purchasing Policy) when awarding the contract.

By submitting its bid, the bidder agrees to furnish, upon request from the Village, all information (including a list of subcontractors and suppliers and their prices) reasonably necessary for analysis. Furthermore, the Village may request that the bidder show, in detail, the kinds, quantities, and prices of direct material and direct labor used to develop prices/costs submitted in the bid. In addition, the Village reserves the right to request and receive information explaining the estimating process, including the judgmental factors and methods used to project from known data, and the contingencies used. The Village may require the bidder to show how it computes and applies indirect costs, and to show trend and budgetary data.

The Village may also conduct a pre-award facility survey of the bidder. This survey may include, but is not limited to, determining if the bidder has the experience, capability, necessary facilities and financial resources to complete the contract in a satisfactory manner within the required time.

The Village award will be made within sixty (60) calendar days after the date of the bid opening, or any mutually agreed extension thereof.

**VILLAGE OF ORLAND PARK, ILLINOIS
POOL PUMPS
INVITATION TO BID**

BID SUBMITTAL CHECKLIST

In order to be responsive, the bidder must submit all of the following items:

Sealed Bid Envelope - **Addressed to the Village of Orland Park, Attn: Village Clerk's Office**, 14700 S. Ravinia Ave., Orland Park, IL 60462, and labeled: ***Pool Pumps - Bid***, in the lower left hand corner.

- Bid - Bidder must submit **three (3) complete, sealed, signed and attested copies of the bid, two (2) of which shall be complete bound copies and one (1) of which shall be a complete, identical, unbound copy of the bid**, and shall have provided all requested information, and submitted all appropriate forms, certificates, affidavits and addendum acknowledgements in each copy in order to be considered responsive. All copies shall contain the forms with the original signatures (please include a photocopy of the bid bond in the unbound copy). Note: only need to include those required documents listed in Section II in the bid submission.

- All forms completed from Section II:
 - Bidder Summary Sheet
 - Business Organization
 - Certificate of Eligibility to Enter into Public Contracts
 - Equal Employment Opportunity
 - Certification of Compliance With the Illinois Prevailing Wage Act
 - Contractor's Certification Sexual Harassment, Tax & Substance Abuse
 - Apprenticeship and Training Program Certification
 - References
 - Insurance Requirements

II – REQUIRED BID SUBMISSION DOCUMENTS

BIDDER SUMMARY SHEET

Pool Pumps
Project Name

IN WITNESS WHEREOF, the parties hereto have executed this Bid as of date shown below.

Firm Name: _____

Address: _____

City, State, Zip Code: _____

Contact Person: _____

FEIN #: _____

Phone: (____) _____ Fax: (____) _____

E-mail Address: _____

RECEIPT OF ADDENDA: The receipt of the following addenda is hereby acknowledged:

Addendum No. _____, Dated _____ Addendum No. _____, Dated _____

<u>ITEM</u>	<u>Cost of Pump Only</u>	<u>Cost with Installation</u>
VIT-FFFM Size 12FDLC	\$ _____	\$ _____
VIT-FFFM Size 14RHMC	\$ _____	\$ _____
VIT-FFFM Size 10LHC	\$ _____	\$ _____

Delivery Time: _____ number of days from order date.

Signature of Authorized Signee: _____

Title: _____ Date: _____

BUSINESS ORGANIZATION:

_____ Sole Proprietor: An individual whose signature is affixed to this proposal.

_____ Partnership: Attach sheet and state full names, titles and address of all responsible principals and/or partners. Provide percent of ownership and a copy of partnership agreement.

_____ Corporation: State of incorporation: _____
Provide a disclosure of all officers and principals by name and business address, date of incorporation and indicate if the corporation is authorized to do business in Illinois.

In submitting this proposal, it is understood that the Village of Orland Park reserves the right to reject any or all proposals, to accept an alternate proposal, and to waive any informalities in any proposal.

In compliance with your Request for Proposals, and subject to all conditions thereof, the undersigned offers and agrees, if this proposal is accepted, to furnish the services as outlined.

_____ (Corporate Seal)
Business Name

_____ Signature _____ Print or type name

_____ Title _____ Date

**CERTIFICATION OF ELIGIBILITY
TO ENTER INTO PUBLIC CONTRACTS**

IMPORTANT: THIS CERTIFICATION MUST BE EXECUTED.

I, _____, being first duly sworn certify and say
that I am _____
(insert "sole owner," "partner," "president," or other proper title)

of _____, the Prime Contractor
submitting this proposal, and that the Prime Contractor is not barred from contracting with any unit of
state or local government as a result of a violation of either Section 33E-3, or 33E-4 of the Illinois
Criminal Code, or of any similar offense of "bid-rigging" or "bid-rotating" of any state or of the United
States.

Signature of Person Making Certification

Subscribed and Sworn To
Before Me This _____ Day
of _____, 20__.

Notary Public

EQUAL EMPLOYMENT OPPORTUNITY

Section I. This EQUAL EMPLOYMENT OPPORTUNITY CLAUSE is required by the Illinois Human Rights Act and the Rules and Regulations of the Illinois Department of Human Rights published at 44 Illinois Administrative Code Section 750, et seq.

Section II. In the event of the Contractor's noncompliance with any provision of this Equal Employment Opportunity Clause, the Illinois Human Right Act, or the Rules and Regulations for Public Contracts of the Department of Human Rights (hereinafter referred to as the Department) the Contractor may be declared non-responsible and therefore ineligible for future contracts or subcontracts with the State of Illinois or any of its political subdivisions or municipal corporations, and this agreement may be canceled or avoided in whole or in part, and such other sanctions or penalties may be imposed or remedies involved as provided by statute or regulation.

During the performance of this Agreement, the Contractor agrees:

A. That it will not discriminate against any employee or applicant for employment because of race, color, religion, sex, national origin or ancestry; and further that it will examine all job classifications to determine if minority persons or women are underutilized and will take appropriate affirmative action to rectify any such underutilization.

B. That, if it hires additional employees in order to perform this Agreement, or any portion hereof, it will determine the availability (in accordance with the Department's Rules and Regulations for Public Contracts) of minorities and women in the area(s) from which it may reasonably recruit and it will hire for each job classification for which employees are hired in such a way that minorities and women are not underutilized.

C. That, in all solicitations or advertisements for employees placed by it or on its behalf, it will state that all applicants will be afforded equal opportunity without discrimination because of race, color, religion, sex, marital status, national origin or ancestry, age, or physical or mental handicap unrelated to ability, or an unfavorable discharge from military service.

D. That it will send to each labor organization or representative of workers with which it has or is bound by a collective bargaining or other agreement or understanding, a notice advising such labor organization or representative of the Contractor's obligations under the Illinois Human Rights Act and Department's Rules and Regulations for Public Contract.

E. That it will submit reports as required by the Department's Rules and Regulations for Public Contracts, furnish all relevant information as may from time to time be requested by the Department or the contracting agency, and in all respects comply with the Illinois Human Rights Act and Department's Rules and Regulations for Public Contracts.

F. That it will permit access to all relevant books, records, accounts and work sites by personnel of the contracting agency and Department for purposes of investigation to

ascertain compliance with the Illinois Human Rights Act and Department's Rules and Regulations for Public Contracts.

G. That it will include verbatim or by reference the provisions of this Equal Employment Opportunity Clause in every subcontract it awards under which any portion of this Agreement obligations are undertaken or assumed, so that such provisions will be binding upon such subcontractor. In the same manner as the other provisions of this Agreement, the Contractor will be liable for compliance with applicable provisions of this clause by such subcontractors; and further it will promptly notify the contracting agency and the Department in the event any subcontractor fails or refuses to comply therewith. In addition, the Contractor will not utilize any subcontractor declared by the Illinois Human Rights Department to be ineligible for contracts or subcontracts with the State of Illinois or any of its political subdivisions or municipal corporations.

Section III. For the purposes of subsection G of Section II, "subcontract" means any agreement, arrangement or understanding, written or otherwise, between the Contractor and any person under which any portion of the Contractor's obligations under one or more public contracts is performed, undertaken or assumed; the term "subcontract", however, shall not include any agreement, arrangement or understanding in which the parties stand in the relationship of an employer and an employee, or between a Contractor or other organization and its customers.

ACKNOWLEDGED AND AGREED TO:

NAME: _____

SIGNATURE: _____

WITNESS: _____

DATE: _____

**CERTIFICATION OF COMPLIANCE WITH THE
ILLINOIS PREVAILING WAGE ACT
(820 ILCS 130/0.01, et seq.)**

It is hereby stipulated and certified to the Village of Orland Park, that the undersigned Contractor shall pay not less than the prevailing hourly rate of wages, the generally prevailing rate of hourly wages for legal holiday and overtime work, and the prevailing hourly rate for welfare and other benefits as determined by the Illinois Department of Labor and as set forth in the schedule of prevailing wages for this contract to all laborers, workers and mechanics performing work under this contract. The undersigned Contractor further stipulates and certifies that he/she/it has maintained a satisfactory record of Prevailing Wage Act compliance with no significant Prevailing Wage Act violations for the past three (3) years. In accordance with Public Act 94-0515, the Contractor will submit to the Village certified payroll records (to include for every worker employed on the project the name, address, telephone number, social security number, job classification, hourly wages paid in each pay period, number of hours worked each day and starting and ending time of work each day) on a monthly basis, along with a statement affirming that such records are true and accurate, that the wages paid to each worker are not less than the required prevailing rate and that the Contractor is aware that knowingly filing false records is a Class B Misdemeanor.

Contractor:

By: _____
(Authorized Officer)

Subscribed and Sworn to
before me this _____ day
of _____, 20__

Notary Public

**VILLAGE OF ORLAND PARK
CONTRACTOR'S CERTIFICATION
SEXUAL HARASSMENT, TAX & SUBSTANCE ABUSE**

_____, having been first duly sworn deposes and states as follows:
(Officer or Owner of Company)

_____, having submitted a proposal for:
(Name of Company)

(PROJECT)

to the Village of Orland Park, Illinois, hereby certifies that the undersigned Contractor:

1. has a written sexual harassment policy in place in full compliance with 775 ILCS 5/2-105(A)(4).
2. is not delinquent in the payment of any tax administered by the Illinois Department of Revenue, or if:
 - a. it is contesting its liability for the tax or the amount of tax in accordance with procedures established by the approved Revenue Act; or
 - b. it has entered into an agreement with the Department of Revenue for payment of all taxes due and is currently in compliance with that agreement.

3. is in full compliance with the Federal Highway Administration Rules on Controlled Substances and Alcohol Use and Testing, 49 CFR Parts 40 and 382 and that _____ is/are currently participating
(Name of employee/driver or "all employee drivers")
in a drug and alcohol testing program pursuant to the aforementioned rules.

___ 4A. has in place a written program which meets or exceeds the program requirements of the Substance Abuse Prevention on Public Works Projects Act (Public Act 95-0635), and has provided a written copy thereof to the Village of Orland Park; or

___ 4B. has in place a collective bargaining agreement which deals with the subject matter of the Substance Abuse Prevention on Public Works Projects Act (Public Act 95-0635).

(Check either 4A or 4B, depending upon which certification is correct.)

By: _____
Officer or Owner of Company named above

Subscribed and sworn to
Before me this _____
Day of _____, 200__.

Notary Public

APPRENTICESHIP AND TRAINING PROGRAM CERTIFICATION

I, _____, having been first duly sworn depose and state as follows:

I, _____, am the duly authorized agent for _____, which has submitted a bid to the Village of Orland Park for

_____ and I hereby certify
(Name of Project)

that _____
(Name of Company)

participates in apprenticeship and training programs approved and registered with the United States Department of Labor Bureau of Apprenticeship and Training.

By: _____

Title: _____

Subscribed and Sworn to
Before me this _____
Day of _____, 20__

Notary Public

REFERENCES

(Please type)

ORGANIZATION _____

ADDRESS _____

CITY, STATE, ZIP _____

PHONE NUMBER _____

CONTACT PERSON _____

DATE OF PROJECT _____

ORGANIZATION _____

ADDRESS _____

CITY, STATE, ZIP _____

PHONE NUMBER _____

CONTACT PERSON _____

DATE OF PROJECT _____

ORGANIZATION _____

ADDRESS _____

CITY, STATE, ZIP _____

PHONE NUMBER _____

CONTACT PERSON _____

DATE OF PROJECT _____

Bidder's Name: _____

Signature & Date: _____

INSURANCE REQUIREMENTS

Please submit a policy Specimen Certificate of Insurance showing bidder’s current coverage’s

WORKERS COMPENSATION & EMPLOYER LIABILITY

\$500,000 – Each Accident
\$500,000 – Policy Limit
\$500,000 – Each Employee
Waiver of Subrogation in favor of the Village of Orland Park

AUTOMOBILE LIABILITY

\$1,000,000 – Combined Single Limit
Additional Insured Endorsement in favor of the Village of Orland Park

GENERAL LIABILITY (Occurrence basis)

\$1,000,000 – Each Occurrence
\$2,000,000 – General Aggregate Limit
\$1,000,000 – Personal & Advertising Injury
\$2,000,000 – Products/Completed Operations Aggregate
Additional Insured Endorsement & Waiver of Subrogation in favor of the Village of Orland Park

EXCESS LIABILITY (Umbrella-Follow Form Policy)

\$2,000,000 – Each Occurrence
\$2,000,000 – Aggregate
EXCESS MUST COVER: General Liability, Automobile Liability, Workers Compensation

Any insurance policies providing the coverages required of the Contractor, shall be specifically endorsed to identify “The Village of Orland Park, and their respective officers, trustees, directors, employees and agents as Additional Insureds on a primary/non-contributory basis with respect to all claims arising out of operations by or on behalf of the named insured.” If the named insureds have other applicable insurance coverage, that coverage shall be deemed to be on an excess or contingent basis. The policies shall also contain a Waiver of Subrogation in favor of the Additional Insureds in regards to General Liability and Workers Compensation coverage’s. The certificate of insurance shall also state this information on its face. Any insurance company providing coverage must hold an A VII rating according to Best’s Key Rating Guide. Permitting the contractor, or any subcontractor, to proceed with any work prior to our receipt of the foregoing certificate and endorsement however, shall not be a waiver of the contractor’s obligation to provide all of the above insurance.

The bidder agrees that if they are the selected contractor, within ten days after the date of notice of the award of the contract and prior to the commencement of any work, you will furnish evidence of Insurance coverage providing for at minimum the coverages and limits described above directly to the Village of Orland Park, Denise Domalewski, Contract Administrator, 14700 S. Ravinia Avenue, Orland Park, IL 60462. Failure to provide this evidence in the time frame specified and prior to beginning of work may result in the termination of the Village’s relationship with the selected bidder and the bid will be awarded to the next lowest bidder or result in creation of a new bid.

ACCEPTED & AGREED THIS ____ DAY OF _____, 20__

Signature

Authorized to execute agreements for:

Printed Name & Title

Name of Company

III – EXHIBITS/ADDITIONAL INFORMATION

EXHIBIT A

**VILLAGE OF ORLAND PARK
LOCAL VENDOR PURCHASING POLICY**

The Village of Orland Park believes it is important to provide local vendors with opportunities to provide goods and services to the Village of Orland Park. This belief is based upon the fact that the active uses of commercial properties in the Village benefits the community through stabilization of the property tax base, the creation of local sales tax and the provision of employment opportunities for citizens of the community and surrounding region.

In an effort to promote the aforementioned benefits, the Village of Orland Park wishes to provide local vendors with preferential treatment when competing for contracts with the Village. A local vendor is defined as a business that has an actual business location within the corporate boundaries of Orland Park and is licensed by the Village. The Village will not award a contract to a local vendor when the difference between the local vendors bid and the otherwise lowest responsive and responsible bid exceeds the applicable percentage indicated below. As such, when considering contracts, the Village reserves the right to forego the lowest responsive and responsible bid in favor of a local vendor under the following circumstances:

<u>Contract Value</u>	<u>Range (up to a maximum of)</u>
\$0 - \$250,000	2.00%
\$250,000 - 1,000,000	1.50%
\$1,000,000 - 2,000,000	1.00%
Greater than \$2,000,000	Not Applicable

Under no circumstance will any contract be awarded to a local vendor when the local vendor's bid exceeds the lowest responsive and responsible bid by \$20,000 or more.

This Policy shall ONLY apply if formal notice of the aforementioned criteria is provided as part of the bid specifications. In addition, it should be noted that the Village of Orland Park shall not be obligated to forego the low bidder in favor of the local vendor under any circumstances. However, this Policy simply provides the Village with the option of doing so when applicable. Furthermore, this Policy shall not apply in any situation where any portion of the contract amount is being paid with funds other than Village monies. Specifically, this Policy shall not apply in any situation where the Village has received a grant or otherwise received a source of funds other than its own funds.

EXHIBIT B

Detail Specifications

Proposal No: GB12-01-24 01
 Item No: ITEM 001

January 26, 2012

MODEL:VIT-FFFM Size:12FDLC 1 Stage(s) QTY:1

Operating conditions

SERVICE
 LIQUID Water (70.0 deg F) SP.GR 1.000
 LIQUID TYPE Non Toxic
 CAPACITY 1,600.0 gpm
 RATED HEAD 44.0 ft

Performance at 1770 RPM

BOWL EFFY 83.9% (Cor.81.3%) @design
 PUMP EFFY 77.5% @design
 RUN OUT CAPACITY 2,279.3 (gpm) (Min Req.Submerg. 24.98 (in) @ Run out) (1), (2)
 POWER 22.90 @design, 21.5 @ Shut off, 20.1 @ Run out (hp)
 NPSHr @1st imp. eye 19.5 ft (available NPSH is 48.5 ft at 1st imp. eye)
 TOTAL THRUST 1,289.9 @ Shut off, 800.2 @design (Lb)
 DISCH. PRESSURE 31.6 psi g @ Shut off, 17.2 psi g @design (at disch. flange)
 MIN. FLOW Continuous Stable: 792.0 gpm Hydraulic: 792.0 gpm Thermal: N/A

(1) for vortex suppression, based on H.I. 1994 Edition
 (2) Min Req.Submerg. 21.70 (in) @ Rated

Materials and Dimensions

BOWL Cast iron with glass enamel standard
 SUCTION BELL Cast iron
 IMPELLER Bronze (Enclosed) taper locked
 IMPELLER DIA 7.6875 (in)
 BOWL SHAFT 416SS 1.9375 (in) diameter
 SUCTION BEARING Bronze
 BOWL BEARINGS Bronze
 STRAINER 316SS (clip on -bell)
 COLUMN Carbon steel 10.00 (in) diam., 7 (ft) long Flanged
 COLUMN SHAFT 416SS, 1.5000 (in) diam. (open) lineshaft sleeve: none
 LINESHAFT BRGS Bronze, 5ft spacing
 LINESHAFT CPLG 416SS, Threaded
 DISCH.HEAD Carbon steel
 HEADSHAFT CPLG 416SS Threaded
 COUPLING GUARD Carbon steel
 DISCH.FLANGE 10 (in) 150# R.F.
 TPL 9.0 (ft)

Sealing Method

PACKING Acrylic yarn and graphite
 PIPING Goulds' standard bypass tubing
 DRIVER FEATURES Steady bushing

Driver : Motor	Vertical hollow shaft	Manufacturer : US Electric
FURNISHED BY	Pump mfg	MOUNTED BY Customer
RATING	25.0 hp	ENCLOSURE WPI Prem. Eff.
PHASE/FREQ/VOLTS	3/60 Hz/230/460	SPEED 1800 RPM
INSULATION/SF	F/1.15	FRAME/BD 284TPH/16.5 (in)

Weights and Measurements

Total Bowl Weight	359.2 (lb)
Total Column Weight	392.7 (lb)
Discharge Head Weight	735.0 (lb)
Driver Weight	305.0 (lb)
Total Unit Weight	1791.9 (lb)
Boxing Volume	124.9 (ft ³)

Program Version 1.38.0.0

Our offer does not include specific review and incorporation of any Statutory or Regulatory Requirements and the offer is limited to the requirements of the design specifications. Should any Statutory or Regulatory requirements need to be reviewed and incorporated then the Customer is responsible to identify those and provide copies for review and revision of our offer.

Our quotation is offered in accordance with our comments and exceptions identified in our proposal.

Customer is responsible for verifying that the recommendations made and the materials selected are satisfactory for the Customer's intended environment and Customer's use of the selected pump. Customer is responsible for determining the suitability of Goulds Pumps' recommendations for all operating conditions within Customer's and/or End User's control. Goulds Pumps disclaims all warranties, express or implied, including, but not limited to, warranties of merchantability and fitness for a particular purpose.

ITT does not guarantee any pump intake configuration. The hydraulic and structural adequacies of these structures are the sole responsibility of the Customer or his representatives. Further, ITT accepts no liability arising out of unsatisfactory pump intake field operating conditions. The Customer or his representatives are referred to the Hydraulic Institute Standards for recommendations on pump intake design. To optimize the hydraulic design of a field pump intake configuration, the Customer should strongly consider performing a detailed scale model pump intake study. However, the adequacies of these recommendations are the sole responsibility of the Customer.

Material and Construction Details

<u>Model</u>	VIT-FFFM
<u>Bowl 12FDLC</u>	
Bowl	Cast iron with glass enamel
Impeller	Bronze
Shaft material	416SS
Wear rings - bowl	None
Wear rings - impeller	None
Bowl bearing	Bronze
Suction bearing	Bronze
Impeller lock method	Taper lock
Impeller collet material	Carbon steel
Impeller type	Enclosed
Suction material	Cast iron
Sand collar	304SS
Cap screws	Carbon steel
Strainer material	316SS (clip on -bell)
<u>Column</u>	
Column type	Flanged
Column material	Carbon steel
Column shaft material	416SS
Line shaft coupling type	Threaded
Column bolting	Carbon Steel
Lineshaft brg type	Bronze
Column bearing retainer	Cast Iron
<u>Discharge head</u>	
Disch.head material	Carbon steel
Disch.head Bolting	Carbon steel
Head shaft sleeve material	None
Drive shaft	416SS
Head shaft coupling	416SS Threaded
Coupling guard	Carbon steel
Stuffing box	Cast iron
St.box/Seal housing bearing	Bronze
Seal Bolting	Carbon steel
Packing	Acrylic yarn and graphite
Split gland	316SS
<u>TPL</u>	9.0 (ft)
<u>Driver</u>	
Driver manufacturer	US Electric
Driver type	Motor
Driver Base diameter	16.5 (in)
Driver stand	
Driver type	Vertical hollow shaft
Motor enclosure	WPI Prem. Eff.

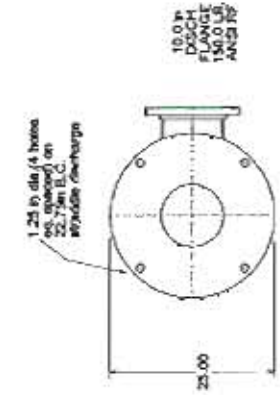
Proposal No : GB12-01-24 01 Item No: ITEM 001

January 26, 2012 (15:08:41 PM)

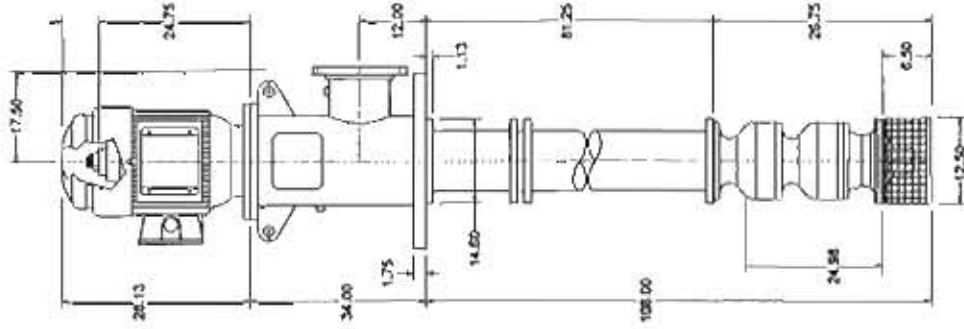
Driver power	25.0 hp
Motor ph/freq/volts	3/60 Hz/230/460
Mtr Service Factor/Insulation	1.15/F
Driver speed	1800 RPM
Motor frame	284TPH

NOTE: x shows that a detail is incompatible

OUTLINE DRAWING



0111 -C48



CUSTOMER _____
 P.O. NO. _____
 ITBM NO. ITEM_001
 NO. OF UNITS 1
 PUMP SIZE 12FDLC NO. OF STGS. 1
 GPM 1,600.0 GPM T.D.H. 44.0 FT
 LIQUID Water
 SP.GR. 1.000 TEMP. 70.0 DEG.F VISC. _____
 COIL SIZE 10.00 IN SHAFT 1.5000 IN DIA.
 CPLG TYPE THREADED
 COUPLING GUARD YES NO
 DRIVER MFG. US ELECTRIC
 HP 25.0 HP RPM 1800 VSS VHS
 PH. 3 CYCLES 60 HZ VOLTS 230/460
 ENCLOSURE WP1 PREM. FRAME 284TP
 EFF. _____ H _____

WEIGHT:

PUMP	1487	LB
DRIVER	305	LB
TOTAL	1792	LB

NO.	NOTES
1	T.P.L. (TOTAL PUMP LENGTH) IS THE DISTANCE TO LOWEST PROJECTION ON PUMP ± 1.0
2	TOLERANCE ON ALL DIMENSIONS IS ± .12 OR ± .12 PER 5 FT WHICHEVER IS GREATER. TOLERANCE ON ALL PIPING DIMENSIONS IS AS FOLLOWS: DISCH. NOZZLE FLANGE IS ± .25 AUXILIARY CONNECTIONS ARE ± 1.0
3	HT - DISTANCE OF DRIVER FACE TO TOP OF HEADSHAFT.
4	ALL DIMENSIONS SHOWN ARE IN INCHES UNLESS OTHERWISE STATED.
5	DRAWING IS NOT TO SCALE
6	RECOMMENDED DIAMETER RANGE TO CLEAR PUMP, DRAIN AND COLUMN ASSEMBLY IS 15.6 in
7	1/2" NPT - GAUGE CONN. (PLUGGED)
8	DRIVER MAY BE ROTATED AT 90° INTERVALS ABOUT VERTICAL CENTERLINE. FOR DETAILS REFER TO DRIVER DIMENSION DRAWING.
9	BEFORE STARTING PUMP, IMPELLER MUST BE LIFTED 0.12 in
10	M.A.W.P. DISCH. HEAD, DISCH. SIDE = 36.4 PSI G
11	THIS PUMP ASSEMBLY HAS BEEN DESIGNED SO THAT ITS NATURAL FREQUENCY RESPONSES AVOID THE SPECIFIC OPERATING SPEED (OR SPEEDS) BY AN ADEQUATE SAFETY MARGIN. THE DESIGN HAS ASSUMED THE FOUNDATION TO BE RIGID.

DO NOT USE FOR CONSTRUCTION UNLESS CERTIFIED

CERTIFIED BY _____ DATE 01/26/2012

TITLE OUTLINE MODEL VIT-FFFM
10 x 12FDLC 1 STAGES

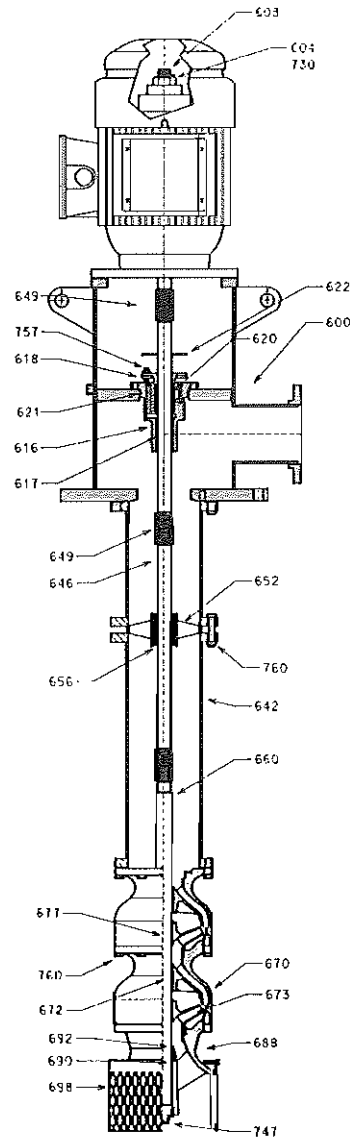
ITT GOULDS PUMPS S.O. NUMBER _____
 Engineered for life

CROSS SECTIONAL DRAWING

Model VIT-FFFM
Size 12FDLC



EXHIBIT B



BILL OF MATERIAL				
Discharge Head Assembly				
ITEM	PART NAME	CODE	MATERIAL	ASTM#
600	HEAD- DISCHARGE	B05149 B 9645	CARBON STEEL FAB	A53
604	NUT- ADJUSTING	IE191 2242	CARBON STEEL 1018	A108-99
608	HEADSHAFT	2227	SST 416	A582M-95b
616	HOUSING	1003	CAST IRON CL30	A48-94ae1
617	BEARING- HOUSING	1109	FEDERALLOY BISMUTH BRZ	B584-00
618	GLAND- SPLIT	1203	SST 316	A744M-00
620	PACKING	5026	GRAPHITE PACKING	ML402-99
621	O-RING	5302	NITRILE BUNA N	D4322-96
622	SLINGER	5121	RUBBER EPDM	D3568-98
730	KEY- MOTOR GIB	A8442.3 2242	CARBON STEEL 1018	A108-99
757	SCREW -GLAND ADJUSTING	2229	SST 316	A276-00a
Column and Lineshaft Assembly				
ITEM	PART NAME	CODE	MATERIAL	ASTM#
642	COLUMN PIPE	9645	CARBON STEEL FAB	A53
646	LINESHAFT	2227	SST 416	A582M-95b
649	LINESHAFT COUPLING	2265	SST 416	A582M-95b
652	RETAINER-BEARING	1003	CAST IRON CL30	A48-94ae1
656	LINESHAFT BEARING	1109	FEDERALLOY BISMUTH BRZ	B584-00
Bowl Assembly				
ITEM	PART NAME	CODE	MATERIAL	ASTM#
660	BOWL SHAFT	2227	SST 416	A582M-95b
670	BOWL- INTERMEDIATE	6911	CAST IRON CL30 ENAMEL	A48-94e1
672	BEARING- INT BOWL	1109	FEDERALLOY BISMUTH BRZ	B584-00
673	IMPELLER	1398	SILICON BRONZE C87610	B584-00
677	COLLET- IMPELLER	2242	CARBON STEEL 1018	A108-99
688	BOWL/BELL- SUCTION	1003	CAST IRON CL30	A48-94ae1
690	BEARING- SUCTION	1109	FEDERALLOY BISMUTH BRZ	B584-00
692	SANDCOLLAR	1205	SST 304	A744M-00
698	STRAINER-SUCTION	6913	SST 316 XPND METAL FL	A555-97
747	PLUG-PIPE	1048	MALLEABLE IRON	A197
760	CAPSCREW- HEX	2298	STEEL BOLTING GR 8	J429-99

* Recommended spare parts
Items not illustrated

Service:
End User:
Project No: Orland Water Park
Item No: ITEM 001
Customer P.O. No:
Serial No:
Customer:

DRAWING NO GB12-01-24 01/ITEM 001

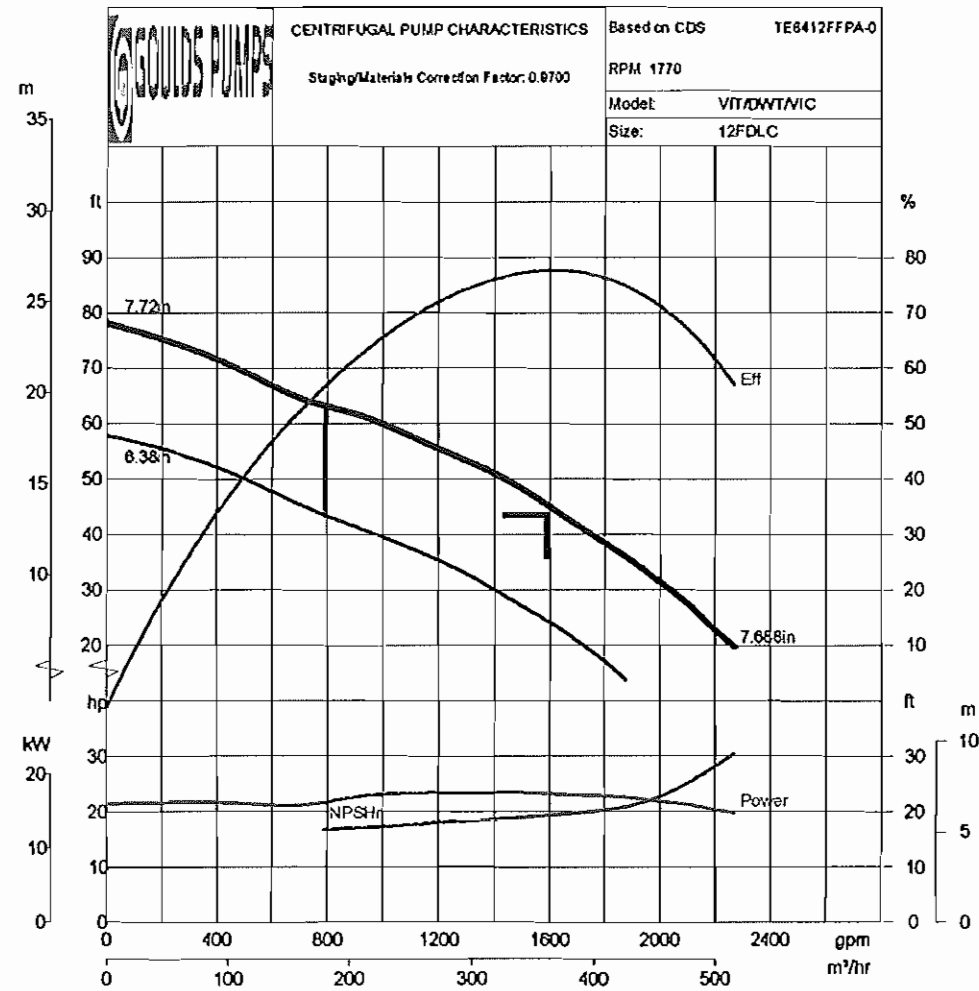
Model: VIT-FFFM Size: 12FDLC 60Hz RPM: 1770 Stages: 1

EXHIBIT B

Job/Inq.No. : Purchaser :
 End User : Issued by : George Bouch Rev. : 0
 Item/Equip.No. : ITEM 001 Quotation No. : GB12-01-24 01 Date : 01/26/2012
 Service : Setting :
 Order No. : Certified By :

Operating Conditions		Pump Performance	
Liquid:	Water	Published Efficiency:	83.9 %
Temp.:	70.0 deg F	Rated Pump Efficiency:	77.5 %
S.G./Visc.:	1.000/1.000 cp	Rated Total Power:	22.90 hp
Flow:	1,600.0 gpm	Non-Overloading Power:	23.5 hp
TDH:	44.0 ft	Shut off Head:	77.9 ft
NPSHa:	48.5 ft	NPSHr:	19.5 ft
Solid size:		Bowl Material:	Cast iron with glass enamel
Vapor Press:		Impeller Material:	Bronze
		Suction Specific Speed:	7,837 gpm(US) ft
		Min. Hydraulic Flow:	792.0 gpm
		Min. Thermal Flow:	N/A
		Imp. Dia. First 1 Stg(s):	7.6875 in
		Max. Solids Size:	0.8100 in
		Thrust K factor:	15.00

Notes: 1. Bowl Performance Curve based on Pumping Clear, non-Aerated Water. Rated Point only is guaranteed.



Proposal No: GB12-01-24 01
 Item No: ITEM 002

January 26, 2012

MODEL:VIT-FFFM Size:14RHMC 1 Stage(s) QTY:1

Operating conditions

SERVICE

LIQUID Water (70.0 deg F) SP.GR 1.000
 LIQUID TYPE Non Toxic
 CAPACITY 2,200.0 gpm
 RATED HEAD 45.0 ft

Performance at 1770 RPM

BOWL EFFY 84.1% (Cor.82.5%) @design
 PUMP EFFY 78.3% @design
 RUN OUT CAPACITY 2,545.8 (gpm) (Min Req.Submerg. 26.15 (in) @ Run out) (1), (2)
 POWER 31.90 @design, 25.8 @ Shut off, 30.4 @ Run out (hp)
 NPSHr @1st imp. eye 20.2 ft (available NPSH is 47.8 ft at 1st imp. eye)
 TOTAL THRUST 1,538.0 @ Shut off, 889.4 @design (Lb)
 DISCH. PRESSURE 34.9 psi g @ Shut off, 17.4 psi g @design (at disch. flange)
 MIN. FLOW Continuous Stable: 746.8 gpm Hydraulic: 746.8 gpm Thermal: N/A

(1) for vortex suppression, based on H.I. 1994 Edition

(2) Min Req.Submerg. 24.62 (in) @ Rated

Materials and Dimensions

BOWL Cast iron with glass enamel standard
 SUCTION BELL Cast iron
 IMPELLER Bronze (Enclosed) taper locked
 IMPELLER DIA 8.3125 (in)
 BOWL SHAFT 416SS 2.1875 (in) diameter
 SUCTION BEARING Bronze
 BOWL BEARINGS Bronze
 STRAINER 316SS (clip on -bell)
 COLUMN Carbon steel 10.00 (in) diam., 6 (ft) long Flanged
 COLUMN SHAFT 416SS, 1.5000 (in) diam. (open) lineshaft sleeve: none
 LINESHAFT BRGS Bronze, 5ft spaeing
 LINESHAFT CPLG 416SS, Threaded
 DISCH.HEAD Carbon steel
 HEADSHAFT CPLG 416SS Threaded
 COUPLING GUARD Carbon steel
 DISCH.FLANGE 10 (in) 150# R.F.
 TPL 9.5 (ft)

Sealing Method

PACKING Acrylic yarn and graphite
 PIPING Goulds' standard bypass tubing
 DRIVER FEATURES Steady bushing

Driver : Motor	Vertical hollow shaft	Manufacturer : US Electric
FURNISHED BY	Pump mfg	MOUNTED BY Customer
RATING	40.0 hp	ENCLOSURE WPI Prem. Eff.
PHASE/FREQ/VOLTS	3/60 Hz/230/460	SPEED 1800 RPM
INSULATION/SF	F/1.15	FRAME/BD 324TP/16.5 (in)

Weights and Measurements

Total Bowl Weight	612.0 (1b)
Total Column Weight	375.8 (1b)
Discharge Head Weight	735.0 (1b)
Driver Weight	635.0 (1b)
Total Unit Weight	2357.8 (1b)
Boxing Volume	122.9 (ft ³)

Program Version 1.38.0.0

Our offer does not include specific review and incorporation of any Statutory or Regulatory Requirements and the offer is limited to the requirements of the design specifications. Should any Statutory or Regulatory requirements need to be reviewed and incorporated then the Customer is responsible to identify those and provide copies for review and revision of our offer.

Our quotation is offered in accordance with our comments and exceptions identified in our proposal.

Customer is responsible for verifying that the recommendations made and the materials selected are satisfactory for the Customer's intended environment and Customer's use of the selected pump. Customer is responsible for determining the suitability of Goulds Pumps' recommendations for all operating conditions within Customer's and/or End User's control. Goulds Pumps disclaims all warranties, express or implied, including, but not limited to, warranties of merchantability and fitness for a particular purpose.

ITT does not guarantee any pump intake configuration. The hydraulic and structural adequacies of these structures are the sole responsibility of the Customer or his representatives. Further, ITT accepts no liability arising out of unsatisfactory pump intake field operating conditions.

The Customer or his representatives are referred to the Hydraulic Institute Standards for recommendations on pump intake design. To optimize the hydraulic design of a field pump intake configuration, the Customer should strongly consider performing a detailed scale model pump intake study. However, the adequacies of these recommendations are the sole responsibility of the Customer.

Material and Construction Details

<u>Model</u>	VIT-FFFM
<u>Bowl 14RHMC</u>	
Bowl	Cast iron with glass enamel
Impeller	Bronze
Shaft material	416SS
Wear rings - bowl	None
Wear rings - impeller	None
Bowl bearing	Bronze
Suction bearing	Bronze
Impeller lock method	Taper lock
Impeller collet material	Carbon steel
Impeller type	Enclosed
Suction material	Cast iron
Sand collar	304SS
Cap screws	Carbon steel
Strainer material	316SS (elip on -bell)
<u>Column</u>	
Column type	Flanged
Column material	Carbon steel
Column shaft material	416SS
Line shaft coupling type	Threaded
Column bolting	Carbon Steel
Lineshaft brg type	Bronze
Column bearing retainer	Cast Iron
<u>Discharge head</u>	
Disch.head material	Carbon steel
Disch.head Bolting	Carbon steel
Head shaft sleeve material	None
Drive shaft	416SS
Head shaft coupling	416SS Threaded
Coupling guard	Carbon steel
Stuffing box	Cast iron
St.box/Seal housing bearing	Bronze
Seal Bolting	Carbon steel
Packing	Acrylic yarn and graphite
Split gland	316SS
<u>TPL</u>	9.5 (ft)
<u>Driver</u>	
Driver manufacturer	US Electric
Driver type	Motor
Driver Base diameter	16.5 (in)
Driver stand	
Driver type	Vertical hollow shaft
Motor enclosure	WPI Prem. Eff.

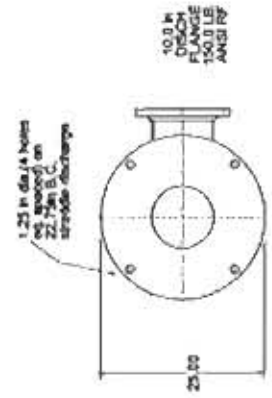
January 26, 2012 (15:08:51 PM)

Driver power	40.0 hp
Motor ph/freq/volts	3/60 Hz/230/460
Mtr Service Factor/Insulation	1.15/F
Driver speed	1800 RPM
Motor frame	324TP

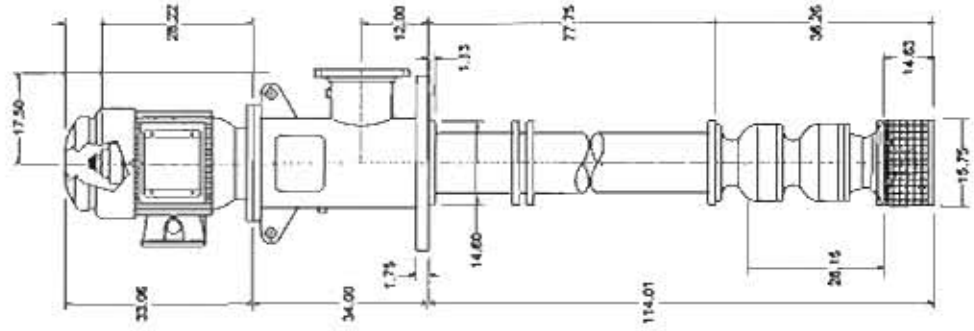
NOTE: x shows that a detail is incompatible



OUTLINE DRAWING



SPIC HEAD



CUSTOMER _____
 P.O. NO. _____
 ITEM NO. ITEM 002
 NO. OF UNITS 1
 PUMP SIZE 14RHM NO. OF STGS. 1
 GPM 2,200.0 GPM T.D.H. 45.0 FT
 LIQUID Water
 SP.GR. 1.000 TEMP. 70.0 DEG F VISC. _____
 COIL SIZE 10.00 IN SHAFT 1.5000 IN DIA.
 CPLG. TYPE THREADED
 COUPLING GUARD YES NO
 DRIVER MFG. US ELECTRIC
 HP 40.0 HP RPM 1800 VSS VHS
 PH. 3 CYCLES 60 HZ VOLTS 230/460
 ENCLOSURE WP1 PREM. FRAME 324TP
 WEIGHT:
 PUMP 1723 LB
 DRIVER 635 LB
 TOTAL 2358 LB

NO.	NOTES
1	T.P.L. (TOTAL PUMP LENGTH) IS THE DISTANCE TO LOWEST PROJECTION ON PUMP ± 1.0
2	TOLERANCE ON ALL DIMENSIONS IS ± .12 OR ± .12 PER 5 FT WHICHEVER IS GREATER. TOLERANCE ON ALL PIPING DIMENSIONS IS AS FOLLOWS: DISCH. NOZZLE FLANGE IS ± .25 AUXILIARY CONNECTIONS ARE ± 1.0 HT - DISTANCE OF DRIVER FACE TO TOP OF HEADSHAFT. ALL DIMENSIONS SHOWN ARE IN INCHES UNLESS OTHERWISE STATED. DRAWING IS NOT TO SCALE. RECOMMENDED DIAMETER RANGE TO CLEAR PUMP, DRAIN AND COLUMN ASSEMBLY IS 16.75 in 1/2" NPT - GAUGE CONN. (PLUGGED)
3	DRIVER MAY BE ROTATED AT 90° INTERVALS ABOUT VERTICAL CENTERLINE. FOR DETAILS REFER TO DRIVER DIMENSION DRAWING.
9	BEFORE STARTING PUMP, IMPELLER MUST BE LIFTED 0.19 in
10	M.A.W.P. DISCH. HEAD, DISCH. SIDE = 40.0 PSI G
11	THIS PUMP ASSEMBLY HAS BEEN DESIGNED SO THAT ITS NATURAL FREQUENCY RESPONSES AVOID THE SPECIFIC OPERATING SPEED (OR SPEEDS) BY AN ADEQUATE SAFETY MARGIN. THE DESIGN HAS ASSUMED THE FOUNDATION TO BE RIGID.

DO NOT USE FOR CONSTRUCTION UNLESS CERTIFIED

CERTIFIED BY _____ DATE 01/28/2012

TITLE OUTLINE MODEL VIT-FFFM
10 x 14RHM 1 STAGES

GOULDS PUMPS S.O. NUMBER _____
 ITT Engineered for life

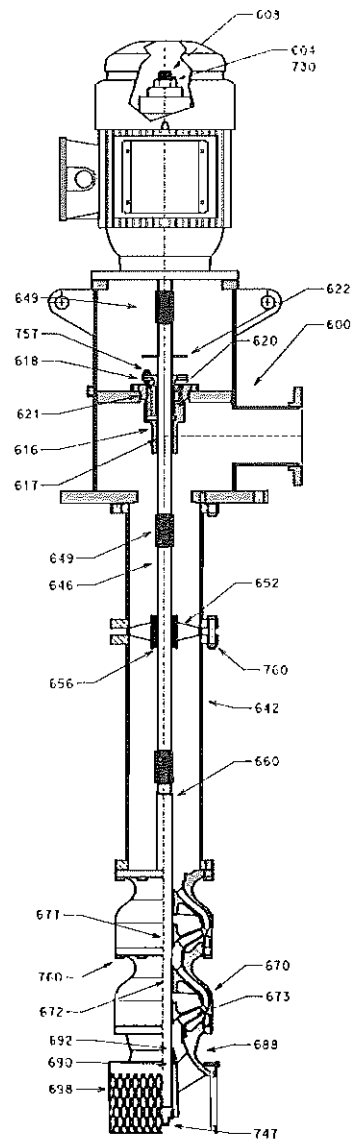
EXHIBIT B

CROSS SECTIONAL DRAWING

Model VIT-FFFM
Size 14RHMC



EXHIBIT B



BILL OF MATERIAL

Discharge Head Assembly

ITEM	PART NAME	CODE	MATERIAL	ASTM#
600	HEAD- DISCHARGE	B05149 B 9845	CARBON STEEL FAB	A53
604	NUT- ADJUSTING	IE191 2242	CARBON STEEL 1018	A108-99
608	HEADSHAFT	2227	SST 416	A582M-95b
616	HOUSING	1003	CAST IRON CL30	A48-94ae1
617	BEARING- HOUSING	1109	FEDERALLOY BISMUTH BRZ	B584-00
618	GLAND- SPLIT	1203	SST 316	A744M-00
620	PACKING	5026	GRAPHITE PACKING	ML402-99
621	O'RING	5302	NITRILE BUNA N	D4322-96
622	SLINGER	5121	RUBBER EPDM	D3568-98
730	KEY- MOTOR GIB	A8442 3 2242	CARBON STEEL 1018	A108-99
757	SCREW -GLAND ADJUSTING	2229	SST 316	A276-00a

Column and Lineshaft Assembly

ITEM	PART NAME	CODE	MATERIAL	ASTM#
642	COLUMN PIPE	9645	CARBON STEEL FAB	A53
646	LINESHAFT	2227	SST 416	A582M-95b
649	LINESHAFT COUPLING	2265	SST 416	A582M-95b
652	RETAINER-BEARING	1003	CAST IRON CL30	A48-94ae1
656	LINESHAFT BEARING	1109	FEDERALLOY BISMUTH BRZ	B584-00

Bowl Assembly

ITEM	PART NAME	CODE	MATERIAL	ASTM#
660	BOWL SHAFT	2227	SST 416	A582M-95b
670	BOWL- INTERMEDIATE	6911	CAST IRON CL30 ENAMEL	A48-94e1
672	BEARING- INT BOWL	1109	FEDERALLOY BISMUTH BRZ	B584-00
673	IMPELLER	1398	SILICON BRONZE C87610	B584-00
677	COLLET- IMPELLER	2242	CARBON STEEL 1018	A108-99
688	BOWL/BELL- SUCTION	1003	CAST IRON CL30	A48-94ae1
690	BEARING- SUCTION	1109	FEDERALLOY BISMUTH BRZ	B584-00
692	SANDCOLLAR	1205	SST 304	A744M-00
698	STRAINER-SUCTION	6913	SST 316 XPND METAL FL	A555-97
747	PLUG-PIPE	1046	MALLEABLE IRON	A197
760	CAPSCREW- HEX	2288	STEEL BOLTING GR 8	J429-99

* Recommended spare parts
Items not illustrated

Service:
End User:
Project No: Orland Water Park
Item No: ITEM 002
Customer P.O. No:
Serial No:
Customer:

DRAWING NO GB12-01-24 01/ITEM 002

Model: VIT-FFFM

Size: 14RHMC

60Hz

RPM: 1770

Stages: 1

EXHIBIT B

Job/Inq.No. : Purchaser :
 End User : Issued by : George Bouch Rev. : 0
 Item/Equip.No. : ITEM 002 Quotation No. : GB12-01-24 01 Date : 01/26/2012
 Service : Setting :
 Order No. : Certified By :

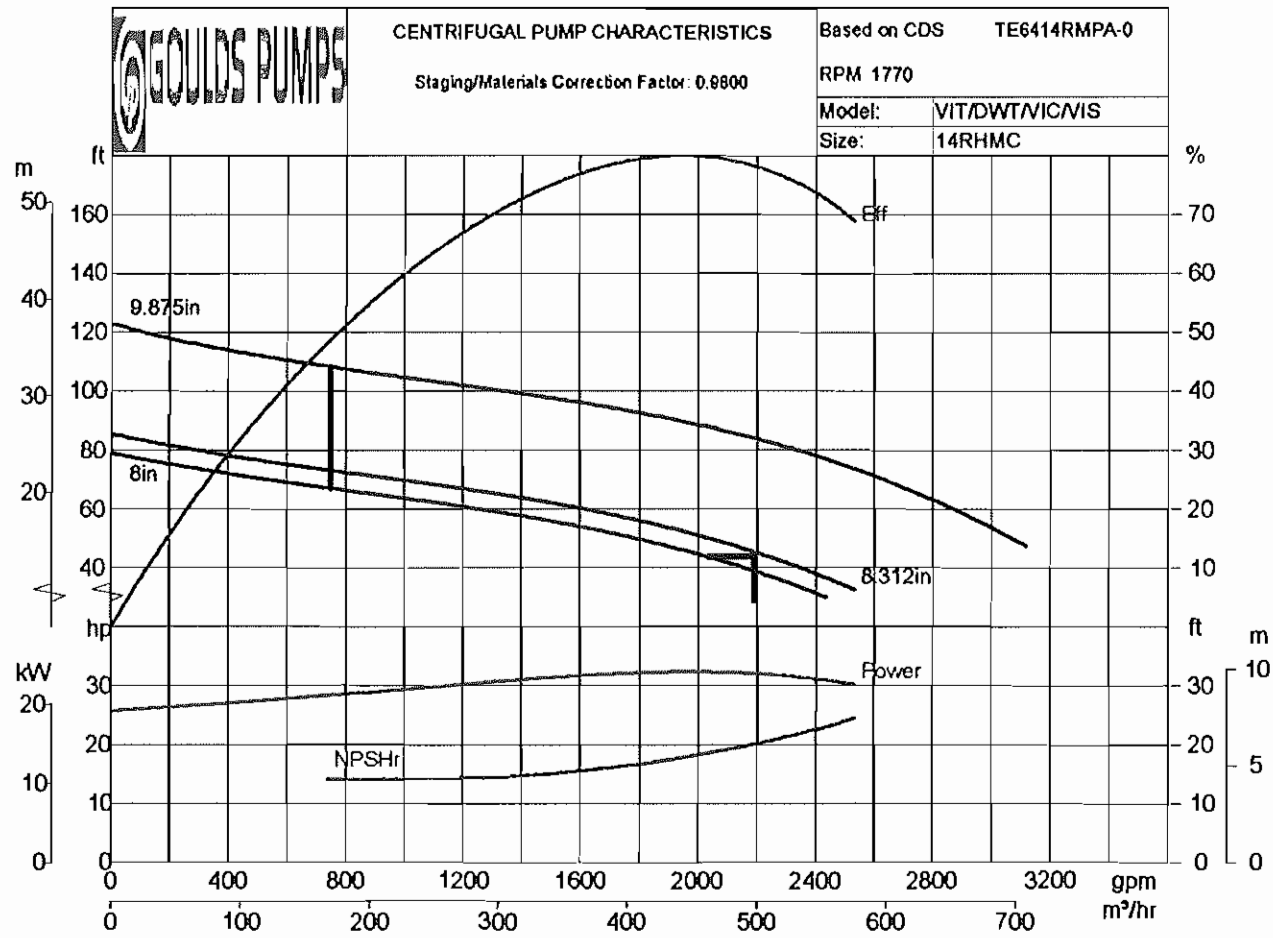
Operating Conditions

Liquid: Water
 Temp.: 70.0 deg F
 S.G./Visc.: 1.000/1.000 cp
 Flow: 2,200.0 gpm
 TDH: 45.0 ft
 NPSHa: 47.8 ft
 Solid size:
 Vapor Press:

Pump Performance

Published Efficiency: 84.1 % Suction Specific Speed: 8,182 gpm(US) ft
 Rated Pump Efficiency: 78.3 % Min. Hydraulic Flow: 746.8 gpm
 Rated Total Power: 31.90 hp Min. Thermal Flow: N/A
 Non-Overloading Power: 32.3 hp Imp. Dia. First 1 Stg(s): 8.3125 in
 Shut off Head: 85.6 ft
 NPSHr: 20.2 ft Max. Solids Size: 1.2500 in
 Bowl Material: Cast iron with glass enamel Thrust K factor: 16.00
 Impeller Material: Bronze

Notes: 1. Bowl Performance Curve based on Pumping Clear, non-Aerated Water. Rated Point only is guaranteed.



Proposal No: GB12-01-24 01
 Item No: ITEM 003

January 26, 2012

MODEL:VIT-FFFM Size:10LHC 1 Stage(s) QTY:1

Operating conditions

SERVICE
 LIQUID Water (70.0 deg F) SP.GR 1.000
 LIQUID TYPE Non Toxic
 CAPACITY 1,200.0 gpm
 RATED HEAD 30.0 ft

Performance at 1760 RPM

BOWL EFFY 79.5% (Cor.0.0%) @design
 PUMP EFFY 72.5% @design
 RUN OUT CAPACITY 1,788.2 (gpm) (Min Req.Submerg. 22.63 (in) @ Run out) (1), (2)
 POWER 12.50 @design, 13.6 @ Shut off, 11.3 @ Run out (hp)
 NPSHr @1st imp. eye 15.3 ft (available NPSH is 48.4 ft at 1st imp. eye)
 TOTAL THRUST 805.8 @ Shut off, 519.8 @design (Lb)
 DISCH. PRESSURE 20.3 psi g @ Shut off, 11.0 psi g @design (at disch. flange)
 MIN. FLOW Continuous Stable: 625.9 gpm Hydraulic: 625.9 gpm Thermal: N/A

(1) for vortex suppression, based on H.I. 1994 Edition
 (2) Min Req.Submerg. 19.51 (in) @ Rated

Materials and Dimensions

BOWL Cast iron with glass enamel standard
 SUCTION BELL Cast iron
 IMPELLER Bronze (Enclosed) taper locked
 IMPELLER DIA 5.8125 (in)
 BOWL SHAFT 416SS 1.6875 (in) diameter
 SUCTION BEARING Bronze
 BOWL BEARINGS Bronze
 STRAINER 316SS (clip on -bell)
 COLUMN Carbon steel 8.00 (in) diam., 8 (ft) long Flanged
 COLUMN SHAFT 416SS, 1.5000 (in) diam. (open) lineshaft sleeve: none
 LINESHAFT BRGS Bronze, 5ft spacing
 LINESHAFT CPLG 416SS, Threaded
 DISCH.HEAD Carbon steel
 HEADSHAFT CPLG 416SS Threaded
 COUPLING GUARD Carbon steel
 DISCH.FLANGE 8 (in) 150# R.F.
 TPL 9.8 (ft)

Sealing Method

PACKING Aerylic yarn and graphite
 PIPING Goulds' standard bypass tubing
 DRIVER FEATURES Steady bushing

Driver : Motor	Vertical hollow shaft	Manufacturer : US Electric
FURNISHED BY	Pump mfg	MOUNTED BY Customer
RATING	15.0 hp	ENCLOSURE WP1 Prem. Eff.
PHASE/FREQ/VOLTS	3/60 Hz/230/460	SPEED 1800 RPM
INSULATION/SF	F/1.15	FRAME/BD 254TPA/16.5 (in)

Weights and Measurements

Total Bowl Weight	246.0 (1b)
Total Column Weight	347.7 (1b)
Discharge Head Weight	573.0 (1b)
Driver Weight	265.0 (1b)
Total Unit Weight	1431.7 (1b)
Boxing Volume	111.3 (ft ³)

Program Version 1.38.0.0

Our offer does not include specific review and incorporation of any Statutory or Regulatory Requirements and the offer is limited to the requirements of the design specifications. Should any Statutory or Regulatory requirements need to be reviewed and incorporated then the Customer is responsible to identify those and provide copies for review and revision of our offer.

Our quotation is offered in accordance with our comments and exceptions identified in our proposal.

Customer is responsible for verifying that the recommendations made and the materials selected are satisfactory for the Customer's intended environment and Customer's use of the selected pump. Customer is responsible for determining the suitability of Goulds Pumps' recommendations for all operating conditions within Customer's and/or End User's control. Goulds Pumps disclaims all warranties, express or implied, including, but not limited to, warranties of merchantability and fitness for a particular purpose.

ITT does not guarantee any pump intake configuration. The hydraulic and structural adequacies of these structures are the sole responsibility of the Customer or his representatives. Further, ITT accepts no liability arising out of unsatisfactory pump intake field operating conditions.

The Customer or his representatives are referred to the Hydraulic Institute Standards for recommendations on pump intake design. To optimize the hydraulic design of a field pump intake configuration, the Customer should strongly consider performing a detailed scale model pump intake study. However, the adequacies of these recommendations are the sole responsibility of the Customer.

Material and Construction Details

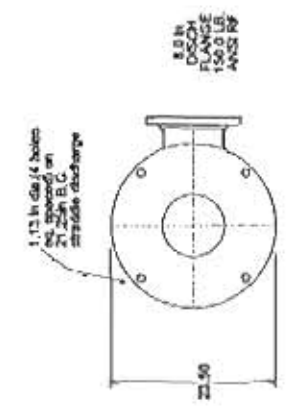
<u>Model</u>	VIT-FFFM
<u>Bowl 10LHC</u>	
Bowl	Cast iron with glass enamel
Impeller	Bronze
Shaft material	416SS
Wear rings - bowl	None
Wear rings - impeller	None
Bowl bearing	Bronze
Suction bearing	Bronze
Impeller lock method	Taper lock
Impeller collet material	Carbon steel
Impeller type	Enclosed
Suction material	Cast iron
Sand collar	304SS
Cap screws	Carbon steel
Strainer material	316SS (clip on -bell)
<u>Column</u>	
Column type	Flanged
Column material	Carbon steel
Column shaft material	416SS
Line shaft coupling type	Threaded
Column bolting	Carbon Steel
Lineshaft brg type	Bronze
Column bearing retainer	Cast Iron
<u>Discharge head</u>	
Disch.head material	Carbon steel
Disch.head Bolting	Carbon steel
Head shaft sleeve material	None
Drive shaft	416SS
Head shaft coupling	416SS Threaded
Coupling guard	Carbon steel
Stuffing box	Cast iron
St.box/Seal housing bearing	Bronze
Seal Bolting	Carbon steel
Packing	Aerylie yarn and graphite
Split gland	316SS
<u>TPL</u>	9.8 (ft)
<u>Driver</u>	
Driver manufacturer	US Eleetric
Driver type	Motor
Driver Base diameter	16.5 (in)
Driver stand	
Driver type	Vertical hollow shaft
Motor enclosure	WP1 Prem. Eff.

January 26, 2012 (15:08:59 PM)

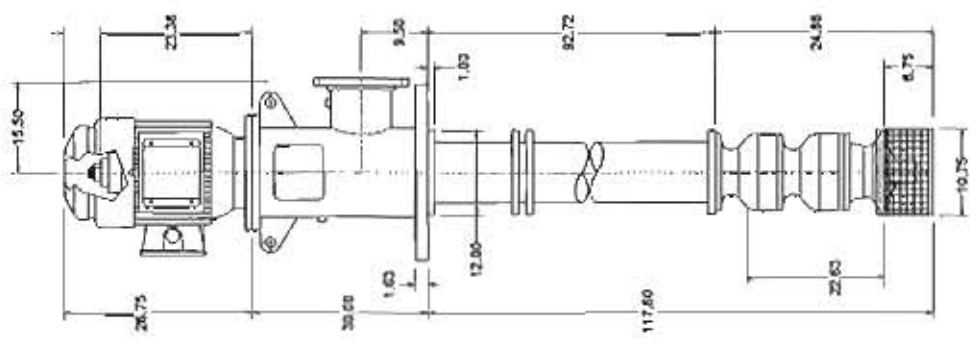
Driver power	15.0 hp
Motor ph/freq/volts	3/60 Hz/230/460
Mtr Service Factor/Insulation	1.15/F
Driver speed	1800 RPM
Motor frame	254TPA

NOTE: x shows that a detail is incompatible

OUTLINE DRAWING



8176 P-10



CUSTOMER _____
 P.O. NO. _____
 ITEM NO. ITEM 003
 NO. OF UNITS 1
 PUMP SIZE 10LHC NO. OF STGS. 1
 GPM 1,200.0 GPM T.D.H. 30.0 FT
 LIQUID Water
 SP. OR. 1,000 TEMP. 70.0 DEG F VISC. _____
 COL. SIZE 8.00 IN SHAFT 1.5000 IN DIA.
 CPLG. TYPE THREADED
 COUPLING GUARD YES NO
 DRIVER MFG. US ELECTRIC
 HP 15.0 HP RPM 1800 VSS VHS
 PH. 3 CYCLES 60 HZ VOLTS 230/460
 ENCLOSURE WP1 PREM. FRAME 254TP
 EFF. _____ A _____
 WEIGHT:
 PUMP 1167 LB
 DRIVER 265 LB
 TOTAL 1432 LB

NO.	NOTES
1	T.P.L. (TOTAL PUMP LENGTH) IS THE DISTANCE TO LOWEST PROJECTION ON PUMP ± 1.0
2	TOLERANCE ON ALL DIMENSIONS IS ± .12 OR ± .12 PER 5 FT WHICHEVER IS GREATER. TOLERANCE ON ALL PIPING DIMENSIONS IS AS FOLLOWS: DISCH. NOZZLE FLANGE IS ± .25 AUXILIARY CONNECTIONS ARE ± 1.0
3	HT - DISTANCE OF DRIVER FACE TO TOP OF HEADSHAFT.
4	ALL DIMENSIONS SHOWN ARE IN INCHES UNLESS OTHERWISE STATED.
5	DRAWING IS NOT TO SCALE.
6	RECOMMENDED DIAMETER RANGE TO CLEAR PUMP, DRAIN AND COLUMN ASSEMBLY IS 13.0 in
7	1/2" NPT - GAUGE CONN. (PLUGGED)
8	DRIVER MAY BE ROTATED AT 90° INTERVALS ABOUT VERTICAL CENTERLINE. FOR DETAILS REFER TO DRIVER DIMENSION DRAWING.
9	BEFORE STARTING PUMP, IMPELLER MUST BE LIFTED 0.12 in
10	M.A.W.P. DISCH. HEAD, DISCH. SIDE = 24.2 PSI G
11	THIS PUMP ASSEMBLY HAS BEEN DESIGNED SO THAT ITS NATURAL FREQUENCY RESPONSES AVOID THE SPECIFIC OPERATING SPEED (OR SPEEDS) BY AN ADEQUATE SAFETY MARGIN. THE DESIGN HAS ASSUMED THE FOUNDATION TO BE RIGID.

DO NOT USE FOR CONSTRUCTION UNLESS CERTIFIED

CERTIFIED BY _____ DATE 01/26/2012

TITLE OUTLINE MODEL VIT-FFFM
8 x 10LHC 1 STAGES

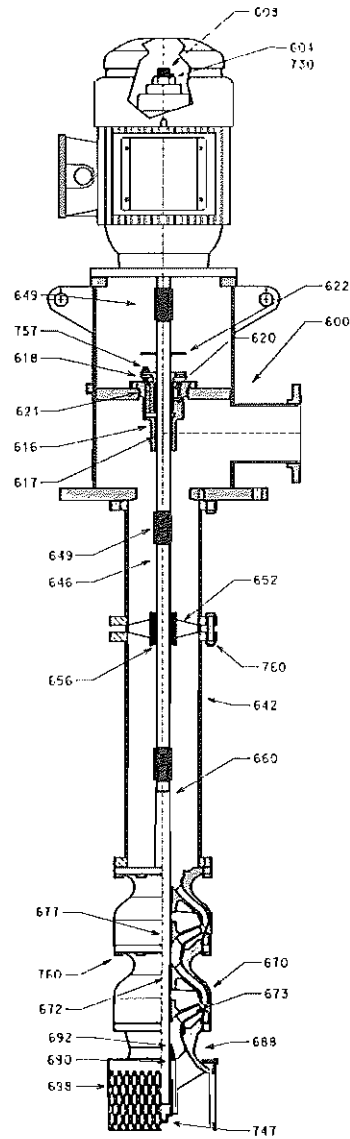
ITT GOULDS PUMPS S.O. NUMBER
 Engineered for life

CROSS SECTIONAL DRAWING

Model VIT-FFFM
Size 10LHC



EXHIBIT B



BILL OF MATERIAL				
Discharge Head Assembly				
ITEM	PART NAME	CODE	MATERIAL	ASTM#
600	HEAD- DISCHARGE	B05147 B 9645	CARBON STEEL FAB	A53
604	NUT- ADJUSTING	IE191 2242	CARBON STEEL 1018	A108-99
608	HEADSHAFT	2227	SST 416	A582M-95b
616	HOUSING	1003	CAST IRON CL30	A48-94ae1
617	BEARING- HOUSING	1109	FEDERALLOY BISMUTH BRZ	B584-00
618	GLAND- SPLIT	1203	SST 316	A744M-00
620	PACKING	5026	GRAPHITE PACKING	ML402-99
621	O'RING	5302	NITRILE BUNA N	D4322-96
622	SLINGER	5121	RUBBER EPDM	D3568-98
730	KEY- MOTOR GIB	A8442.3 2242	CARBON STEEL 1018	A108-99
757	SCREW -GLAND ADJUSTING	2229	SST 316	A276-00a
Column and Lineshaft Assembly				
ITEM	PART NAME	CODE	MATERIAL	ASTM#
642	COLUMN PIPE	9645	CARBON STEEL FAB	A53
646	LINESHAFT	2227	SST 416	A582M-95b
649	LINESHAFT COUPLING	2265	SST 416	A582M-95b
652	RETAINER-BEARING	1003	CAST IRON CL30	A48-94ae1
656	LINESHAFT BEARING	1109	FEDERALLOY BISMUTH BRZ	B584-00
Bowl Assembly				
ITEM	PART NAME	CODE	MATERIAL	ASTM#
660	BOWL SHAFT	2227	SST 416	A582M-95b
670	BOWL- INTERMEDIATE	6911	CAST IRON CL30 ENAMEL	A48-94e1
672	BEARING- INT BDWL	1109	FEDERALLOY BISMUTH BRZ	B584-00
673	IMPELLER	1398	SILICON BRONZE C87810	B584-00
677	COLLET- IMPELLER	2242	CARBON STEEL 1018	A108-99
688	BOWL/BELL- SUCTION	1003	CAST IRON CL30	A48-94ae1
690	BEARING- SUCTION	1109	FEDERALLOY BISMUTH BRZ	B584-00
692	SANDCOLLAR	1205	SST 304	A744M-00
698	STRAINER-SUCTION	6913	SST 316 XPND METAL FL	A555-97
747	PLUG-PIPE	1046	MALLEABLE IRON	A197
760	CAPSCREW- HEX	2298	STEEL BOLTING GR 8	J429-99

Service:
End User:
Project No: Orland Water Park
Item No: ITEM 003
Customer P.O. No:
Serial No:
Customer:
DRAWING NO GB12-01-24 01/ITEM 003

* Recommended spare parts
Items not illustrated

Model: VIT-FFFM	Size: 10LHC	60Hz	RPM: 1760	Stages: 1
-----------------	-------------	------	-----------	-----------

EXHIBIT B

Job/Inq.No. :	Purchaser :	
End User :	Issued by : George Bouch	Rev. : 0
Item/Equip.No. : ITEM 003	Quotation No. : GB12-01-24 01	Date : 01/26/2012
Service :	Setting :	
Order No. :	Certified By :	

Operating Conditions		Pump Performance	
Liquid:	Water	Published Efficiency:	79.5 %
Temp.:	70.0 deg F	Suction Specific Speed:	8,260 gpm(US) ft
S.G./Visc.:	1.000/1.000 cp	Rated Pump Efficiency:	72.5 %
Flow:	1,200.0 gpm	Rated Total Power:	12.50 hp
TDH:	30.0 ft	Non-Overloading Power:	13.7 hp
NPSHa:	48.4 ft	Shut off Head:	51.7 ft
Solid size:		NPSHr:	15.3 ft
Vapor Press:		Bowl Material:	Cast iron with glass enamel
		Impeller Material:	Bronze
		Thrust K factor:	14.00

Notes: 1. Bowl Performance Curve based on Pumping Clear, non-Aerated Water. Rated Point only is guaranteed.

