

SUNNY PINE PARK

13701 88TH AVENUE
ORLAND PARK, IL 60462

DRAWING INDEX

- A1 SITE PLAN & DETAILS
- A2 PLAY EQUIPMENT PLAN & GENERAL SPECIFICATIONS
- A3 TOPOGRAPHIC SURVEY

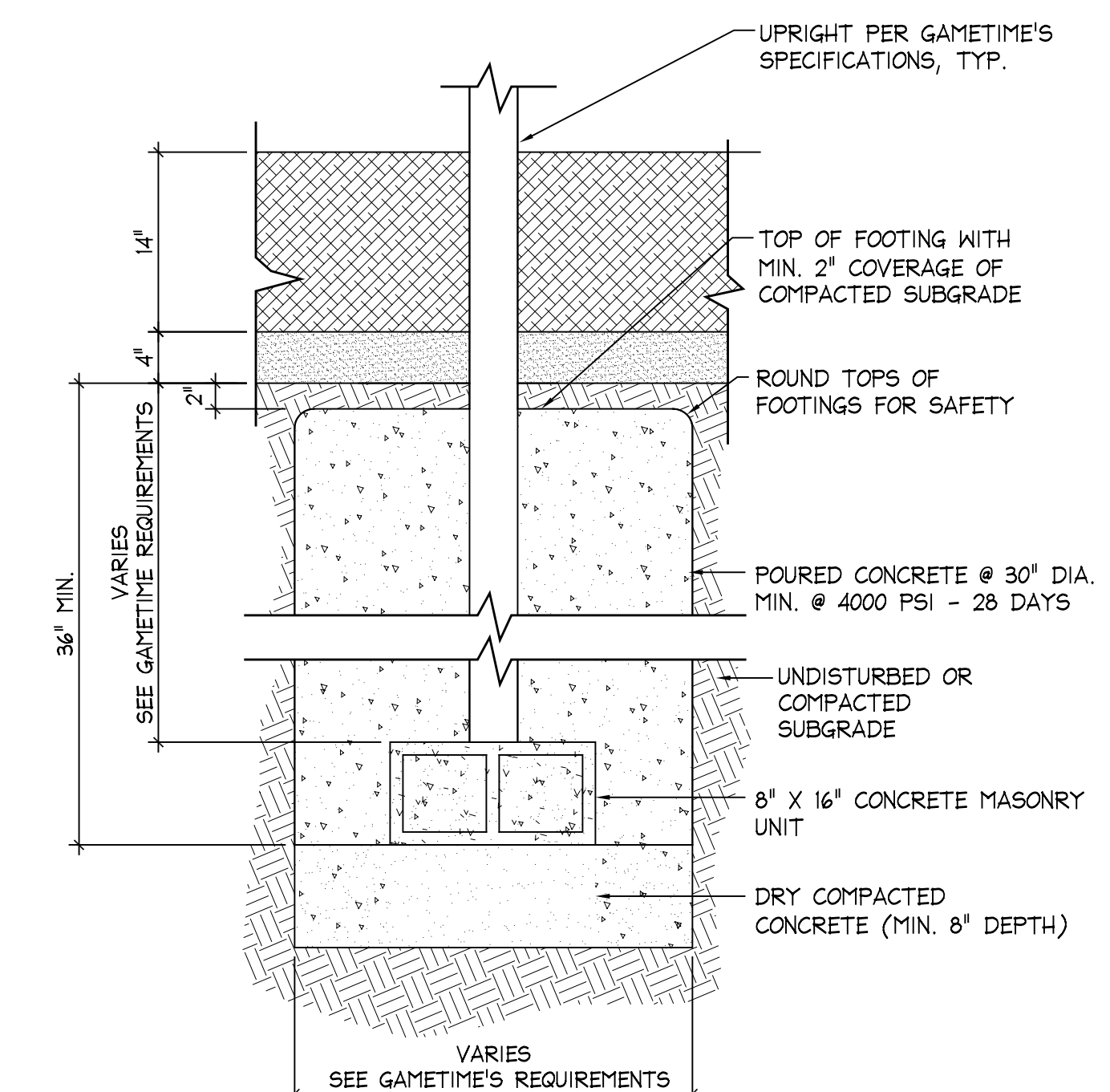
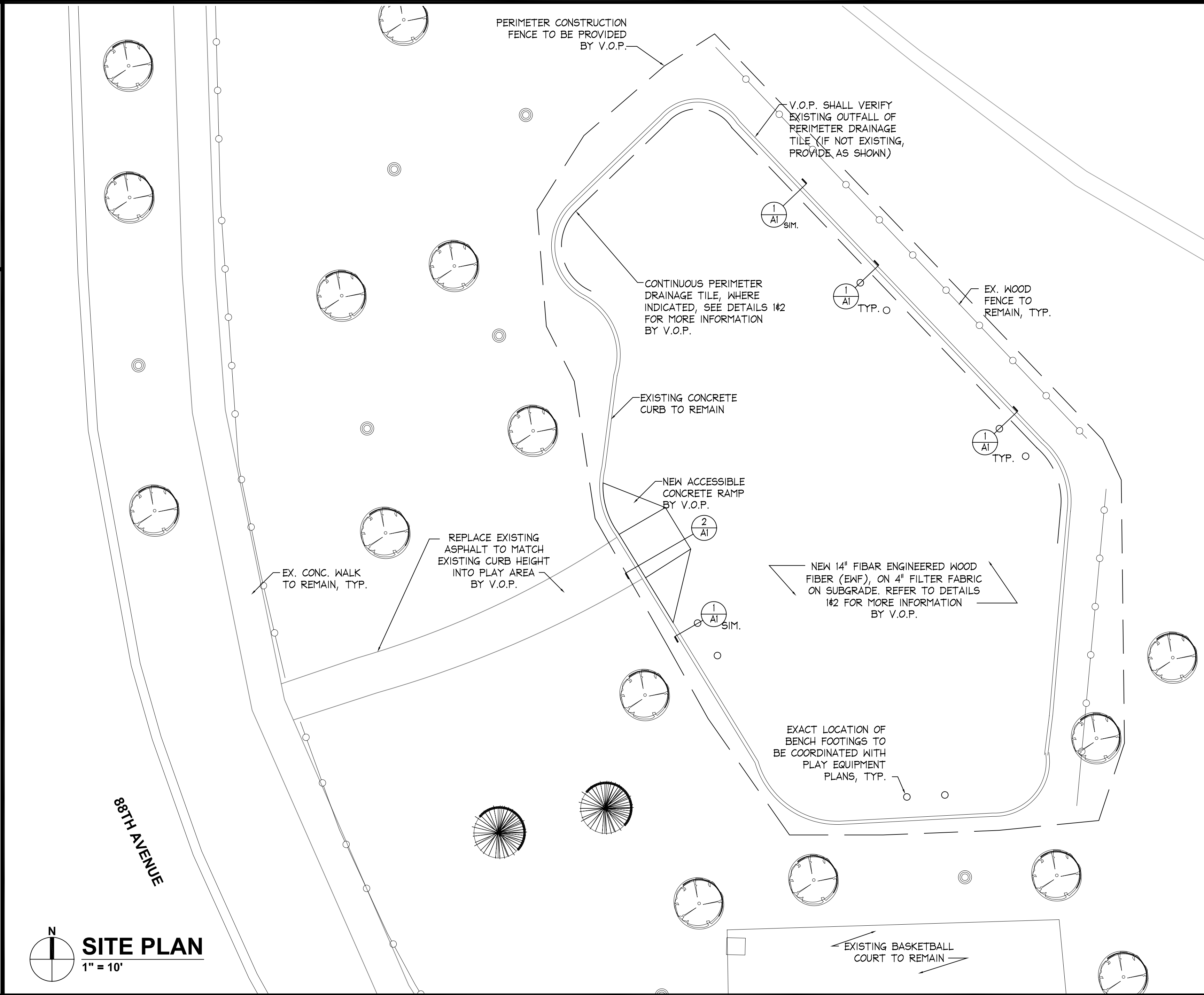
V.O.P. - REFERS TO OWNER (VILLAGE OF ORLAND PARK OR OTHERS RETAINED BY VILLAGE AS NOTED)

CONTRACTOR - REFERS TO THE COMPANY THAT IS SELECTED TO INSTALL THE PLAYGROUND EQUIPMENT BY V.O.P. THROUGH THE PUBLIC BIDDING PROCESS

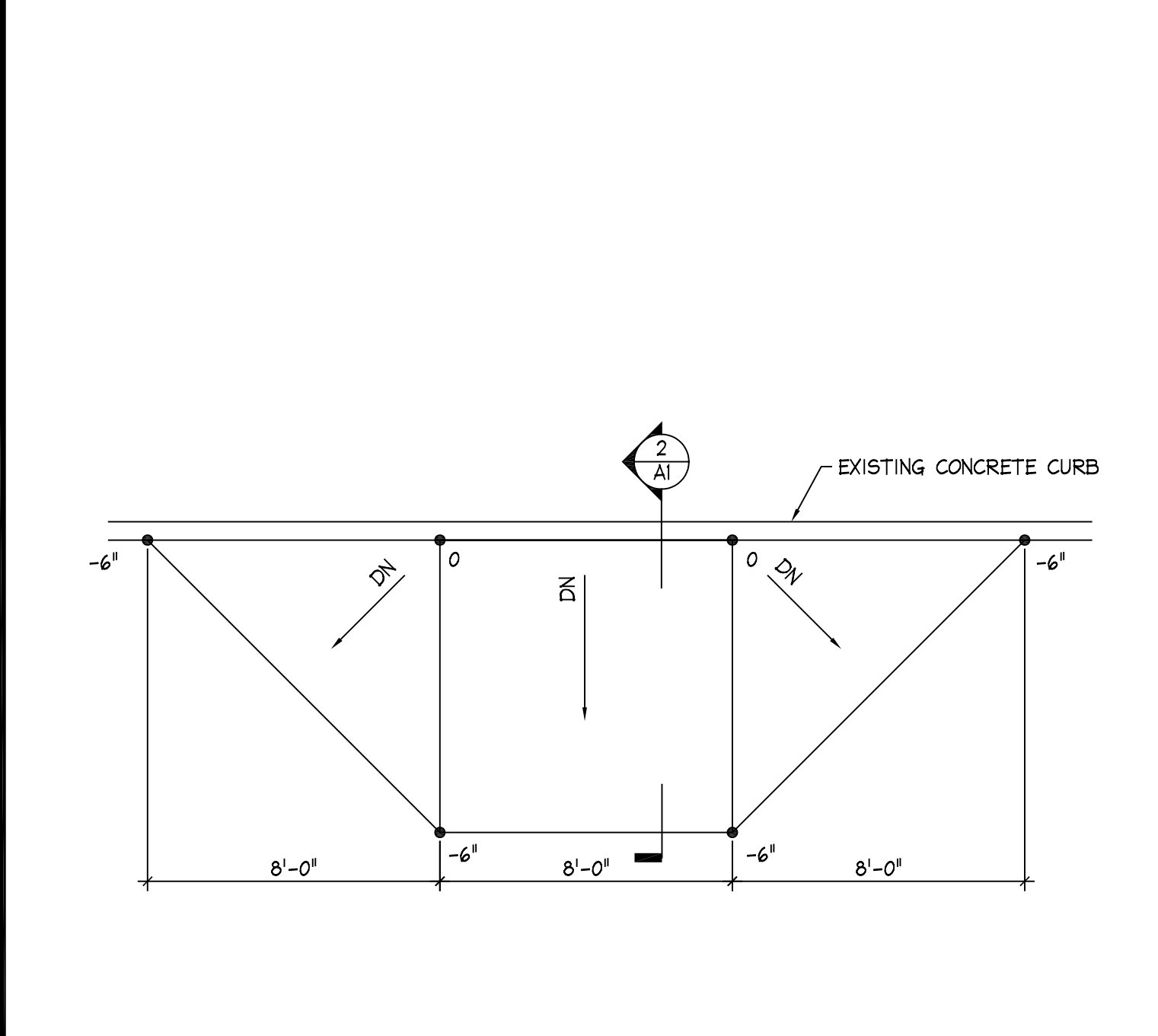
GENERAL NOTES:

1. DRAIN PIPE INDICATED ON BOTH SITE PLAN AND SURVEY FOR REFERENCE.
2. TOP OF FOOTINGS FOR ALL PLAYGROUND EQUIPMENT SHALL BE APPROXIMATELY 2 INCHES BELOW THE SUB-GRADE (i.e. UNDISTURBED SOILS) THIS IS APPROXIMATELY 18" BELOW THE PROPOSED TOP OF FIBAR MULCH.
3. THE CONTRACTOR SHALL INSTALL PLAYGROUND EQUIPMENT IN ACCORDANCE WITH THESE DRAWINGS AND DRAWINGS / SPECIFICATIONS PROVIDED BY CUNNINGHAM RECREATION, AUTHORIZED AGENT OF GAMETIME, CONTACT CUNNINGHAM RECREATION FOR COMPLETE COPY OF THEIR INFORMATION.
4. THE SITE SHALL BE PREPARED BY V.O.P. TO RECEIVE THE PLAYGROUND INSTALLATION.
5. V.O.P. SHALL REMOVE AND REPLACE EXISTING ASPHALT PATH AND INSTALL NEW CONCRETE RAMP PRIOR TO CONTRACTOR'S INSTALLATION OF PLAYGROUND EQUIPMENT FOOTINGS.
6. V.O.P. SHALL INSTALL PARK BENCH FOOTINGS AND BENCHES PRIOR TO CONTRACTOR'S INSTALLATION OF PLAYGROUND EQUIPMENT.
7. FIBAR MULCH, PERIMETER DRAINTILE, AND PEA GRAVEL SHALL BE INSTALLED BY V.O.P. AFTER PLAYGROUND EQUIPMENT FOOTINGS ARE ALL COMPLETE AND IN PLACE.

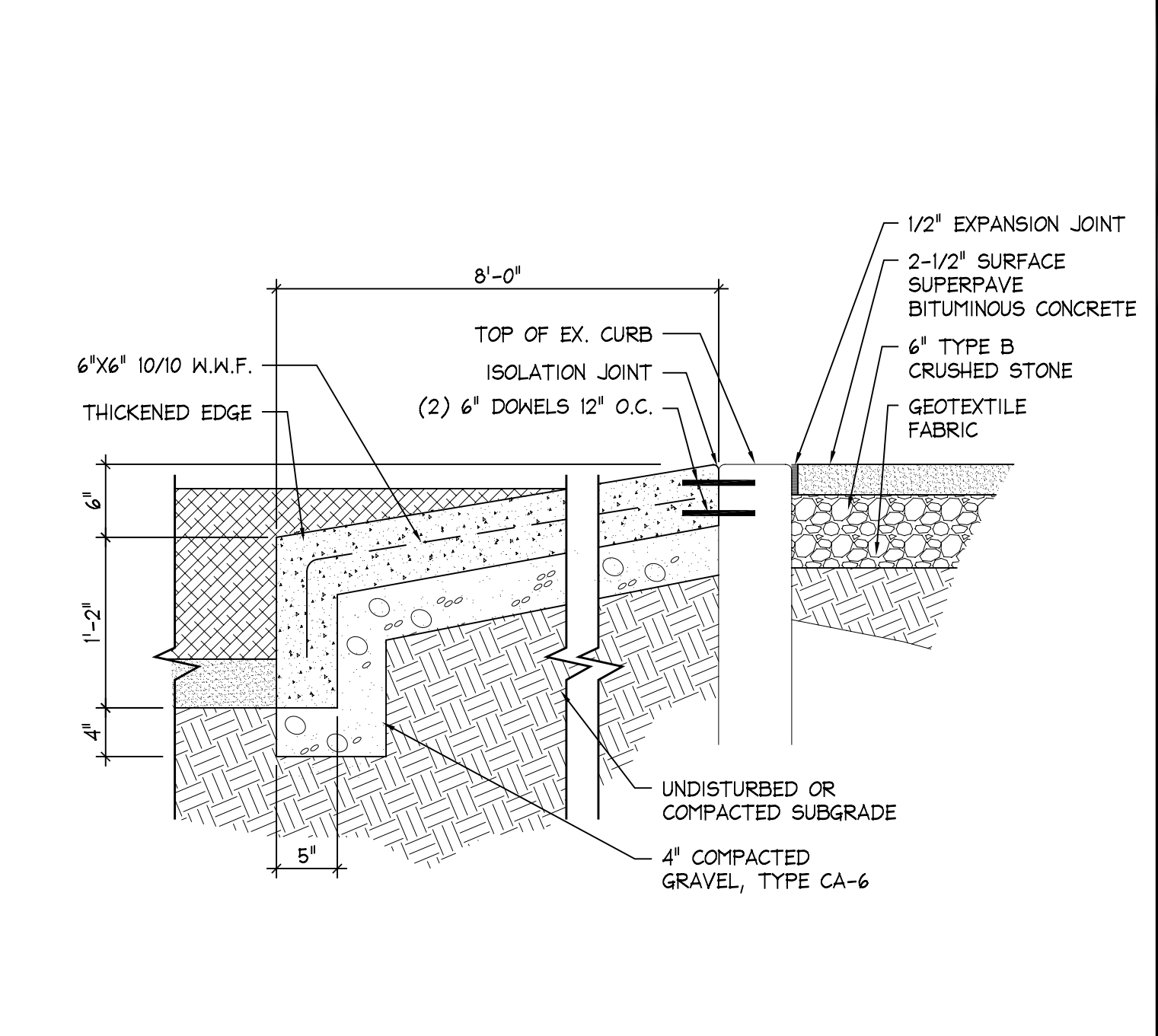
SITE PLAN
1" = 10'



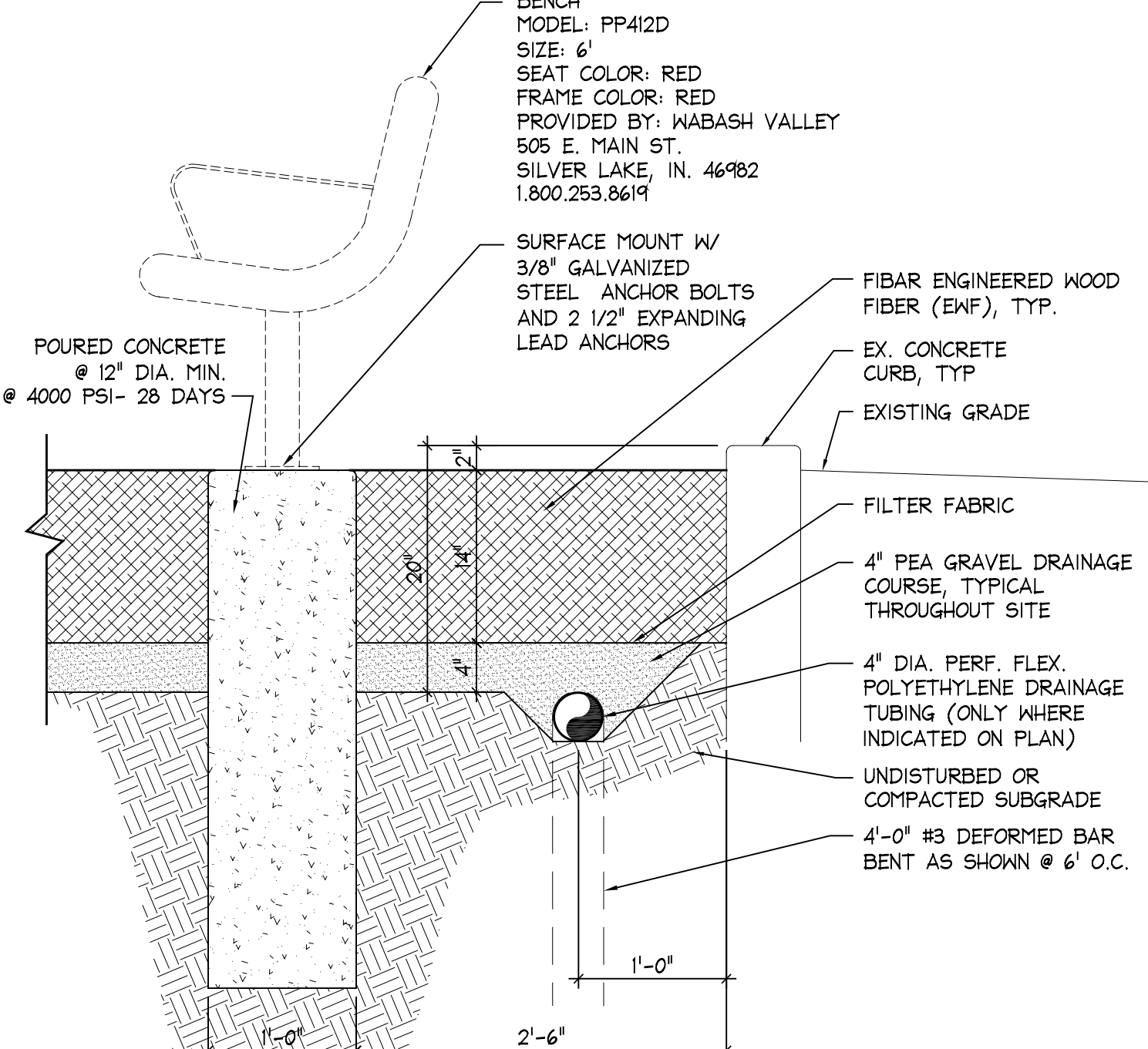
04 UPRIGHT FOOTING DETAIL, TYP.
1"=1'-0"
(BY CONTRACTOR)



03 ACCESSIBLE RAMP PLAN
1/4"=1'-0"
(BY V.O.P.)



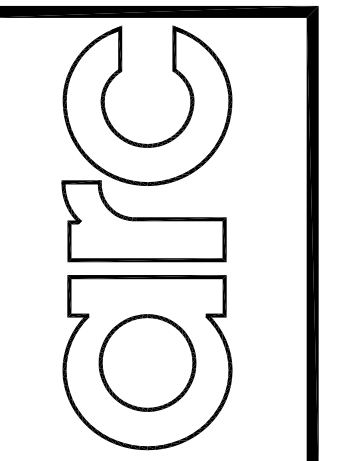
02 ACCESSIBLE RAMP DETAIL
1"=1'-0"
(BY V.O.P.)



01 DRAINAGE AND BENCH FOOTING DTL
1"=1'-0"
(BY V.O.P.)

NO.	DATE	REVISION

architectural resource corporation
ARCHITECTS • INTERIOR DESIGNERS • PLANNERS • CONSTRUCTION MANAGERS
10075 W. LINCOLN HIGHWAY • FRANKFORD, ILLINOIS 60423 • (708) 349-1225
DESIGN FIRM #: 184-000518



SITE PLAN & DETAILS
SUNNY PINE PARK
VILLAGE OF ORLAND PARK
13701 88TH AVENUE
ORLAND PARK, IL 60462

PROJECT NO. 1222A
DATE 09/18/2012
© ARC 2012

A1

ARCHITECTURAL RESOURCE CORPORATION RESERVES COPYRIGHT & OTHER RIGHTS RESTRICTING THESE DOCUMENTS TO THE ORIGINAL SITE OR PURPOSE FOR WHICH THEY WERE PREPARED. REPRODUCTIONS, CHANGES, OR ASSIGNMENTS ARE PROHIBITED.

ARCHITECTURAL RESOURCE CORPORATION RESERVES COPYRIGHT & OTHER RIGHTS RESTRICTING THESE DOCUMENTS TO THE ORIGINAL SITE OR PURPOSE FOR WHICH THEY WERE PREPARED. REPRODUCTIONS, CHANGES, OR ASSIGNMENTS ARE PROHIBITED.

GENERAL SPECIFICATIONS

SITE IMPROVEMENTS

PART I - GENERAL

1.01 DESCRIPTION

These general requirements and outline specifications are intended to apply to all parties providing, supplying and/or installing any work or component at the project site as may be applicable to its respective scope of work.

The work of the Contractor is limited to installing the playground equipment and associated concrete footings. The work of the Village of Orland Park includes preparing the site to receive playground equipment and footings as well as completing associated complimentary work, including but not limited to Fiber mulch, asphalt path, drain tile, benches, concrete ramp.

This work includes, but is not limited to, furnishing and transporting all materials, labor and equipment necessary for:

1. Scheduling and coordinating delivery of playground equipment and swingset.
2. Installation of manufactured and constructed metal and plastic playground equipment.
3. Installation of the swing sets.
4. Installation of shredded hardwood resilient playground safety surfaces.
5. Furnishing and installation of benches.

All in accordance with these Special Provisions, as shown on the plans, and to the satisfaction of the Owner.

1.02 RELATED WORK IN OTHER SECTIONS

1. Work performed under this section is subject to all the provisions of the Village of Orland Park "Instructions to Bidders", "Bid Proposal Form", "General Conditions", and "Supplementary Conditions" and these technical specifications. All work in this and other contracts shall be coordinated by the respective contractors.
2. Site Excavation and Earthwork as indicated or reasonably required to achieve the details indicated.
3. Paving and Surfacing as indicated.
4. Storm Drainage as indicated.

PART II - PRODUCTS

2.01 - MATERIALS

A. Concrete

1. All concrete for the slabs, curbs, equipment, materials and footings specified on the plans and herein shall conform to the following:
 - a. Portland cement shall be ASTM C-150 Type 1.
 - b. All concrete aggregates shall be hard, sound, uncoated particles and shall conform to ASTM C-33 and AASHTO M43. Coarse aggregate shall be gravel or crushed rock ranging in size from 1/4" to 1" and evenly graded and mixed. The stone or gravel shall be free from clay or other foreign substance. Fine aggregates shall be clean, sharp, coarse torpedo sand, free from clay, loam, or any other foreign substance.
 - c. Water shall be fresh, clean, potable, and free from injurious amounts of mineral and organic substances.

2. The design mix for all concrete shall have a compression strength of 4000 p.s.i. in 28 days, and shall be a minimum of five (5) bags of cement per cubic yard of concrete with a maximum of six (6) gallons of water to one (1) bag of cement. Concrete for flatwork shall have a minimum slump of two (2) inches and a maximum of four (4) inches.

3. Concrete shall have a minimum air entrainment of 5% to 7% and admixture per ASTM C260, and contain an approved water-reducing admixture per ASTM C494.

4. All concrete material cost, footings and labor, shall be considered incidental to all applicable items specified herein.

5. Provide delivery tickets for all concrete. Do not change sources, brand, or mixtures of concrete during the course of the work. Maintain records of each pour, including time, weather conditions, and removal of forms for each portion of the work.

6. **QUALITY ASSURANCE:** Materials and methods of testing shall comply with the following standards: 1)ASTM, 2)American Concrete Institute.

B. Reinforcing Steel

1. All reinforcing steel shall comply with ASTM A615, grade 60, and Section 1006 of the Standard Specifications.

C. Playground Equipment and warranties

1. Owner shall purchase playground equipment. Contractor shall be responsible for scheduling and coordinating delivery of playground equipment to the site. Contractor is responsible for taking delivery and protection of playground materials. Damage to materials after receipt shall be the responsibility of the Contractor.
2. All equipment shall be installed either surface mounted on concrete or concrete footings as shown in the drawings, with stainless steel or galvanized bolts and lead anchors, or embedded in concrete footings as shown in the drawings or as noted in these specifications, and in accordance with drawings and specification provided by Cunningham Recreation. Contractor is fully responsible for notifying Architect and Owner of any conflicting information, any condition that adversely affects the quality or appearance of the work. Proceeding with the Work means Contractor is accepting all conditions encountered at the project site.
3. Swings: See materials list at the end of this section and drawings and specifications provided by Cunningham Recreation.
4. Playground Equipment: See materials list at the end of this section and specifications provided by Cunningham Recreation.

D. Wood Fiber Playground Surfacing

1. The drainage fabric shall be a nonwoven polyester fabric, 4 oz./sq. yard minimum weight, manufactured for drainage applications such as Amaco's "Propex 4545", Trevira "1114", or Phillips 66's "Supac 4NP" drainage fabric or "approved equal".
2. The drainage stone shall be 2" washed limestone aggregate, grade CA-7, or 3/8" pea gravel.
3. The wood fiber playground surfacing shall be Fiber Engineered Wood Fiber as manufactured by The Fiber Group, LLC, 80 Business Park Drive, Armonk NY 10504 (ph: 1-800-342-2721) or approved equal.
4. The Contractor shall submit to the owner product information, product data, and samples of all materials for approval prior to use.

E. Site Furnishings

1. Benches by Village of Orland Park - see plans for manufacturer and model.

PART III EXECUTION

3.01 INSTALLATION OF MANUFACTURED PLAYGROUND EQUIPMENT AND OTHER SITE AMENITIES

A. Playground Equipment

1. The playground equipment shall be installed true, level, and plumb in the field in accordance with manufacturer's instructions and according to ASTM / CPSC guidelines. Submittal of shop drawings (by either Contractor or Manufacturer) is required before proceeding with any installation. Contractor shall be responsible for all concrete, excavation and removal, assembly, and custom fabrication required.
1. All equipment shall be installed to the approval of the owner's agent and manufacturer's representatives.
2. Any equipment installed in violation of ASTM / CPSC spacing and fall zone requirements shall be removed and reinstalled at the contractor's expense.
3. All footings shall be poured concrete of the dimensions as recommended by the manufacturer and shall be poured upon undisturbed or compacted subsoil capable of supporting 2000 lbs./square foot. Poured concrete footings shall be installed to a minimum depth of 3'-6" below the finished grade or as indicated on drawings, whichever is greater. Tops of footings shall be installed 2" below the bottom of the shredded hardwood resilient surfacing and associated pea gravel drainage course with rounded tops for safety.

B. Basis of Payment

The work of the Contractor shall be paid for at the contract Lump Sum Price, which price shall include submittal of all required shop drawings (by either Contractor or Manufacturer). If required to affect the completion of the installation, Contractor shall also include carpentry, lumber, concrete footings, excavation, and removal of material, and all other materials, labor, and equipment necessary to install the equipment to the satisfaction of the owner, in the manner intended for use.

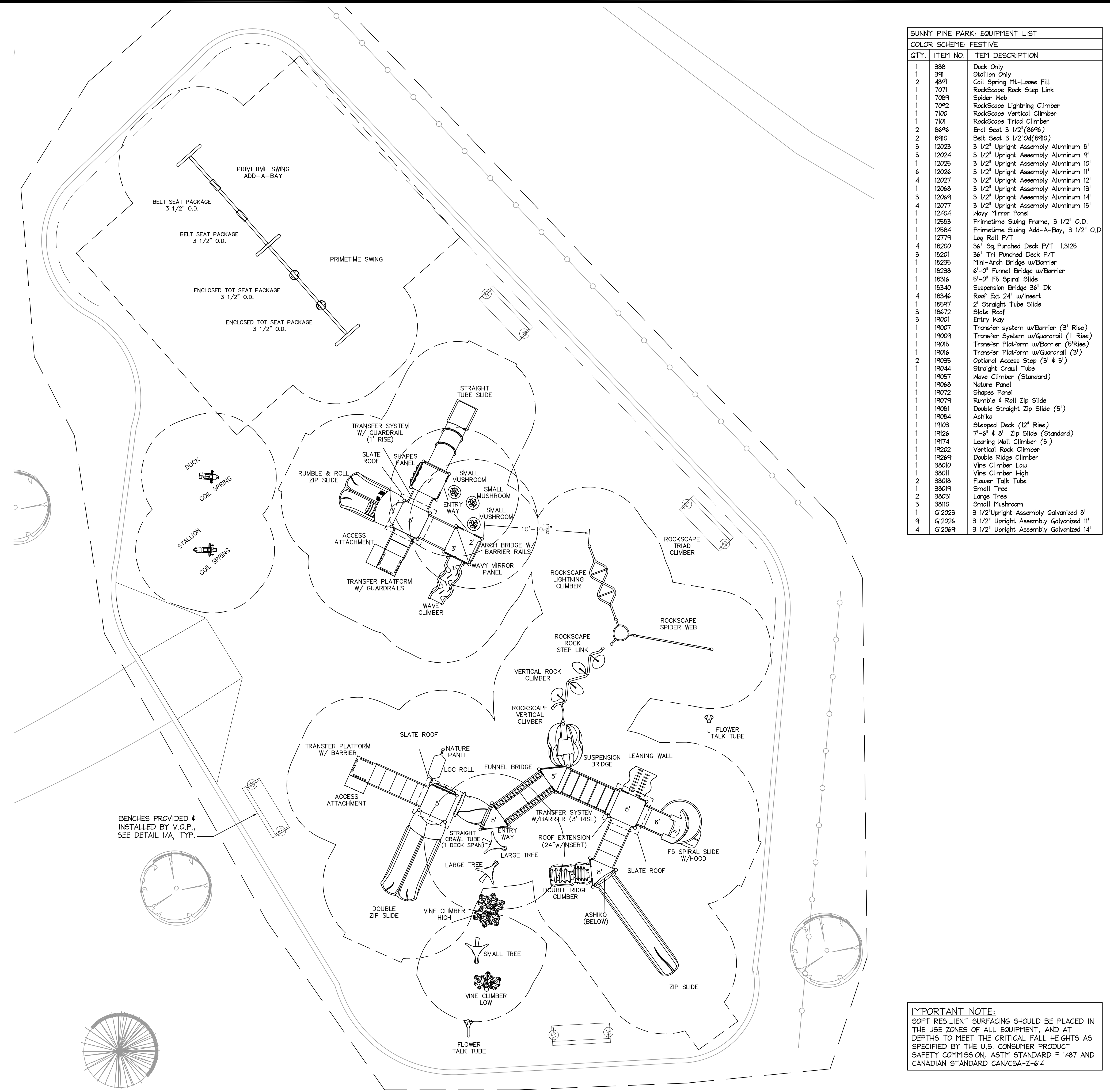
3.02 INSTALLATION OF WOOD FIBER PLAYGROUND SURFACING

A. Required Prior Work

Prior to commencing installation of shredded hardwood resilient surfacing, all required concrete and retaining edges, drainage, concrete unit retaining walls, and play equipment installation shall be completed and approved by the Owner.

B. Wood Fiber Playground Surfacing

1. Village of Orland Park shall grade and compact subgrade to the grades as shown on the plans. All loose dirt and rutting shall be repaired and subbase approved prior to installation of drainage layer.
2. Village of Orland Park shall install a layer of fabric with 18" minimum overlap as shown. The seam and the entire fabric area shall be taped with duct tape and temporarily held in place while the shredded hardwood resilient surfacing is progressively installed. Staples or pins shall not be used, as they may be injurious to playground users.
3. After approval of fabric and wood fiber playground surfacing samples. After allowing four weeks for settlement, Village of Orland Park shall "top off" the shredded hardwood resilient surfacing to achieve a final depth of 14" compacted.



SUNNY PINE PARK: EQUIPMENT LIST		
COLOR SCHEME: FESTIVE		
QTY.	ITEM NO.	ITEM DESCRIPTION
1	388	Duck Only
1	391	Stallion Only
2	4891	Coil Spring Mt-Loose Fill
1	7071	RockScope Rock Step Link
1	7089	Spider Web
1	7092	RockScope Lightning Climber
1	7100	RockScope Vertical Climber
1	7101	RockScope Triad Climber
2	8646	Encl Seat 3 1/2"(8646)
2	8910	Belt Seat 3 1/2"(8910)
3	12023	3 1/2" Upright Assembly Aluminum 8'
5	12024	3 1/2" Upright Assembly Aluminum 9'
1	12025	3 1/2" Upright Assembly Aluminum 10'
6	12026	3 1/2" Upright Assembly Aluminum 11'
4	12027	3 1/2" Upright Assembly Aluminum 12'
1	12068	3 1/2" Upright Assembly Aluminum 13'
3	12069	3 1/2" Upright Assembly Aluminum 14'
4	12077	3 1/2" Upright Assembly Aluminum 15'
1	12494	Wave Mirror Panel
1	12583	Primetime Swing Frame, 3 1/2" O.D.
1	12584	Primetime Swing Add-A-Bay, 3 1/2" O.D.
1	12779	Log Roll P/T
4	18200	36" Sq Punched Deck P/T 1.3125
3	18201	36" Tri Punched Deck P/T
1	18235	Mini-Arch Bridge w/Barrier
1	18238	6'-0" Funnel Bridge w/Barrier
1	18316	5'-0" F5 Spiral Slide
1	18340	Suspension Bridge 36' Dk
4	18346	Roof Ext 24" w/Insert
1	18547	2" Straight Tube Slide
3	18672	Slate Roof
3	19001	Entry Way
1	19007	Transfer system w/Barrier (3' Rise)
1	19009	Transfer System w/Guardrail (1' Rise)
1	19015	Transfer Platform w/Barrier (5' Rise)
1	19016	Transfer Platform w/Guardrail (3')
2	19035	Optional Access Step (3' & 5')
1	19044	Straight Crawl Tube
1	19057	Wave Climber (Standard)
1	19068	Nature Panel
1	19072	Shapes Panel
1	19079	Rumble & Roll Zip Slide
1	19081	Double Straight Zip Slide (5')
1	19084	Ashiko
1	19103	Stepped Deck (12' Rise)
1	19126	7'-6" & 8' Zip Slide (Standard)
1	19174	Leaning Wall Climber (5')
1	19202	Vertical Rock Climber
1	19269	Double Ridge Climber
1	38010	Vine Climber Low
1	38011	Vine Climber High
2	38018	Flower Talk Tube
1	38019	Small Tree
2	38031	Large Tree
3	38010	Small Mushroom
1	G12023	3 1/2" Upright Assembly Galvanized 8'
9	G12026	3 1/2" Upright Assembly Galvanized 11'
4	G12069	3 1/2" Upright Assembly Galvanized 14'

IMPORTANT NOTE:
SOFT RESILIENT SURFACING SHOULD BE PLACED IN THE USE ZONES OF ALL EQUIPMENT, AND AT DEPTHS TO MEET THE CRITICAL FALL HEIGHTS AS SPECIFIED BY THE U.S. CONSUMER PRODUCT SAFETY COMMISSION, ASTM STANDARD F 1487 AND CANADIAN STANDARD CAN/CSA-2-614

PLAY EQUIPMENT PLAN
NOT TO SCALE

NO. DATE	REVISION	WDI
architectural resource corporation		
ARCHITECTS • INTERIOR DESIGNERS • PLANNERS • CONSTRUCTION MANAGERS 10075 W. LINCOLN HIGHWAY • FRANKFORD, ILLINOIS 60423 • (708) 349-1225 DESIGN FIRM #: 184-000518		
arc		
PLAY EQUIPMENT PLAN & SPECS		
SUNNY PINE PARK		
VILLAGE OF ORLAND PARK 13701 88th AVENUE ORLAND PARK, IL 60462		
PROJECT NO. 1222A	DATE 09/18/2012	© ARC 2012
A2		

PLAY EQUIPMENT MANUFACTURER: GAMETIME
180 PLAYCORE DRIVE SE
FORT PAYNE, AL 35967
www.gametime.com
GAMETIME REPRESENTATIVE: CUNNINGHAM RECREATION
PHONE: 1-800-942-1062

SITE PLAN
1"=10'

S. 88th AVENUE.

STUMP

STUMP

STUMP






BASKETBALL COURT

BASKETBALL NET

APPROXIMATE LENGTH OF PIPE: 20'-0" AT DISCHARGE T/ PIPE AT EL. 685'-0"

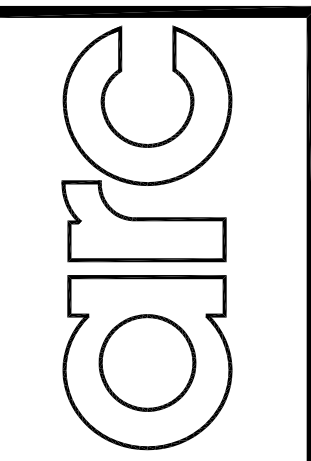
4" DIA. DRAINTILE, TYPICAL T/ DRAINTILE IS 20' BELOW T/ CURB (APPROXIMATELY 100' OF PIPE AT LOW SIDE OF CURBED AREA)

LEGEND

-  SIGN
-  WOOD POST
-  LIGHT STANDARD
-  DECIDUOUS TREE W/SIZE
-  EVERGREEN TREE W/SIZE

NO.	DATE	REVISION	WDI

architectural resource corporation
 ARCHITECTS • INTERIOR DESIGNERS • PLANNERS • CONSTRUCTION MANAGERS
 10075 W. LINCOLN HIGHWAY • FRANKFORT, ILLINOIS 60423 • (708) 349-1225
 DESIGN FIRM #: 784-000518



TOPOGRAPHIC SITE PLAN
SUNNY PINE PARK
 VILLAGE OF ORLAND PARK
 13701 88th AVENUE
 ORLAND PARK, IL 60462

PROJECT NO.
1222A

DATE
09/18/2012

© ARC 2012

DRAINTILE INFORMATION & NOTES HAVE BEEN INDICATED ON SURVEY BY ARCHITECTURAL RESOURCE CORPORATION.

ALL OTHER INFORMATION ON THIS DRAWING IS BY SURVEYOR:
 THOMSON SURVEYING LTD.
 DRAWING NUMBER: 4662-2DSUNNYDGN
 9575 N. HIGGINS ROAD, SUITE 850
 ROSEMONT, IL 60018
 TEL: (847) 318-9790
 FAX: (847) 318-9792
 PRYAN@THOMSONLTD.COM

A3