

Eagle Ridge Park  
In  
Orland Park, IL  
PlayBooster Specifications

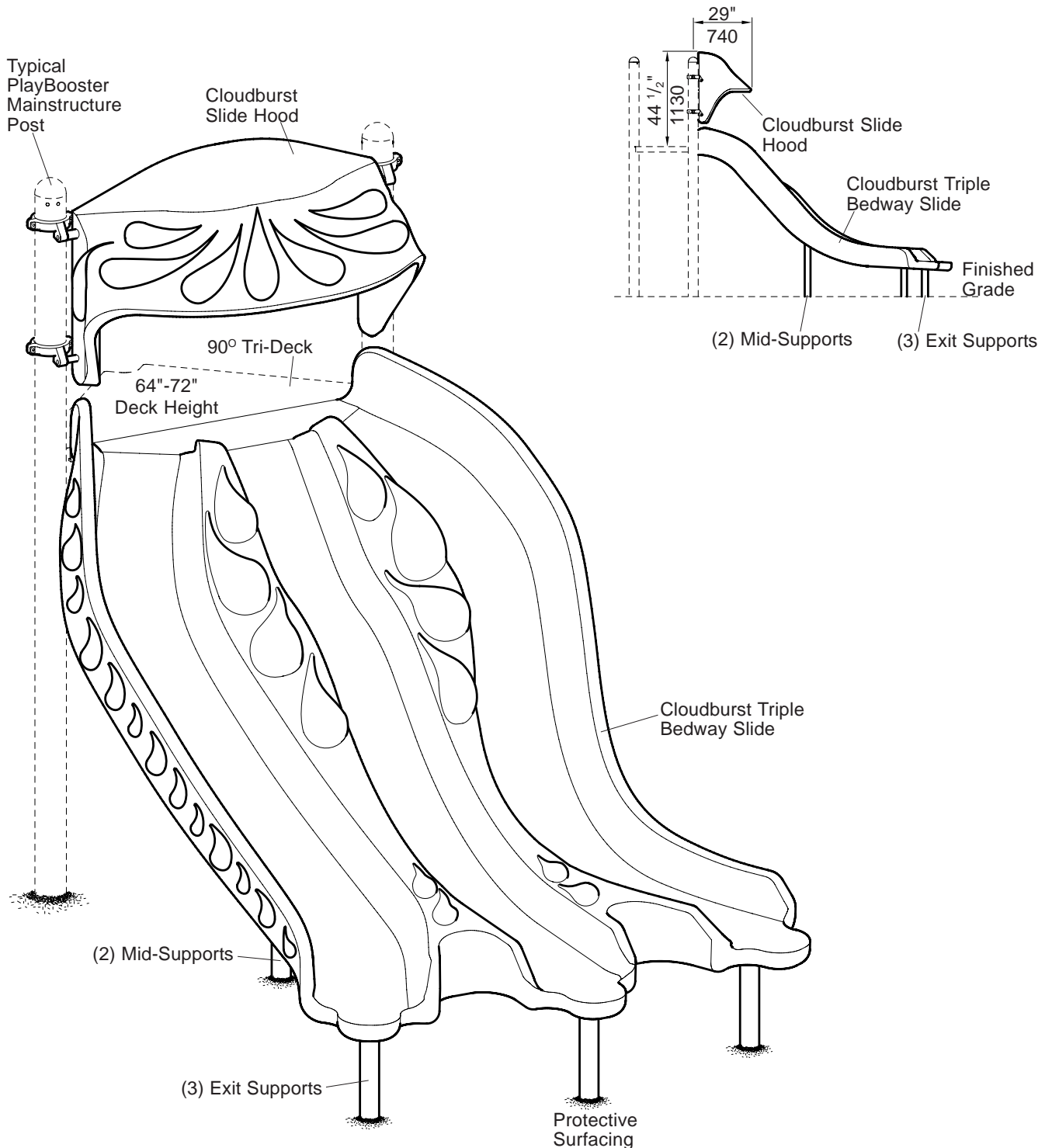
Please Note:

Specifications are for *Reference Only!* Not to be used for installation. Design and installation instructions will be provided with order.

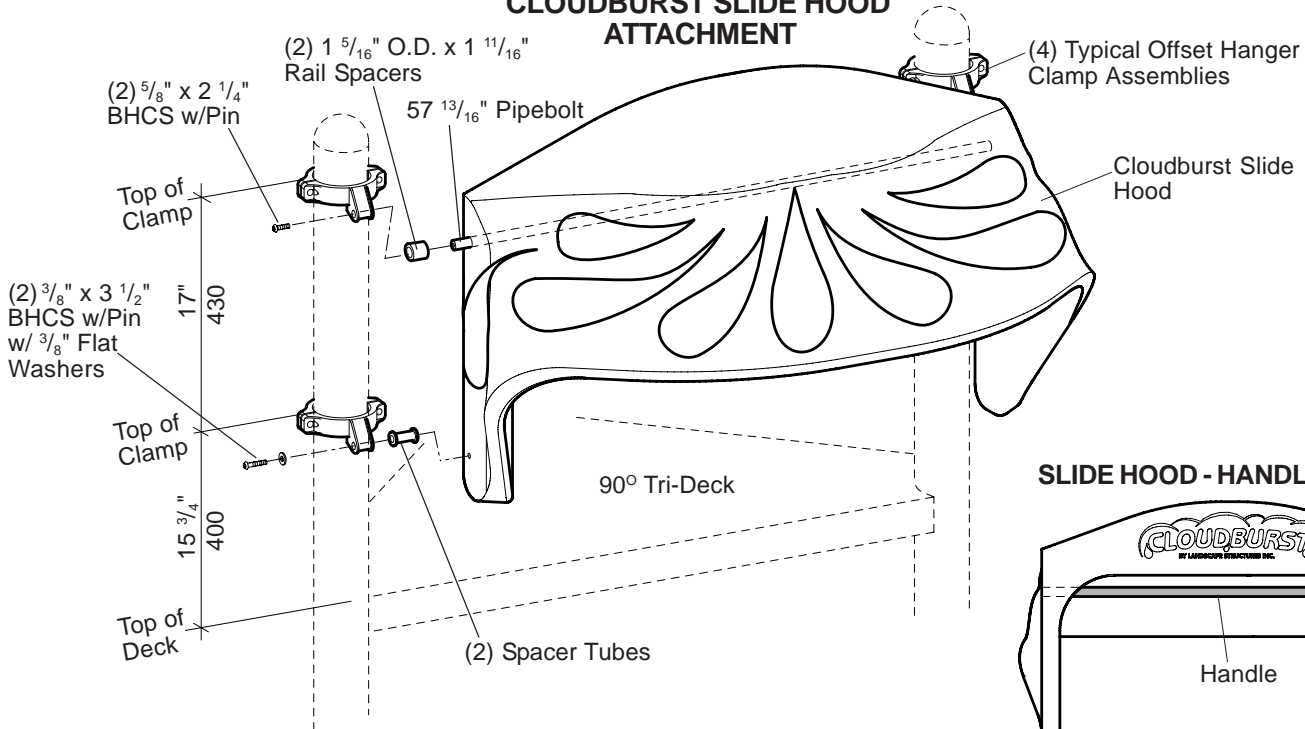


**nUTOYS**  
Leisure Products  
Box 2121 • LaGrange, IL 60525  
(708) 579-9055 • 1-800-526-6197  
e-mail: [play@nutoys4fun.com](mailto:play@nutoys4fun.com)  
Website: [www.nutoys4fun.com](http://www.nutoys4fun.com)

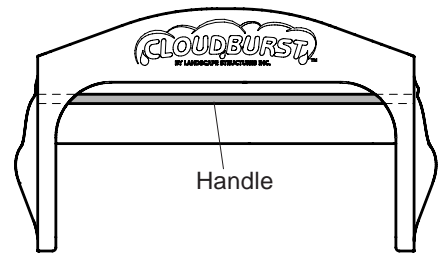
**ELEVATION**



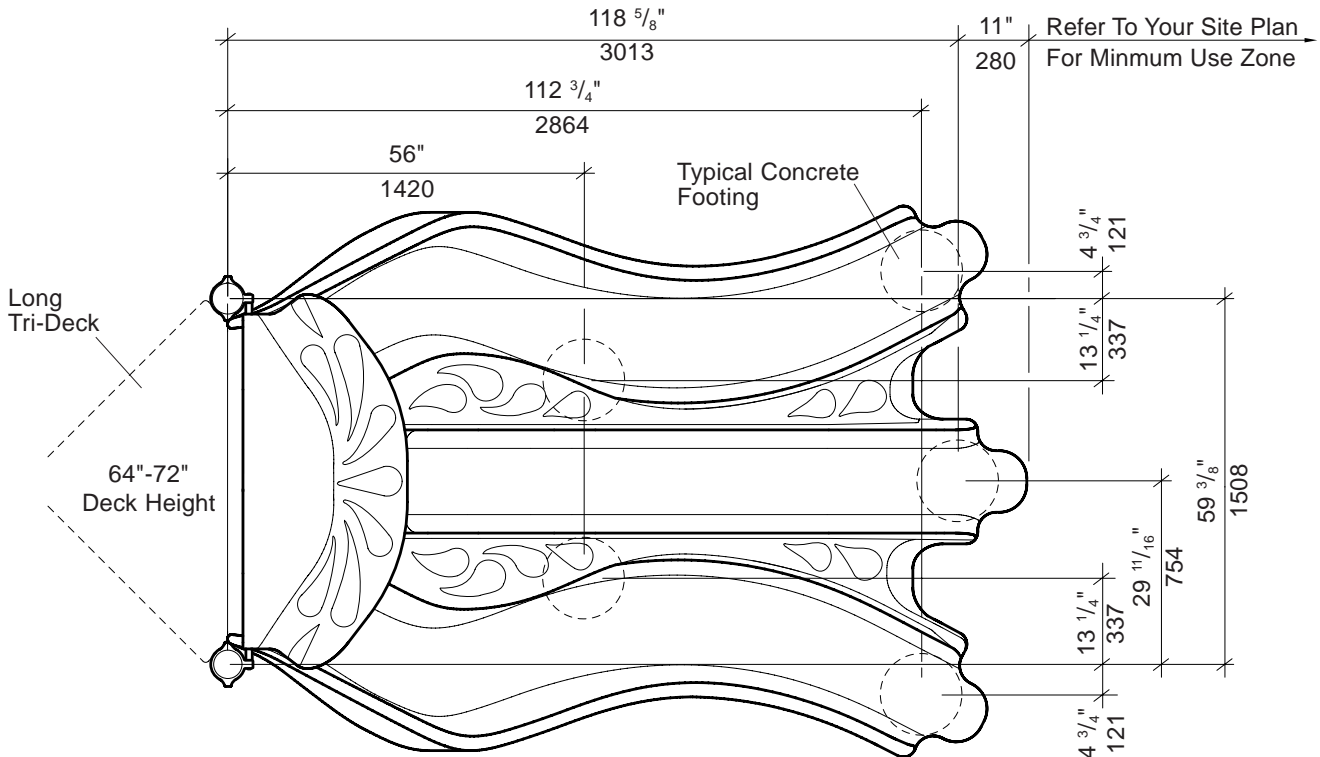
**DETAIL  
CLOUDBURST SLIDE HOOD  
ATTACHMENT**



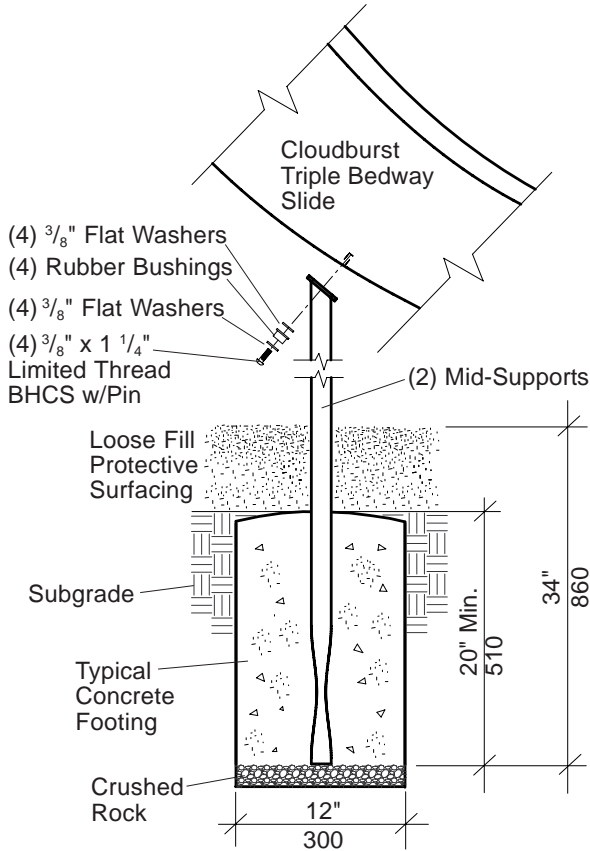
**SLIDE HOOD - HANDLE DETAIL**



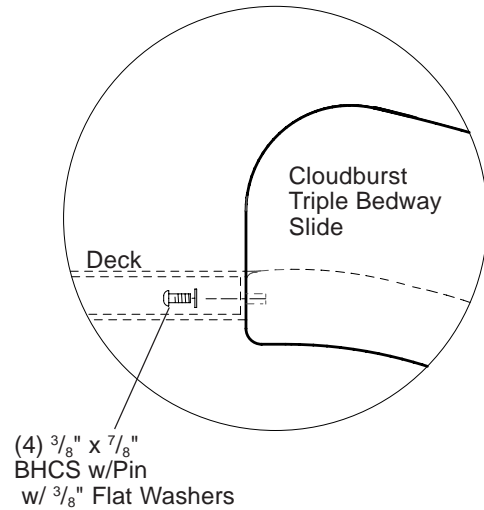
**PLAN VIEW/FOOTING LAYOUT**



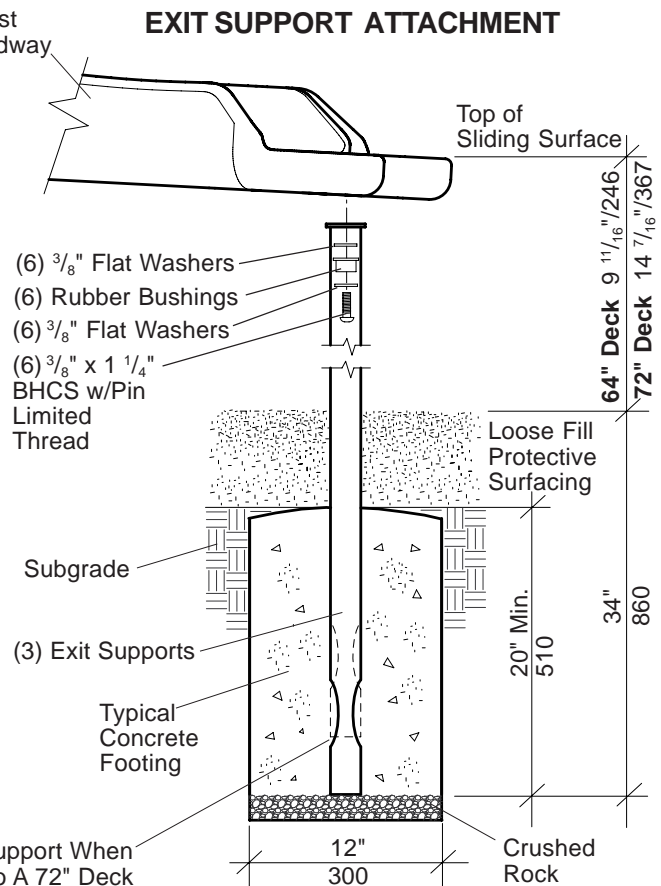
**DETAIL  
 MID-SUPPORT ATTACHMENT**



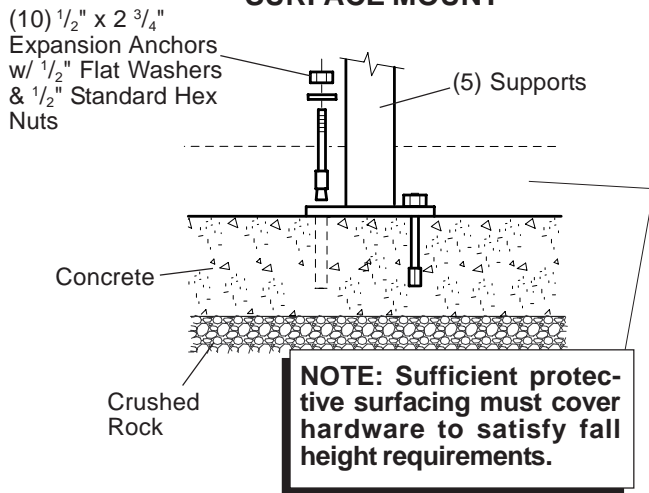
**DETAIL  
 DECK CONNECTION**



**DETAIL  
 EXIT SUPPORT ATTACHMENT**



**DETAIL  
 SURFACE MOUNT**



Bottom Of Exit Support When Attaching Slide To A 72" Deck

## Parts List

Part#	Description	Qty.
142545-00	Cloudburst Triple Bedway Slide, Specify Color ....	1
142546-00	Cloudburst Slide Hood, Specify Color .....	1
105327-01	5" Half Clamp, Specify Color .....	4
113729-00	Offset Hanger Clamp, Specify Color .....	4
144474-00	57 <sup>13</sup> / <sub>16</sub> " Aluminum Pipebolt, Specify Color .....	1
113468-00	Spacer Tube, Specify Color .....	2
150941-00	Exit Support (DB), Specify Color .....	3
145072-00	Mid-Support 64" Deck (DB), Specify Color .....	2
145073-00	Mid-Support 72" Deck (DB), Specify Color .....	2
151033-00	Exit Support 64" Deck (SM), Specify Color .....	3
151297-00	Exit Support 72" Deck (SM), Specify Color .....	3
145074-00	Mid-Support 64" Deck (SM), Specify Color .....	2
145075-00	Mid-Support 72" Deck (SM), Specify Color .....	2
132443-00	1 <sup>5</sup> / <sub>16</sub> " O.D. x 1 <sup>11</sup> / <sub>16</sub> " Rail Spacer, Specify Color ...	2
100610-00	<sup>1</sup> / <sub>4</sub> " x <sup>5</sup> / <sub>8</sub> " Drive Rivet, AL/SST. ....	4
<b>144685-00</b>	<b>Slide Hardware Package</b> .....	1
100196-00	<sup>3</sup> / <sub>8</sub> " x <sup>7</sup> / <sub>8</sub> " BHCS w/Pin, SST .....	4
100292-00	<sup>3</sup> / <sub>8</sub> " x 1 <sup>1</sup> / <sub>4</sub> " BHCS w/Pin Ltd. Thread Bolt, SST ...	10
100362-00	<sup>3</sup> / <sub>8</sub> " Flat Washer, SST .....	24
111442-00	Rubber Bushing .....	10
<b>106577-00</b>	<b>Hood Hardware Package</b> .....	1
100198-00	<sup>3</sup> / <sub>8</sub> " x 1 <sup>1</sup> / <sub>8</sub> " BHCS w/Pin, SST .....	8
100200-00	<sup>3</sup> / <sub>8</sub> " x 3 <sup>1</sup> / <sub>2</sub> " BHCS w/Pin, SST .....	2
100203-00	<sup>5</sup> / <sub>8</sub> " x 2 <sup>1</sup> / <sub>4</sub> " BHCS w/Pin, SST .....	2
100351-00	<sup>3</sup> / <sub>8</sub> " Tee Nut, SST .....	8
100362-00	<sup>3</sup> / <sub>8</sub> " Flat Washer, SST .....	2
100610-00	<sup>1</sup> / <sub>4</sub> " x <sup>5</sup> / <sub>8</sub> " Drive Rivet, AL/SST .....	4
<b>111392-00</b>	<b>2-Hole (SM) Hardware Package</b> .....	5
100266-00	<sup>1</sup> / <sub>2</sub> " x 2 <sup>3</sup> / <sub>4</sub> " Expansion Anchor .....	10
100322-00	<sup>1</sup> / <sub>2</sub> " Standard Hex Nut, SST .....	10
100363-00	<sup>1</sup> / <sub>2</sub> " Flat Washer, SST .....	10

DB = Direct Bury  
SM = Surface Mount

## Specifications

<b>Slide:</b>	Rotationally molded from U.V. stabilized linear low-density polyethylene, color specified.
<b>Exit Support:</b>	Weldment comprised of 2.375" O.D. RS-20 (.095" - .105") galvanized steel tubing and <sup>1</sup> / <sub>4</sub> " x 3" mounting plate. Finish: ProShield®, color specified.
<b>Mid-Support:</b>	Weldment comprised of 1.660" O.D. RS-20 (.085" - .095") galvanized steel tubing and <sup>1</sup> / <sub>4</sub> " x 3" mounting plate. Finish: ProShield, color specified.
<b>Hood:</b>	Rotationally molded from U.V. stabilized linear low-density polyethylene, color specified.
<b>Rail:</b>	Extruded from 1.125" O.D. x .312" W. 6005-T5 aluminum. Finish: ProShield, color specified.
<b>Rail Spacer:</b>	Fabricated from 1.3125" O.D. x 16 Ga. (.065") steel tubing. Finish: ProShield, color specified.
<b>Spacer Tube:</b>	Made from 6061-T6 aluminum <sup>7</sup> / <sub>8</sub> " O.D. x 1 <sup>11</sup> / <sub>16</sub> ". Finish: ProShield, color specified.

### Offset Hanger

**Clamp Assembly:** Cast aluminum. Finish: ProShield, color specified.

**Fasteners:** Primary fasteners shall be socketed and pinned tamperproof in design, stainless steel (SST) per ASTM F 879 unless otherwise indicated (see specific product installation/specifications).

**Installation Time:** (DB) - 3 <sup>1</sup>/<sub>4</sub> man hours  
(SM) - 2 <sup>1</sup>/<sub>4</sub> man hours

**Concrete Req.:** 6.5 cu. ft.

**Area Req.:** Refer to Site Plan

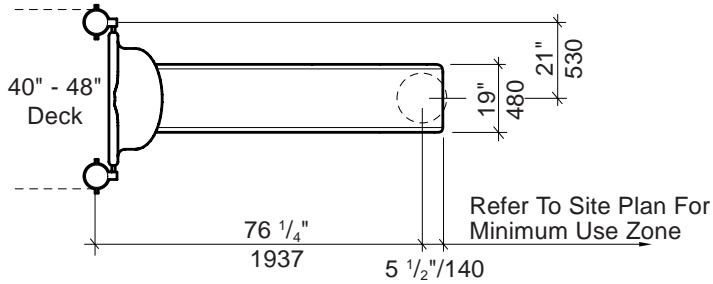
**Weight:** (DB) - 475 lbs.  
(SM) - 455 lbs.

**Fall Height:** Deck Height

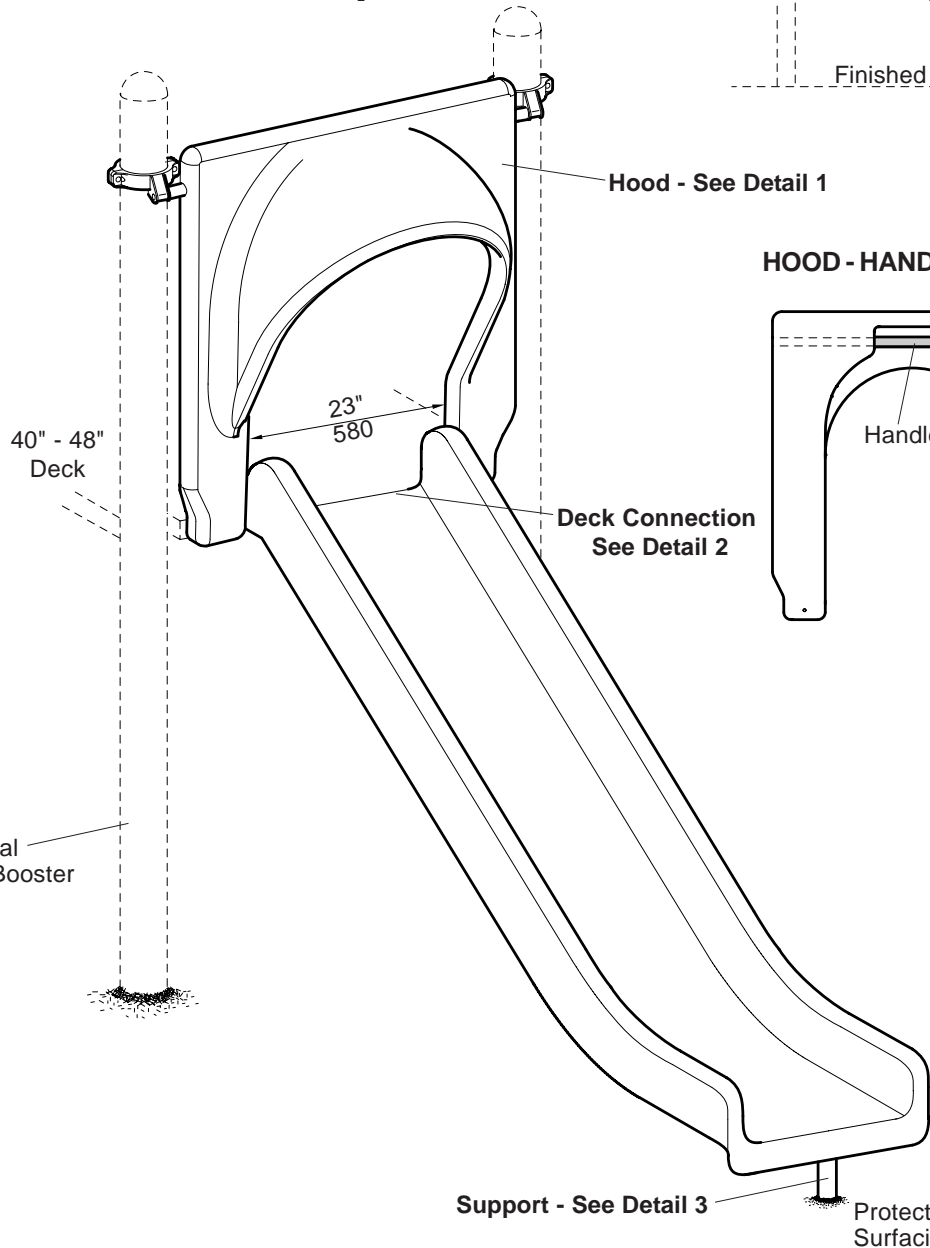
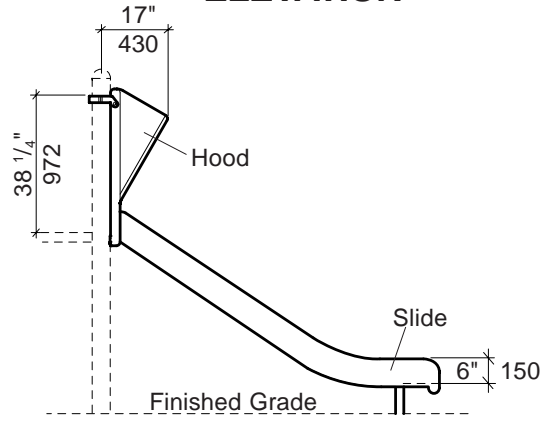
## Installation Instructions

- (Direct Bury)** Dig footings spaced as shown.
- Insert 57 <sup>13</sup>/<sub>16</sub>" pipe bolt through top of hood. Place 1 <sup>5</sup>/<sub>16</sub>" O.D. x 1 <sup>11</sup>/<sub>16</sub>" long rail spacer tube on each end of the 57 <sup>13</sup>/<sub>16</sub>" pipebolt. Attach offset hanger clamps to ends of pipe bolt using <sup>5</sup>/<sub>8</sub>" x 2 <sup>1</sup>/<sub>4</sub>" BHCS w/Pin. Fasten offset hanger clamps to bottom of hood using <sup>3</sup>/<sub>8</sub>" x 3 <sup>1</sup>/<sub>2</sub>" BHCS w/Pin with <sup>3</sup>/<sub>8</sub>" flat washers through offset hanger clamp and spacer tubes and into threaded inserts in hood. Attach offset hanger clamps to posts at height shown using 5" half clamps with <sup>3</sup>/<sub>8</sub>" x 1 <sup>1</sup>/<sub>8</sub>" BHCS w/Pin and <sup>3</sup>/<sub>8</sub>" tee nuts. Refer to the Cloudburst Slide Hood Attachment Detail.
- Attach exit and mid-supports to slide using <sup>3</sup>/<sub>8</sub>" x 1 <sup>1</sup>/<sub>4</sub>" BHCS w/Pin limited thread bolts, <sup>3</sup>/<sub>8</sub>" flat washers and rubber bushings. Refer to the Support Attachment Details. **NOTE:** *Attach bolts in the center of the slots to allow for expansion and contraction. Snug bolts down only, do not overtighten!*
- Attach slide to the face of the deck using <sup>3</sup>/<sub>8</sub>" x <sup>7</sup>/<sub>8</sub>" BHCS w/Pin with <sup>3</sup>/<sub>8</sub>" flat washers. Refer to the Deck Connection Detail.
- Install <sup>1</sup>/<sub>4</sub>" x <sup>5</sup>/<sub>8</sub>" drive rivets in all 5" half clamps. Refer to the Offset Hanger Clamp Spec Sheet.
- (Direct Bury)** With supports plumb pour concrete footings. Allow concrete footings to cure for a minimum of 72 hours before users are allowed to play on the structure.  
  
**(Surface Mount)** Mark anchor bolt locations on concrete slab through holes in anchor plates and remove wave slide. Drill <sup>1</sup>/<sub>2</sub>" x 3" deep holes on marks into concrete using a hammer drill and <sup>1</sup>/<sub>2</sub>" masonry bit. Tap expansion anchors into drilled holes. Reposition slide and reattach to the face of the deck following step 4. Fasten supports to expansion anchors using <sup>1</sup>/<sub>2</sub>" standard hex nuts with <sup>1</sup>/<sub>2</sub>" flat washers.
- Install protective surfacing before users are allowed to play on the structure.

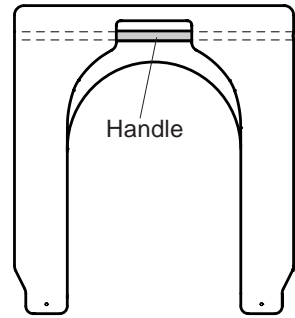
**PLAN VIEW/ FOOTING LAYOUT**



**ELEVATION**



**HOOD - HANDLE DETAIL**



**PlayBooster®**

**123337 Single Poly Slide, 40"- 48"**

Sheet 1 of 2



# PlayBooster® 123337 Single Poly Slide, 40" - 48"

J:\SPECS\177\17786800.P65

## Parts List

Part#	Description	Qty.
127162-00	Single Poly Slide, Specify Color .....	1
150941-00	Support, (DB), Specify Color .....	1
151033-00	Support, 40" Deck (SM), Specify Color .....	1
151003-00	Support, 48" Deck (SM), Specify Color .....	1
134180-00	Single Slide Hood, Specify Color .....	1
100583-00	40 7/16" Rail, Specify Color .....	1
105327-01	5" Half Clamp, Specify Color .....	2
113729-00	Offset Hanger Clamp, Specify Color .....	2
132443-00	Spacer Tube, Specify Color .....	2
<b>111506-00</b>	<b>Slide Hardware Package</b> .....	1
100196-00	3/8" x 7/8" BHCS w/Pin, SST .....	2
100362-00	3/8" Flat Washer, SST .....	4
100292-00	3/8" x 1 1/4" BHCS w/Pin Ltd. Thread Bolt, SST ...	2
100365-00	3/8" SAE Flat washer, SST .....	2
111442-00	Rubber Bushing .....	2
<b>106578-00</b>	<b>Hood Hardware Package</b> .....	1
100196-00	3/8" x 7/8" BHCS w/Pin, SST .....	2
100198-00	3/8" x 1 1/8" BHCS w/Pin, SST .....	4
100203-00	5/8" x 2 1/4" BHCS w/Pin, SST .....	2
100351-00	3/8" Tee Nut, SST .....	4
100362-00	3/8" Flat Washer, SST .....	2
100610-00	1/4" x 5/8" Drive Rivet, AL/SST .....	2
<b>111392-00</b>	<b>2-Hole (SM) Hardware Package</b> .....	1
100266-00	1/2" x 2 3/4" Expansion Anchor .....	2
100322-00	1/2" Standard Hex Nut, SST .....	2
100363-00	1/2" Flat Washer, SST .....	2

DB = Direct Bury  
SM = Surface Mount

## Specifications

**Slide:** Rotationally molded from U.V. stabilized linear low density polyethylene, color specified.

**Exit Support:** Weldment comprised of 2.375" O.D. RS-20 (.095" - .105") galvanized steel tubing and 1/4" x 3" mounting plate. Finish: ProShield®, color specified.

**Spacer Tube:** Fabricated from 1.3125 O.D. x 16 Ga. (.065) steel tubing. Finish: ProShield, color specified.

**Hood:** Rotationally molded from U.V. stabilized linear low density polyethylene, color specified.

**Rail:** Extruded from 1.125" O.D. x .312" W. 6005-T5 aluminum. Finish: ProShield, color specified.

**Offset Hanger Clamp Assembly:** Cast aluminum. Finish: ProShield, color specified.

**Fasteners:** Primary fasteners shall be socketed and pinned tamperproof in design, stainless steel (SST) per ASTM F 879 unless otherwise indicated (see specific product installation/specifications).

**Installation Time:** Approx. 2 man hours

**Concrete Req.:** Approx. 1.3 cu. ft.

**Area Req.:** Refer To Plan View

**Weight:** 93 lbs.

**Fall Height:** Deck Height

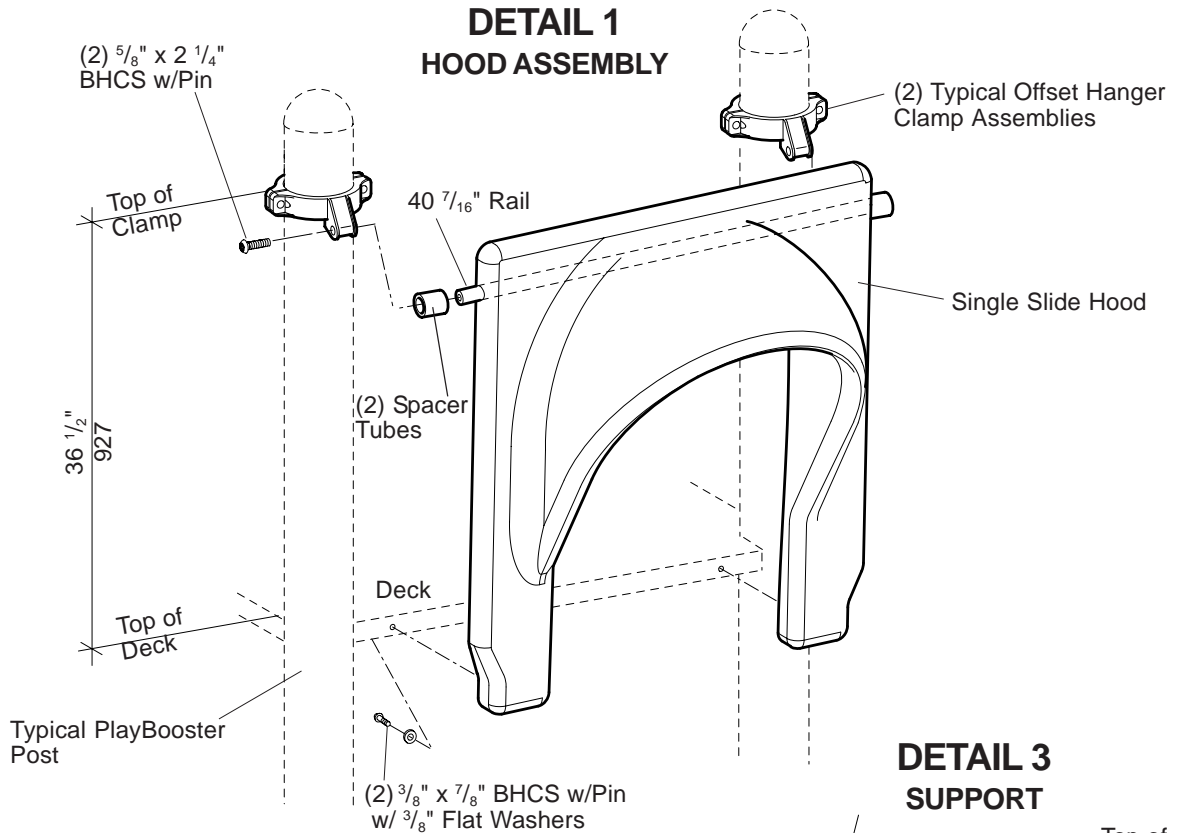
## Installation Instructions

- (Direct Bury)** Dig footings spaced as shown.
- Insert 40 7/16" rail through top of hood, place spacer tubes over each end of the 40 7/16" rail. Attach offset hanger clamps to ends of pipe bolt using 5/8" x 2 1/4" BHCS w/Pin. Position hood against face of deck with offset hanger clamps against posts. Line up holes in face of deck with inserts in bottom of hood and fasten using 3/8" x 7/8" BHCS w/Pin with 3/8" flat washers. Refer to Detail 1. Attach offset hanger clamps to posts using 5" half clamps with 3/8" x 1 1/8" BHCS w/Pin and 3/8" tee nuts.
- Attach support to base of slide using 3/8" x 1 1/4" BHCS w/Pin limited thread bolt, 3/8" SAE flat washer, rubber bushing and 3/8" flat washer. **NOTE:** Attach bolts in the center of the slots to allow for expansion and contraction. Snug bolts down only, do not overtighten. Refer to Detail 3.
- Attach slide to the face of the deck using 3/8" x 7/8" BHCS w/Pin with 3/8" flat washers. Refer to Detail 2.
- (Direct Bury)** With support plumb pour concrete footings. Allow concrete footing to cure for a minimum of 72 hours before users are allowed to play on the structure.  
**(Surface Mount)** Mark anchor bolt locations on concrete slab through holes in anchor plate and remove slide. Drill 1/2" x 3" deep holes on marks into concrete using a hammer drill and 1/2" masonry bit. Tap expansion anchors into drilled holes. Reposition slide and reattach to the face of the deck following step 4. Fasten support to expansion anchors using 1/2" standard hex nuts with 1/2" flat washers.
- Install protective surfacing before users are allowed to play on the structure.

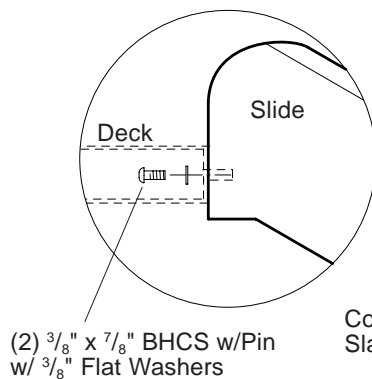
**SAFETY NOTE**  
 Choose a protective surfacing material that has a Critical Height Value of at least the height of the Highest Accessible Part/Fall Height of the adjacent equipment. (Ref. ASTM F1487.)

177868a

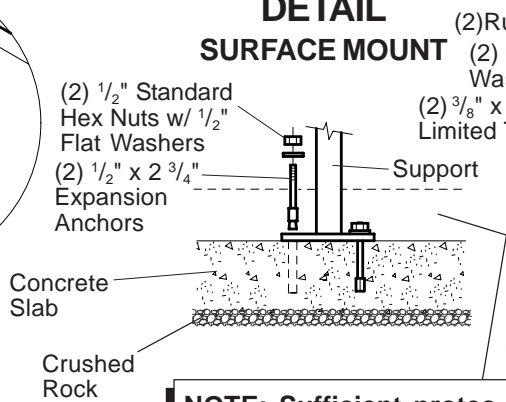
**DETAIL 1  
 HOOD ASSEMBLY**



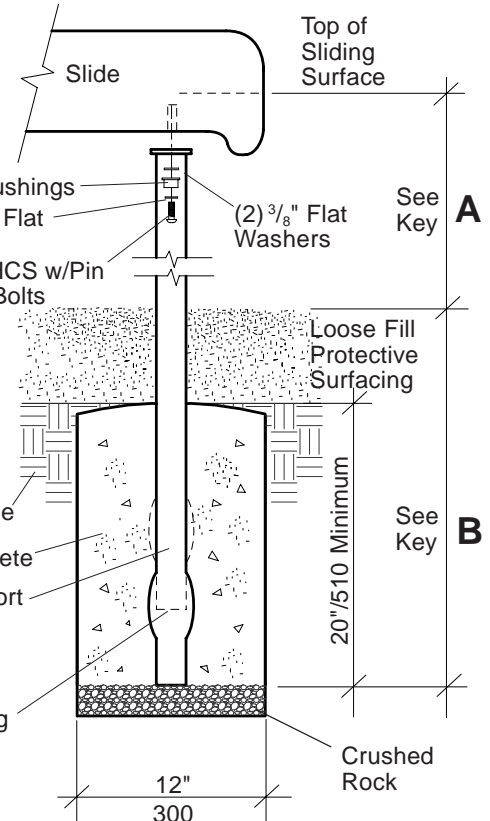
**DETAIL 2  
 DECK CONNECTION**



**DETAIL  
 SURFACE MOUNT**



**DETAIL 3  
 SUPPORT**

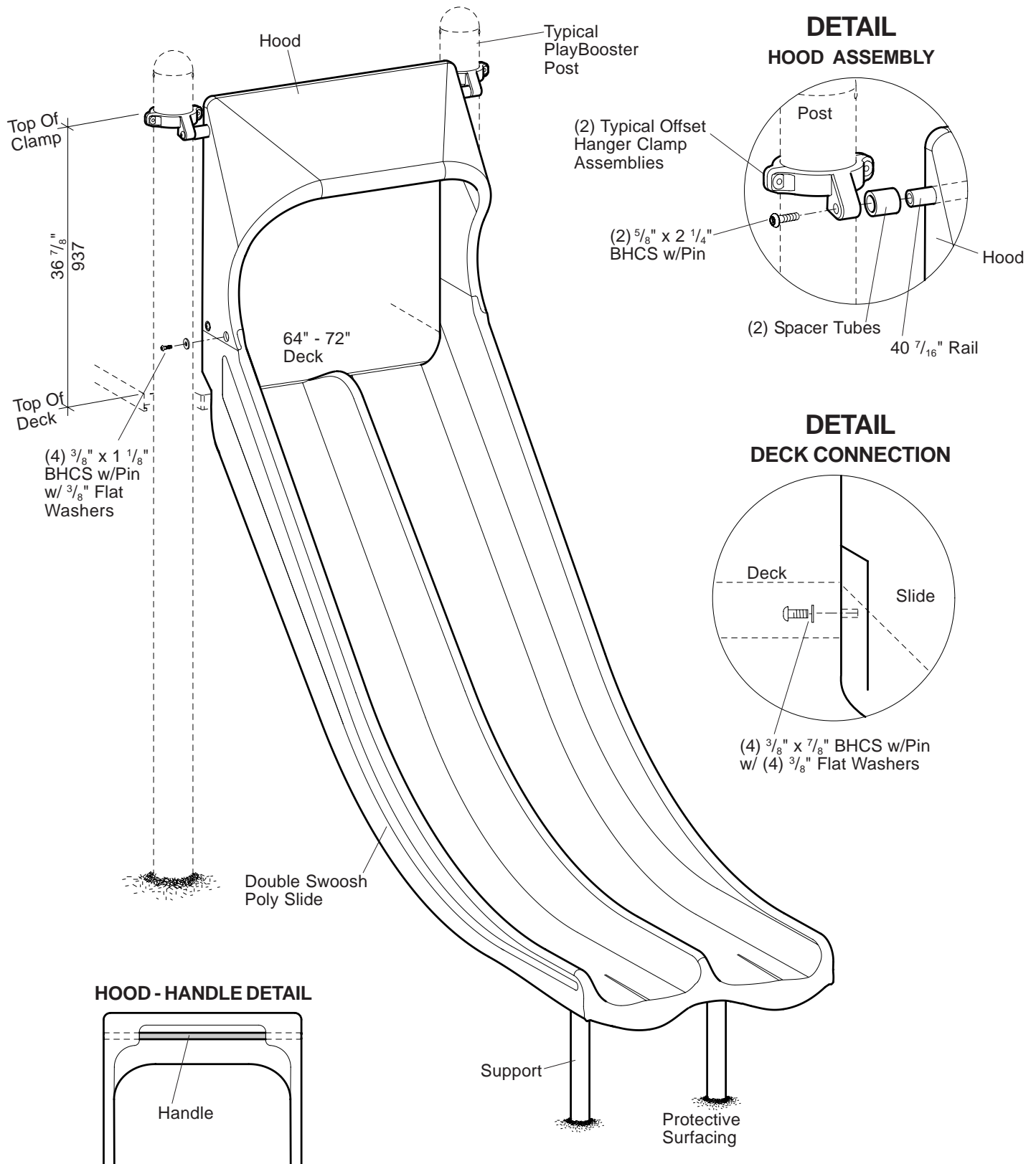


**NOTE: Sufficient protective surfacing must cover hardware to satisfy fall height requirements.**

Bottom Of Support When Attaching Slide To A 48\" Deck

KEY:	
Deck Hgt.	Dimension
40\"	A = 8\"/200
48\"	A = 11\"/280
40\"	B = 37\"/940
48\"	B = 34\"/860







# PlayBooster® 130390 Double Swoosh™ Poly Slide, 64"-72"

J:\SPECS\151\15102600.P65

## Parts List

Part#	Description	Qty.
128823-00	Double Swoosh Poly Slide, 64"/72", Specify Color	1
128777-00	Slide Hood, Specify Color	1
100583-00	40 7/16" Aluminum Rail, Specify Color	1
132443-00	Spacer Tube, Specify Color	2
105327-01	5" Half Clamp, Specify Color	2
113729-00	Offset Hanger Clamp, Specify Color	2
100610-00	1/4" x 3/8" Drive Rivet AL/SST	2
150941-00	Support (DB), Specify Color	2
151021-00	Support 64" Deck (SM), Specify Color	2
151022-00	Support 72" Deck (SM), Specify Color	2
<b>130391-00</b>	<b>Double Swoosh Slide Hardware Package</b>	1
100196-00	3/8" x 7/8" BHCS w/Pin, SST	4
100198-00	3/8" x 1 1/8" BHCS w/Pin, SST	8
100203-00	5/8" x 2 1/4" BHCS w/Pin, SST	2
100292-00	3/8" x 1 1/4" BHCS w/Pin Ltd. Thread Bolt, SST	4
100351-00	3/8" Tee Nut, SST	4
100362-00	3/8" Flat Washer, SST	16
111442-00	Rubber Bushing	4
<b>121348-00</b>	<b>4 Hole (SM) Hardware Package</b>	1
100266-00	1/2" x 2 3/4" Expansion Anchor	4
100322-00	1/2" Standard Hex Nut, SST	4
100363-00	1/2" Flat Washer, SST	4

DB = Direct Bury  
SM = Surface Mount

## Specifications

<b>Slide:</b>	Rotationally molded from U.V. stabilized linear low density polyethylene, color specified.
<b>Spacer Tube:</b>	Fabricated from 1.3125 O.D. x 16 Ga. (.065) steel tubing. Finish: ProShield®, color specified.
<b>Hood:</b>	Rotationally molded from U.V. stabilized linear low density polyethylene, color specified.
<b>Rail:</b>	Extruded from 1.125" O.D. x .312" W. 6005-T5 aluminum. Finish: ProShield, color specified.
<b>Support:</b>	Weldment comprised of 2.375" O.D. RS-20 (.095" - .105") galvanized steel tubing and 1/4" x 3" mounting plate. Finish: ProShield, color specified.
<b>Offset Hanger Clamp Assembly:</b>	Cast aluminum. Finish: ProShield, color specified.
<b>Fasteners:</b>	Primary fasteners shall be socketed and pinned tamperproof in design, stainless steel (SST) per ASTM F 879 unless otherwise indicated (see specific product installation/specifications).
<b>Installation Time:</b>	SM - Approx. 2 man hours DB - Approx. 3 man hours
<b>Concrete Req.:</b>	Approx. 2.6 cu. ft.
<b>Area Req.:</b>	6' (1.83 m) minimum use zone at exit
<b>Weight:</b>	179 lbs.
<b>Fall Height:</b>	64" (1.63 m) Deck Height 6' (1.83 m) Deck Height

## Installation Instructions

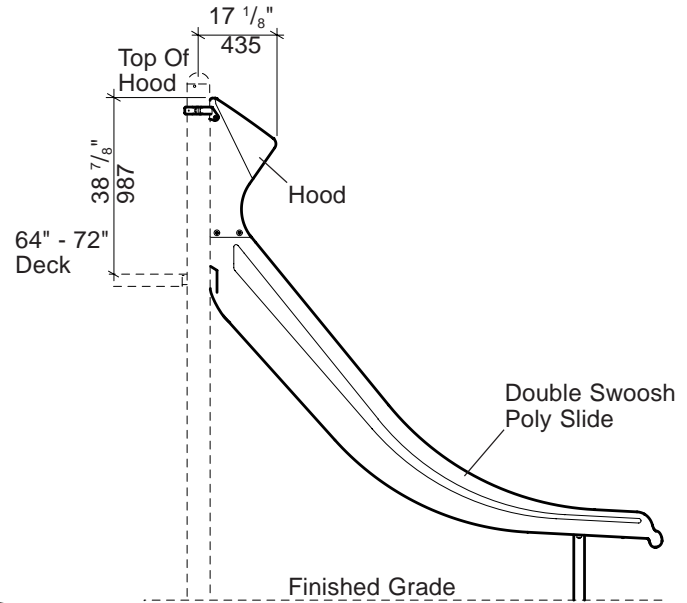
### Direct Bury

- 1) Dig footings spaced as shown.
- 2) Attach the supports to the slide using 3/8" x 1 1/4" BHCS w/Pin limited thread bolts, 3/8" flat washers, rubber bushings and 3/8" flat washers. Refer to the Support Attachment Detail.
- 3) Attach the slide to the face of the deck using 3/8" x 7/8" BHCS w/Pin with 3/8" flat washers. Refer to the Deck Connection Detail.
- 4) Attach the slide hood to the slide using 3/8" x 1 1/8" BHCS w/Pin with 3/8" flat washers.
- 5) Insert 40 7/16" rail through top of hood, place spacer tubes over each end of the 40 7/16" rail and attach to posts at height shown using offset hanger clamp assemblies. Refer to the Typical Offset Hanger Clamp Spec Sheet.
- 6) Prop the end of the slide according to the proper deck height. With support plumb pour concrete footings. Allow concrete footing to cure for a minimum of 72 hours before users are allowed to play on the structure.
- 7) Install protective surfacing before users are allowed to play on the structure.

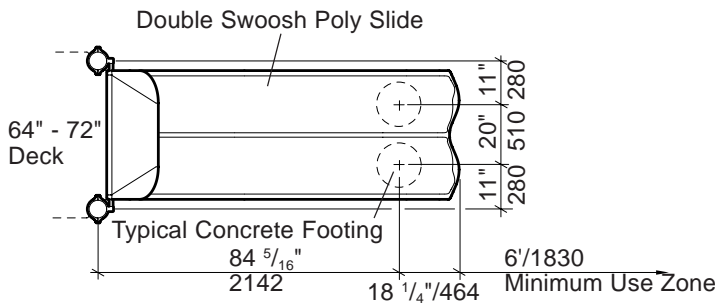
### Surface Mount

- 1) Attach the supports to the slide using 3/8" x 1 1/4" BHCS w/Pin limited thread bolts, 3/8" flat washers, rubber bushings and 3/8" flat washers. Refer to the Support Detail.
- 2) Attach the slide to the face of the deck using 3/8" x 7/8" BHCS w/Pin with 3/8" flat washers. Refer to the Deck Connection Detail.
- 3) Mark anchor bolt locations on concrete slab through holes in anchor plates and disconnect slide from the face of the deck. Drill 1/2" x 3" deep holes on marks into concrete using a hammer drill and 1/2" masonry bit. Tap expansion anchors into drilled holes. Reposition slide and reattach to the face of the deck following step 2. Fasten support to expansion anchors using 1/2" standard hex nuts with 1/2" flat washers.
- 4) Attach the slide hood to the slide using 3/8" x 1 1/8" BHCS w/Pin with 3/8" flat washers.
- 5) Insert 40 7/16" rail through top of hood, place spacer tubes over each end of the 40 7/16" rail and attach to posts at height shown using offset hanger clamp assemblies. Refer to the Typical Offset Hanger Clamp Spec Sheet.
- 6) Install protective surfacing before users are allowed to play on the structure.

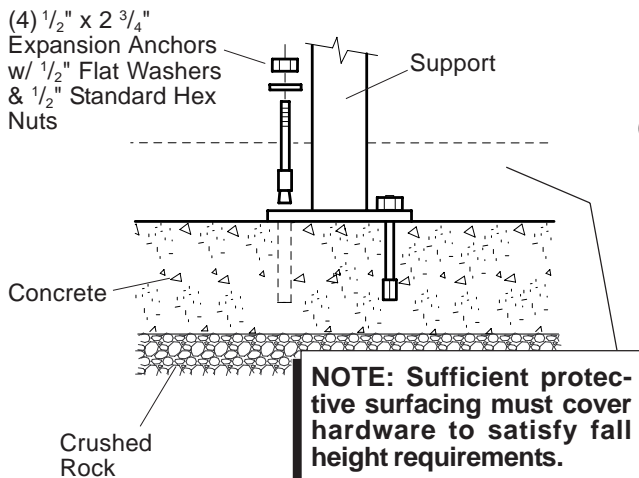
**ELEVATION**



**PLAN VIEW/FOOTING LAYOUT**

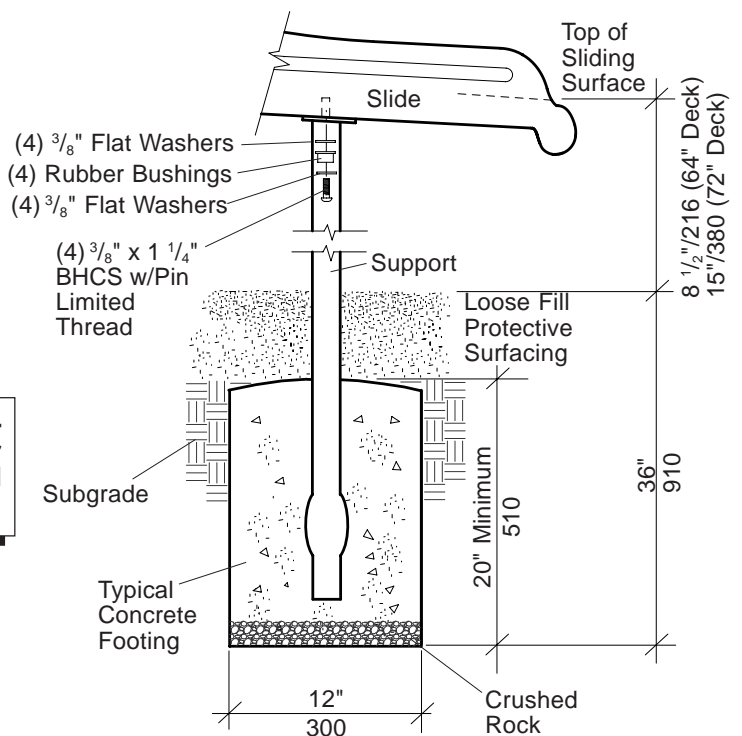


**DETAIL  
 SURFACE MOUNT**



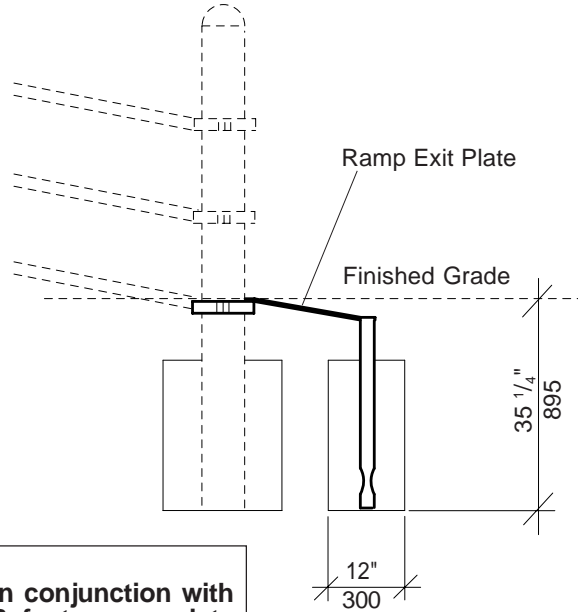
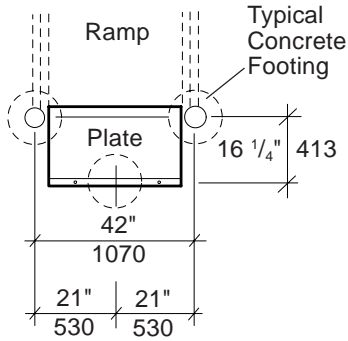
**NOTE: Sufficient protective surfacing must cover hardware to satisfy fall height requirements.**

**DETAIL  
 SUPPORT ATTACHMENT**

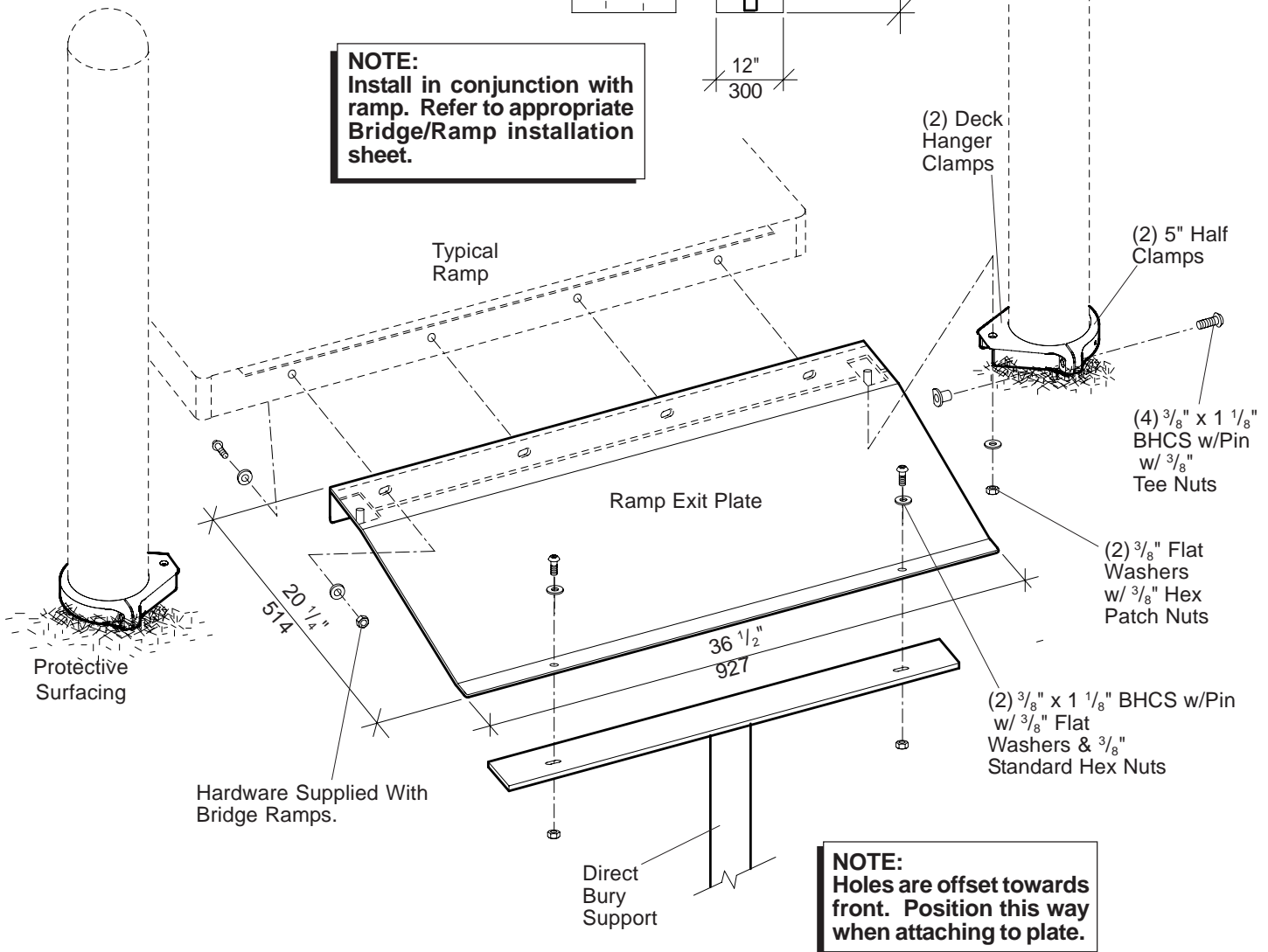


**ELEVATION**

**PLAN VIEW/  
FOOTING LAYOUT**



**NOTE:**  
Install in conjunction with ramp. Refer to appropriate Bridge/Ramp installation sheet.



**NOTE:**  
Holes are offset towards front. Position this way when attaching to plate.



J:\SPECS\187\18703700.P65

# PlayBooster® 111346 Ramp Exit Plate, DB

## Parts List

Part#	Description	Qty.
108561-00	Ramp Exit Plate, Specify Color .....	1
180979-00	Support (DB), Specify Color .....	1
105327-01	5" Half Clamp, Specify Color .....	2
106022-00	Deck Hanger Clamp, Specify Color .....	2
<b>121051-00</b>	<b>Ramp Exit Plate Hardware Package .....</b>	<b>1</b>
100198-00	3/8" x 1 1/8" BHCS w/Pin, SST .....	6
100321-00	3/8" Hex Patch Nut, SST .....	2
100327-00	3/8" Standard Hex Nut, SST .....	2
100351-00	3/8" Tee Nut, SST .....	4
100362-00	3/8" Flat Washer, SST .....	4
100610-00	1/4" x 3/8" Drive Rivet, AL/SST .....	2

DB = Direct Bury

## Specifications

**Support:** Fabricated from 1/4" x 3" zinc plated HRS plate continuously welded to 2 3/8" O.D. RS-20 galvanized steel tubing. Finish: ProShield®, color specified.

**Ramp Exit Plate:** Fabricated from 10 GA (.135") HRPO steel plate with 3/8" x 1" stainless steel mounting stud. Finish: TenderTuff®, color specified.

### Deck Hanger

**Clamp Assembly:** Cast aluminum. Finish: ProShield, color specified.

**Fasteners:** Primary fasteners shall be socketed and pinned tamperproof in design, stainless steel (SST) per ASTM F 879 unless otherwise indicated (see specific product installation/specifications).

**Installation Time:** Approx. 1 1/2 man hours

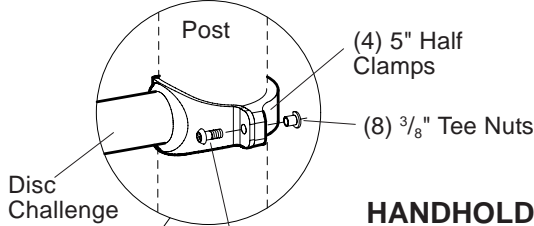
**Concrete Req.:** Approx. 1.3 cu. ft.

**Weight:** 45 lbs.

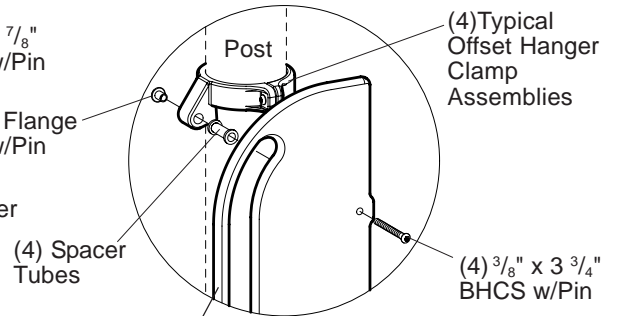
## Installation Instructions

- 1) Dig footing as shown.
- 2) Install exit plate in conjunction with ramp.
- 3) Mark posts for the appropriate height to install clamps. Fasten deck hanger clamps to the marked position on posts using 5" half clamps and 3/8" x 1 1/8" BHCS w/pin with 3/8" tee nuts. Refer to the Typical Offset Hanger Clamp Spec Sheet.
- 4) Position ramp exit plate over deck hanger clamps and attach using 3/8" hex patch nuts with 3/8" flat washers, as shown.
- 5) Attach support to ramp exit plate using 3/8" x 1 1/8" BHCS w/pin with 3/8" flat washers and 3/8" standard hex nuts, as shown.
- 6) With support plumb, pour concrete footing.
- 7) Install 1/4" x 5/8" drive rivets in all 5" half clamps. Refer to the Typical Offset Hanger Clamp Spec Sheet.
- 8) Install protective surfacing before users are allowed to play on the structure.

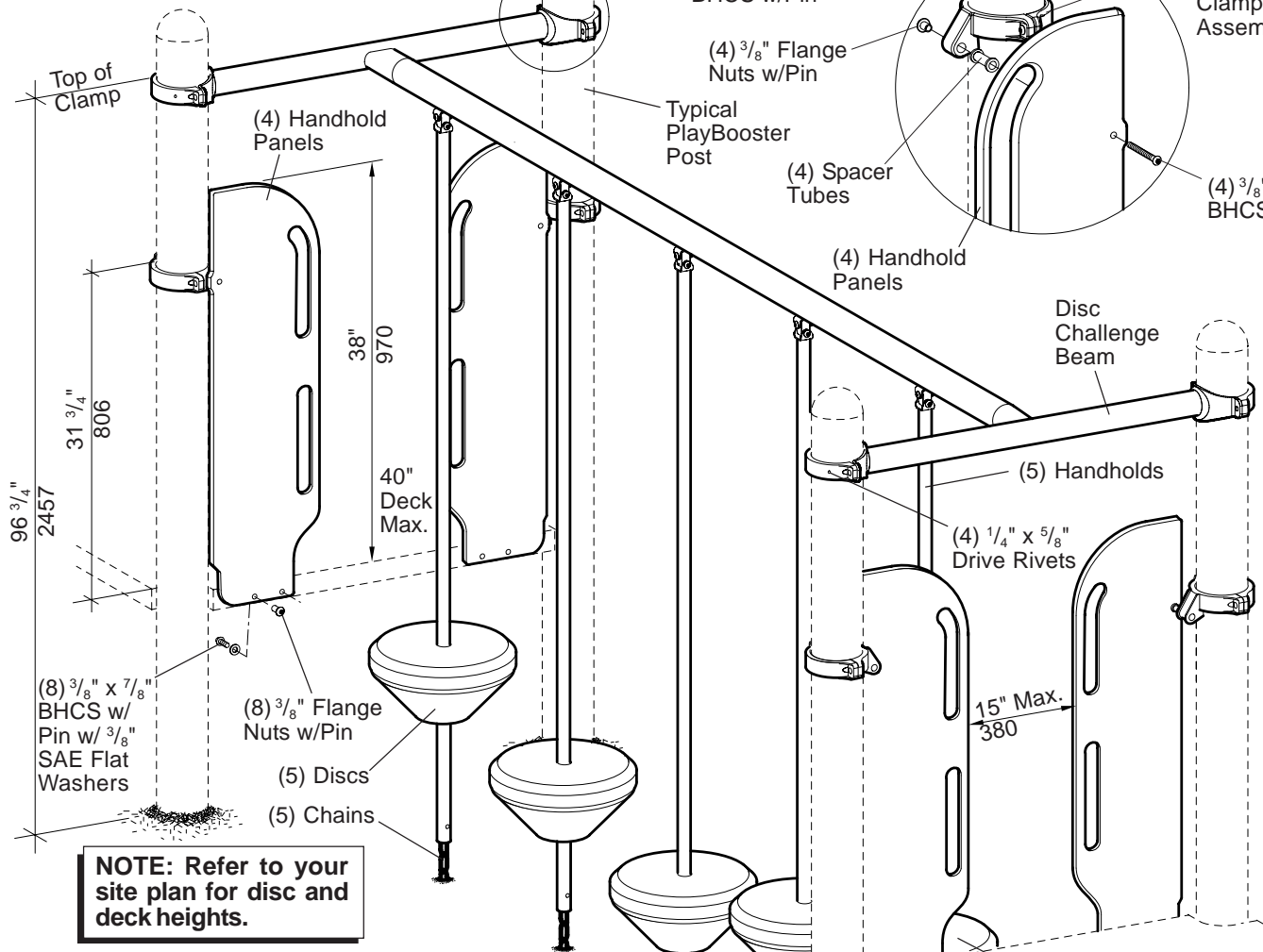
**DETAIL  
DISC CHALLENGE BEAM  
ATTACHMENT**



**DETAIL  
HANDHOLD PANEL ATTACHMENT**



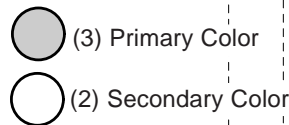
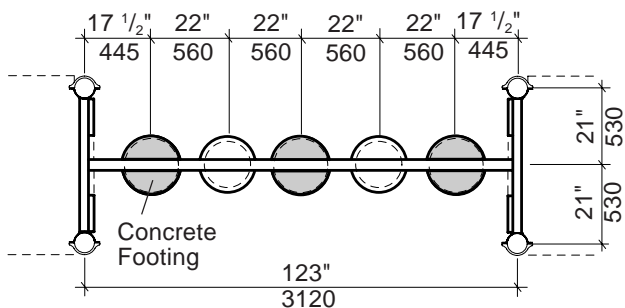
**NOTE: One handhold panel is required for the 8", 16" and 24" deck heights, the 32" and 40" deck heights require two handhold panels.**



**NOTE: Refer to your site plan for disc and deck heights.**

**NOTE: Side to side movement of discs should not exceed 5".**

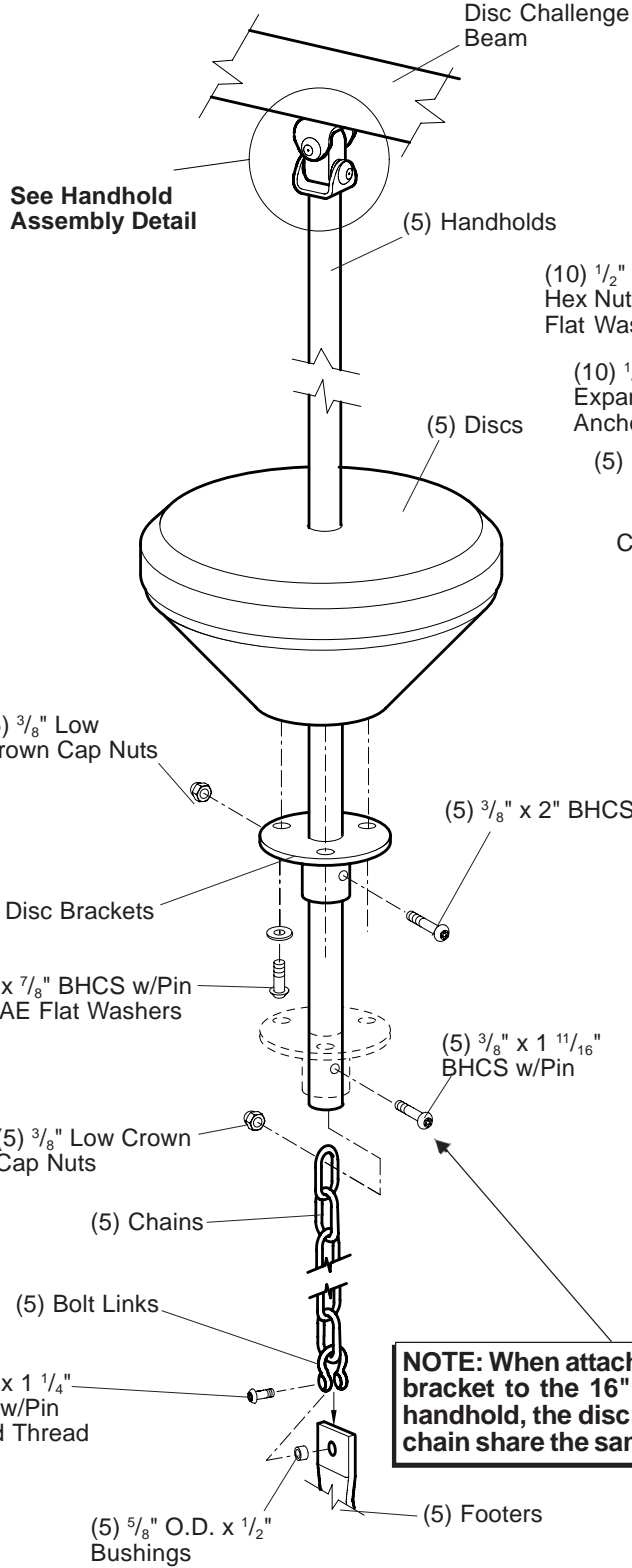
**PLAN VIEW/FOOTING LAYOUT**



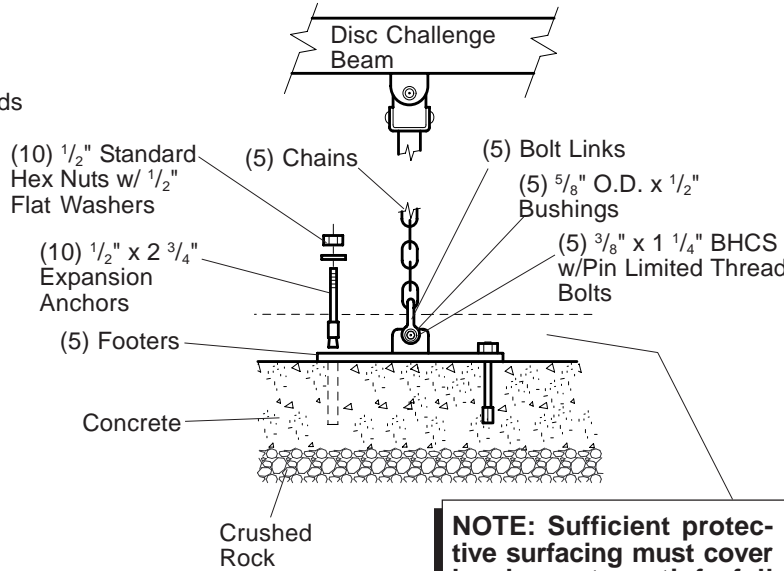
**SAFETY NOTE**  
 Choose a protective surfacing material that has a Critical Height Value of at least the height of the Highest Accessible Part/Fall Height of the adjacent equipment. (Ref. ASTM F1487.)

186142a

**DETAIL  
 DISC ASSEMBLY**

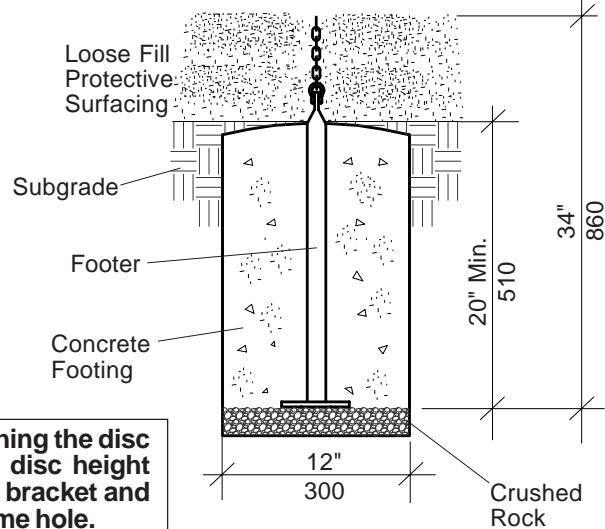


**DETAIL  
 SURFACE MOUNT**



**NOTE: Sufficient protective surfacing must cover hardware to satisfy fall height requirements.**

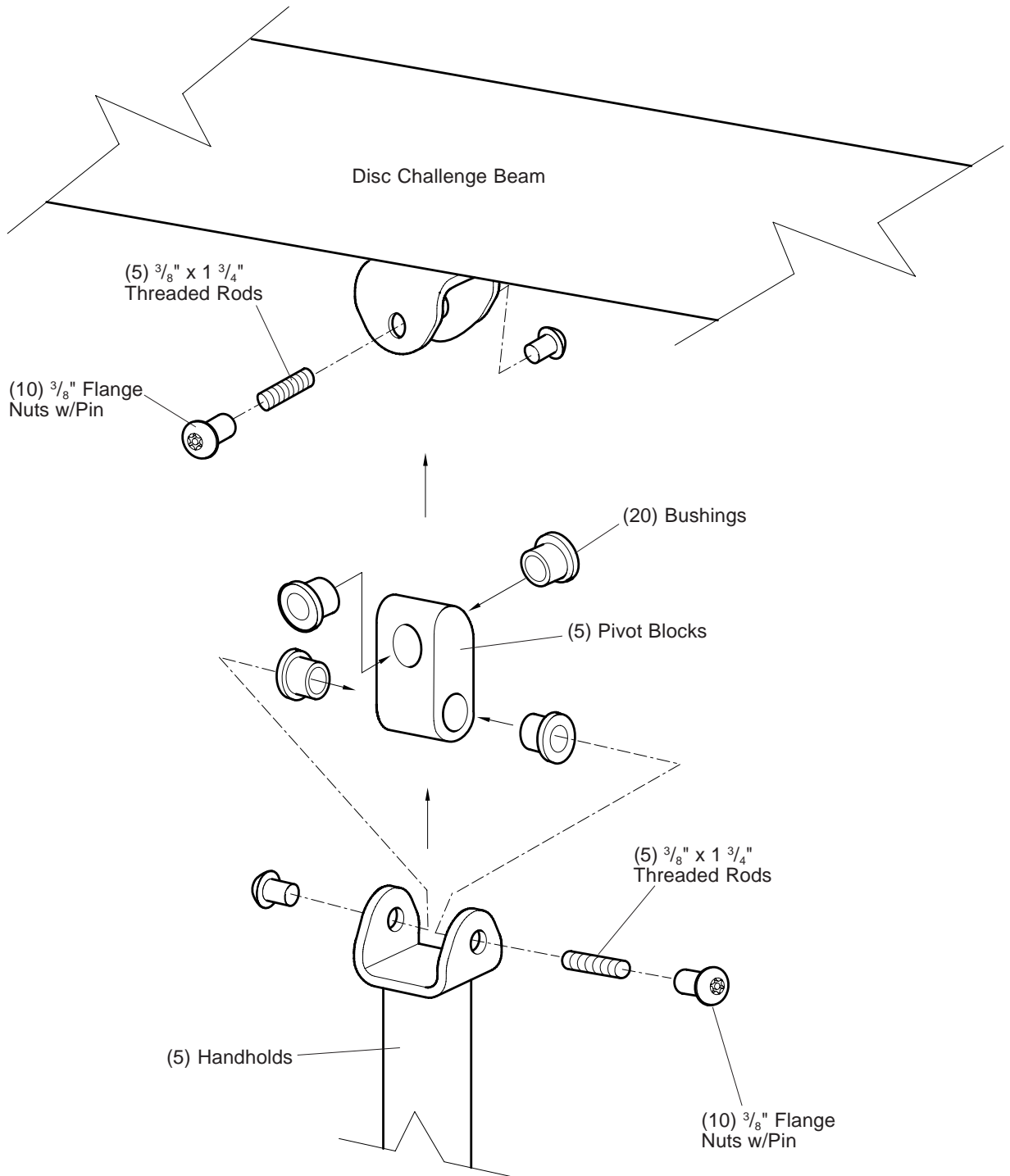
**DETAIL  
 DIRECT BURY**



**NOTE: When attaching the disc bracket to the 16" disc height handhold, the disc bracket and chain share the same hole.**

**PlayBooster® 121416 Disc Challenge, 123"**

**DETAIL**  
**HANDHOLD ASSEMBLY**





## Parts List

Part#	Description	Qty.
145951-00	Disc Challenge Beam 123", Specify Color .....	1
126956-00	Primary Disc, Specify Color .....	3
186128-00	Secondary Disc, Specify Color .....	2
120668-00	Disc Bracket, Specify Color .....	5
135304-00	Pivot Block .....	5
105327-01	5" Half Clamp, Specify Color .....	*
136721-00	Chain (SM) .....	5
132980-00	Chain (DB) .....	5
186343-00	Footer (SM), Specify Color .....	5
186342-00	Footer (DB), Specify Color .....	5
132369-00	Handhold (16" Disc), Specify Color .....	*
132370-00	Handhold (24" Disc), Specify Color .....	*
132371-00	Handhold (32" Disc), Specify Color .....	*
100610-00	1/4" x 5/8" Drive Rivet, AL/SST .....	4
113468-00	7/8" O.D. x 1 11/16" Spacer Tube, AL .....	*
113729-00	5" Offset Rail Hanger Clamp, Specify Color .....	*
139563-00	Handhold Panel, Specify Color .....	*
<b>139861-00</b>	<b>Handhold Hardware Package .....</b>	<b>*</b>
100196-00	3/8" x 7/8" BHCS w/Pin, SST .....	2
100198-00	3/8" x 1 1/8" BHCS w/Pin, SST .....	2
100351-00	3/8" Tee Nut, SST .....	2
100353-00	3/8" Flange Nut w/Pin, SST .....	3
100365-00	3/8" SAE Flat Washer, SST .....	2
124460-00	3/8" x 3 3/4" BHCS w/Pin, SST .....	1
<b>149233-00</b>	<b>Horizontal Ladder, Hardware Package .....</b>	<b>1</b>
100196-00	3/8" x 7/8" BHCS w/Pin, SST .....	8
100351-00	3/8" Tee Nut, SST .....	8
<b>186344-00</b>	<b>Disc Challenge Hardware Package .....</b>	<b>1</b>
100173-00	3/8" x 2" BHCS, SST .....	5
100196-00	3/8" x 7/8" BHCS w/Pin, SST .....	15
100292-00	3/8" x 1 1/4" BHCS w/Pin Ltd. Thread Bolt, SST .....	5
100349-00	3/8" Low Crown Cap Nut, SST .....	10
100353-00	3/8" Flange Nut w/Pin, SST .....	20
100365-00	3/8" SAE Flat Washer, SST .....	15
138915-00	Bolt Link, SST .....	5
123224-00	3/8" x 1 11/16" BHCS w/Pin, SST .....	5
135302-00	Bushing .....	20
135723-00	3/8" x 1 3/4" Threaded Rod, SST .....	10
156962-00	5/8" O.D. x 1/2" Bushing .....	5
<b>111392-00</b>	<b>2-Hole (SM) Hardware Package .....</b>	<b>5</b>
100266-00	1/2" x 2 3/4" Expansion Anchor .....	10
100322-00	1/2" Standard Hex Nut, SST .....	10
100363-00	1/2" Flat Washer, SST .....	10

\* = To Be Determined By Your Order

DB = Direct Bury

SM = Surface Mount

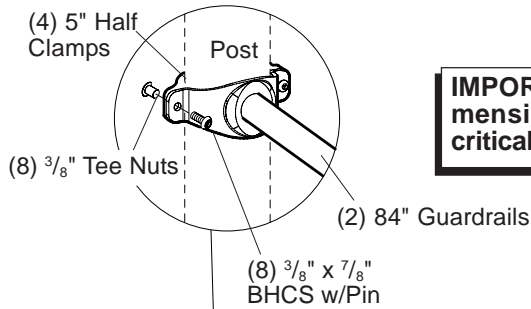
## Specifications

<b>Beam:</b>	Weldment comprised of 2.875" O.D. RS-40 (.160" - .170") galvanized steel tubing, and 1/4" HRPO flat steel. Finish: ProShield®, color specified.
<b>Disc:</b>	Rotationally molded from U.V. stabilized linear low density polyethylene, disc measures 14" in diameter x 7" high, color specified.
<b>Disc Brackets:</b>	Weldment comprised of 1.660" O.D. RS-20 (.085 - .095") galvanized steel tubing and 3/16" x 5" diameter plate. Finish: ProShield, color specified.
<b>Chain:</b>	Steel 1/4" straight link chain, 3,150 lb. working load limit. Finish: Peer Gold.
<b>Handhold:</b>	Weldment comprised of 1.315" O.D. RS-20 (.080" - .090") galvanized steel tubing and 3/16" x 1 1/2" steel clevis. Finish: ProShield, color specified.
<b>Handhold Panel:</b>	Solid color Permalene®, color specified.
<b>Spacer Tube:</b>	Made from 6061-T6 aluminum 7/8" O.D. x 1 11/16". Finish: ProShield, color specified.
<b>Footer:</b>	Weldment comprised of 1.660" (42,16 mm) O.D. RS-40 (.111" - .121") (2,81 mm-3,07 mm) galvanized steel tubing and 1" x 5" x 1/4" (25 mm x 127 mm x 6,35 mm) flat steel. Finish: ProShield, color specified.
<b>Clamp:</b>	Cast aluminum. Finish: ProShield, color specified.
<b>Fasteners:</b>	Primary fasteners shall be socketed and pinned tamperproof in design, stainless steel (SST) per ASTM F 879 unless otherwise indicated (see specific product installation/specifications).
<b>Installation Time:</b>	<b>SM</b> - Approx. 7 man hours <b>DB</b> - Approx. 9 man hours
<b>Concrete Req. Weight:</b>	Approx. 6.5 cu. ft. 208 lbs. (with 2 Handhold Panels) 220 lbs. (with 3 Handhold Panels) 232 lbs. (with 4 Handhold Panels)
<b>Fall Height:</b>	Maximum fall height equals highest deck or disc height.

## Installation Instructions

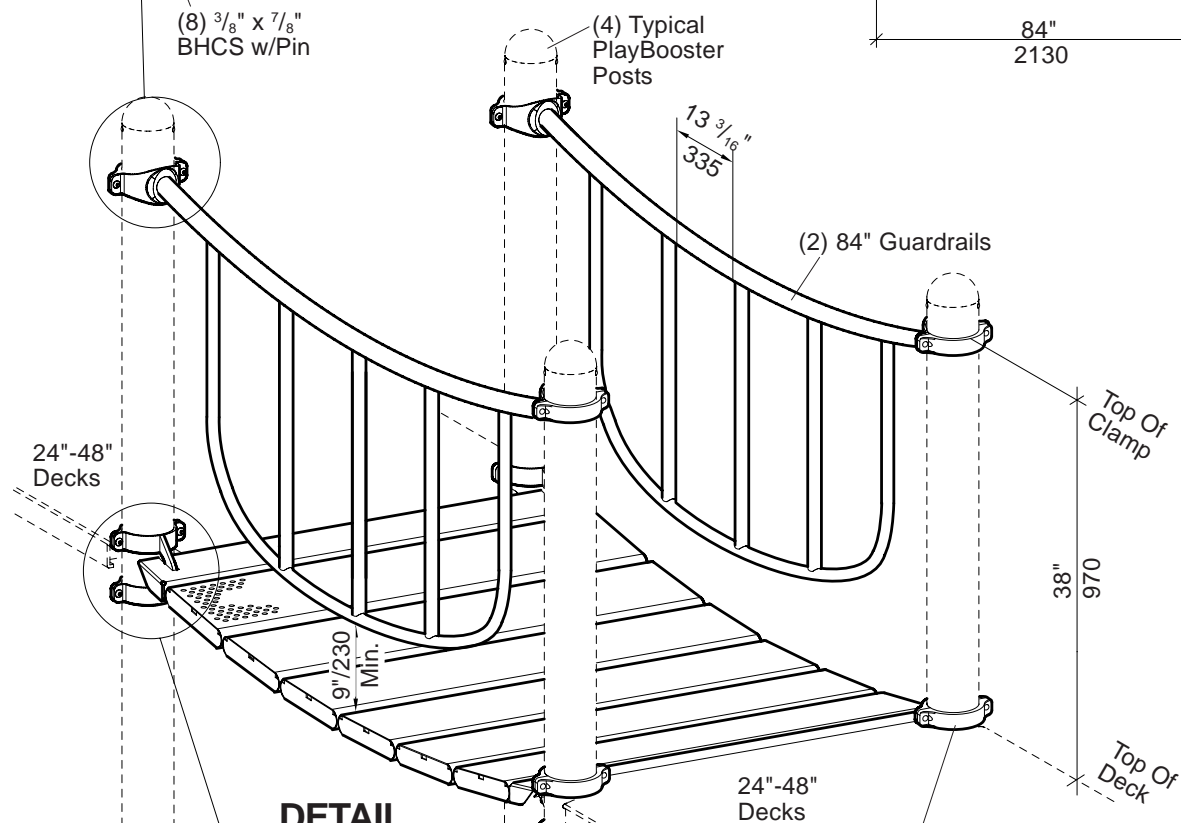
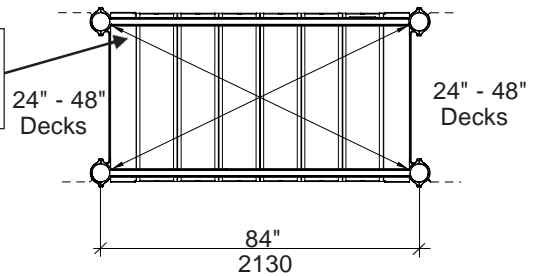
- 1) **(Direct Bury)** Dig footings as shown.
- 2) Attach handhold panels to the face of the deck using  $\frac{3}{8}$ " x  $\frac{7}{8}$ " BHCS w/pin with  $\frac{3}{8}$ " SAE flat washers and  $\frac{3}{8}$ " flange nuts w/pin.
- 3) Attach offset hanger clamps to post at height shown. Using 5" half clamps and  $\frac{3}{8}$ " x  $1\frac{1}{8}$ " BHCS w/pin with  $\frac{3}{8}$ " tee nuts. Refer To The Typical Offset Hanger Clamp Spec Sheet.
- 4) Attach handhold panels to offset hanger clamp assemblies using  $\frac{3}{8}$ " x  $3\frac{3}{4}$ " BHCS w/Pin, spacer tubes and  $\frac{3}{8}$ " flange nuts w/pin. See Handhold Panel Attachment Detail. **NOTE:** *One handhold panel is required for the 8", 16" and 24" deck heights, the 32" and 40" deck heights require two handhold panels.*
- 5) Mark posts for the appropriate height of the beam you are installing.
- 6) Lift disc challenge beam into position and attach to posts using 5" half clamps with  $\frac{3}{8}$ " x  $\frac{7}{8}$ " BHCS w/pin and  $\frac{3}{8}$ " tee nuts. Refer to the Beam Attachment Detail.
- 7) Attach the handholds to the disc challenge beam using bushings, pivot blocks,  $\frac{3}{8}$ " x  $1\frac{3}{4}$ " threaded rods and  $\frac{3}{8}$ " flange nuts w/pin. Refer to the Handhold Assembly Detail. **NOTE:** *Refer to your site plan for disc and deck heights. Deck heights will vary.*
- 8) Attach discs to disc brackets using  $\frac{3}{8}$ " x  $\frac{7}{8}$ " BHCS w/pin with  $\frac{3}{8}$ " SAE flat washers. Refer to the Disc Assembly Detail.
- 9) Attach the disc brackets to the handholds using  $\frac{3}{8}$ " x 2" BHCS and  $\frac{3}{8}$ " low crown cap nuts. Attach the chain to the handholds using  $\frac{3}{8}$ " x  $1\frac{11}{16}$ " BHCS w/pin and  $\frac{3}{8}$ " low crown cap nuts. Refer to the Disc Assembly Detail. **NOTE:** *When attaching the disc bracket to the 16" disc height handhold, the disc bracket and chain share the same hole.*
- 10) Insert  $\frac{5}{8}$ " O.D. x  $\frac{1}{2}$ " long bushings into holes in footers. Attach chains to footers using bolt links and  $\frac{3}{8}$ " x  $1\frac{1}{4}$ " BHCS w/pin limited thread bolts. Refer to the Disc Assembly Detail.
- 11) **(Direct Bury)** With footer plumb and centered under handholds, pour concrete footing. Allow concrete to cure for a minimum of 72 hours before users are allowed to play on the structure.  
  
**(Surface Mount)** Mark anchor bolt locations on concrete slab through holes in footer plates. Move footers aside, and drill 3" deep holes on marks into concrete slab using hammer drill and  $\frac{1}{2}$ " masonry bit. Tap expansion anchors into holes and secure footers using  $\frac{1}{2}$ " standard hex nuts with  $\frac{1}{2}$ " flat washers.
- 12) Install  $\frac{1}{4}$ " x  $\frac{5}{8}$ " drive rivets in 5" half clamps that attach to disc challenge beam. Refer to the Typical Offset Hanger Clamp Spec Sheet.
- 13) Install protective surfacing before users are allowed to play on the structure.

**DETAIL  
GUARDRAIL ATTACHMENT**

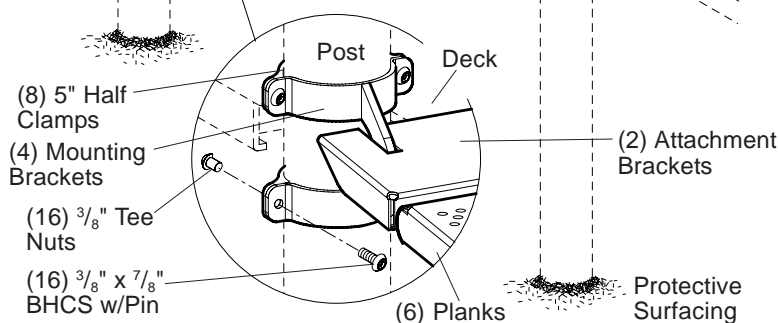


**IMPORTANT: The diagonal dimensions between posts are critical and must be  $88 \frac{15}{16} \pm \frac{1}{4}$ \".**

**PLAN VIEW/FOOTING LAYOUT**



**DETAIL  
MOUNTING BRACKET  
ATTACHMENT**



**NOTE: When attaching mounting bracket, 5\"/>**

## Parts List

Part#	Description	Qty.
141269-00	84" Guardrail, Specify Color .....	2
140396-00	Attachment Brackets, Specify Color .....	2
141222-00	Clatterbridge Planks, Specify Color .....	6
180989-00	Mounting Brackets, Specify Color .....	4
105327-01	5" Half Clamp, Specify Color .....	12
180985-00	Cover Plate, Specify Color .....	12
171677-00	69 1/4" Cable .....	2
148834-00	Bridge Connector w/Bolt, SST .....	4
100610-00	1/4" x 5/8" Drive Rivet, AL/SST .....	8
<b>148830-00</b>	<b>Clatterbridge Hardware Package .....</b>	<b>1</b>
100196-00	3/8" x 7/8" BHCS w/Pin, SST .....	28
100292-00	3/8" x 1 1/4" BHCS w/Pin Ltd. Thread Bolt, SST .....	8
100327-00	3/8" Standard Hex Nut, SST .....	8
100351-00	3/8" Tee Nut, SST .....	16
100365-00	3/8" SAE Flat Washer, SST .....	28
127068-00	7/16" x 2 7/16" BHCS w/Pin Ltd. Thread Bolts, SST .....	4
145021-00	7/16" Hex Jam Nut, SST .....	4
<b>121137-00</b>	<b>Handrail Hardware Package .....</b>	<b>1</b>
100196-00	3/8" x 7/8" BHCS w/Pin, SST .....	8
100351-00	3/8" Tee Nut, SST .....	8
100610-00	1/4" x 5/8" Drive Rivet, AL/SST .....	4

## Specifications

<b>Plank:</b>	Weldment comprised from 12 GA (.105") HRPO plate with 5/16" diameter perforated holes and threaded stainless steel inserts, plank measures 11 7/16" wide x 46 7/8" long. Finish: TenderTuff, color specified.
<b>Attachment Brkt:</b>	Fabricated from 11 GA (.120") HRPO plate. Finish: TenderTuff, color specified.
<b>Mounting Bracket:</b>	Weldment comprised from 1/2" HRPO sheet steel, (2) 1/4" x 1 3/4" steel half clamps and 7/8" diameter 304L stainless steel tube. Finish: ProShield, color specified.
<b>Cover Plate:</b>	Fabricated from 12 GA. (.105") HRPO plate. Finish: ProShield, color specified.
<b>Cable:</b>	Made of tightly woven, polyester-wrapped, six stranded galvanized-steel cable with a PVC wrapped galvanized steel core.
<b>Guardrail:</b>	Weldment comprised of 1.900" O.D. RS-20 (.090" - .100") galvanized steel tubing beam, 1.315" O.D. RS-20 (.080" - .090") and 1/4" x 3 1/4" steel half clamps. Finish: ProShield, color specified.
<b>Half Clamp:</b>	Cast aluminum. Finish: ProShield, color specified.
<b>Fasteners:</b>	Primary fasteners shall be socketed and pinned tamperproof in design, stainless steel (SST) per ASTM F 879 unless otherwise indicated (see specific product installation/specifications).
<b>Installation Time:</b>	Approx. 3 man hours
<b>Weight:</b>	330 lbs.
<b>Fall Height:</b>	Deck Height

## Installation Instructions

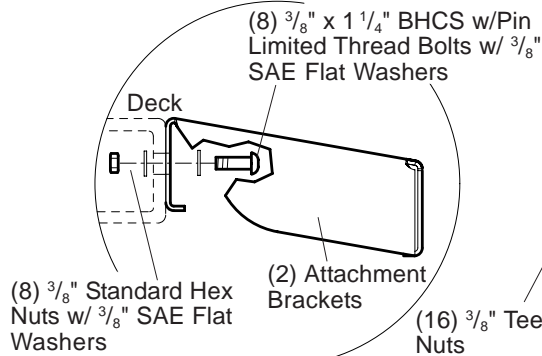
**IMPORTANT:** *The diagonal dimensions between posts are critical and must be within 1/2" of each other.*

- 1) With posts and decks in position, mark clamp locations on posts at the specified height shown.
- 2) Attach guardrails to posts at height shown using 5" half clamps, 3/8" x 7/8" BHCS w/pin and 3/8" tee nuts. Refer to the Guardrail Attachment Detail.
- 3) Attach the mounting brackets to posts using 5" half clamps, 3/8" x 7/8" BHCS w/pin and 3/8" tee nuts. Refer to the Mounting Bracket Attachment Detail. **NOTE:** *When attaching mounting bracket to posts, upper 5" half clamp will set on top of deck. Mounting brackets should be perpendicular to deck with a 42 1/2" dimension from outside to outside of brackets.*
- 4) Turn bridge connectors into cable ends. **NOTE:** *There should be equal spacing between bridge connector and cable end on each end of cable.* Refer to the Cable Attachment Detail.
- 5) Attach bridge connectors to mounting brackets using 7/16" x 2 7/16" BHCS w/pin limited thread bolts. Refer to the Cable Attachment Detail. **NOTE:** *Do not attach 7/16" hex jam nuts to 7/16" x 2 7/16" BHCS w/pin limited thread bolts at this time.*
- 6) Lay a plank across the middle of the cables and use a level to ensure both cables are the same height. If the cables are not the same height, the bridge connectors on one of the cables will have to be turned. Run a string line across the top of the decks. With the plank and string line level the dimension from the top of the plank to the string line should be 3" to 6". Refer to the Cable Tightening Detail.
- 7) Lay planks and attachment brackets on cables. If planks and attachment brackets don't fit between bridge connectors or if planks and attachment brackets have a gap between them, planks and attachment brackets will have to be removed and bridge connectors turned to adjust cables. **NOTE:** *There should not be a gap between planks and attachment brackets.*
- 8) Fasten 7/16" hex jam nuts to 7/16" x 2 7/16" BHCS w/pin limited thread bolts. Refer to the Cable Attachment Detail.
- 9) Attach the attachment brackets to the face of the decks using 3/8" x 1 1/4" BHCS w/pin limited thread bolts with 3/8" SAE flat washers and 3/8" standard hex nuts with 3/8" SAE flat washers. Refer to the Bracket Attachment Detail. **NOTE:** *Tighten until 3/8" x 1 1/4" BHCS w/pin limited thread bolts bottom out. Attachment bracket will still be loose.*
- 10) Attach cover plates to planks using 3/8" x 7/8" BHCS w/pin with 3/8" SAE flat washers. Refer to the Plank Attachment Detail
- 11) Adjust handrails if necessary. Install 1/4" x 5/8" drive rivets in all 5" half clamps. Refer to the Offset Hanger Clamp Spec Sheet.
- 12) Install protective surfacing before users are allowed to play on the structure.

**NOTE: When attaching mounting bracket, 5" half clamp will set on top of deck.**

**DETAIL  
CABLE ATTACHMENT**

**DETAIL  
ATTACHMENT BRACKET**



**NOTE: Tighten until  $\frac{3}{8}$ " x 1  $\frac{1}{4}$ " BHCS w/Pin limited thread bolts bottom out. Attachment bracket will still be loose.**

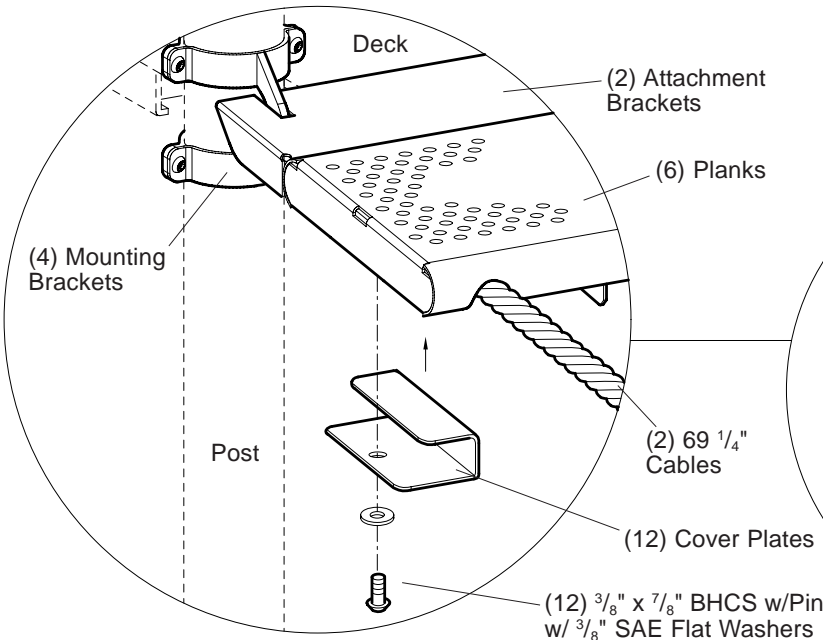
- (16)  $\frac{3}{8}$ " Tee Nuts
- (4) Mounting Brackets
- (16)  $\frac{3}{8}$ " x  $\frac{7}{8}$ " BHCS w/Pin
- (4)  $\frac{7}{16}$ " x 2  $\frac{7}{16}$ " BHCS w/Pin Limited Thread Bolts

- (4) Bridge Connectors

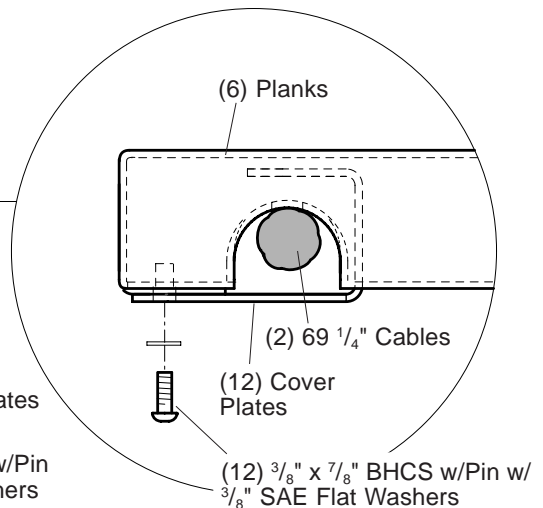
Equal Spacing Each End

- (2) 69  $\frac{1}{4}$ " Cables

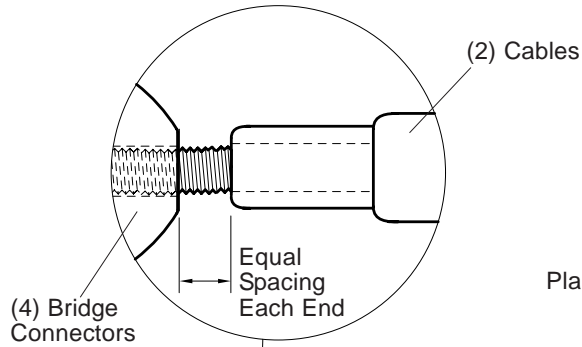
**DETAIL  
PLANK ATTACHMENT**



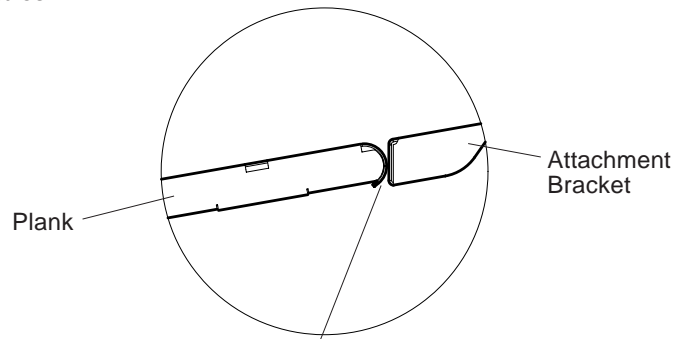
**FRONT VIEW**



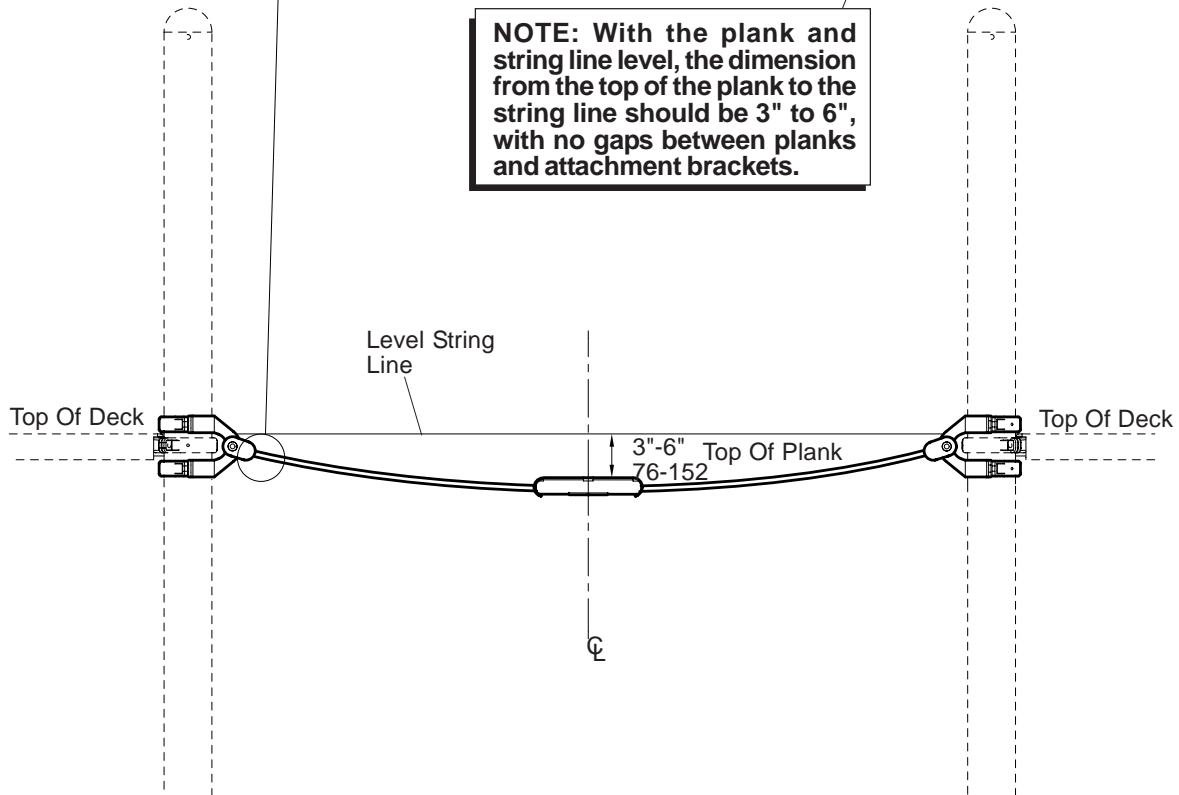
**DETAIL**  
**CABLE TIGHTENING**



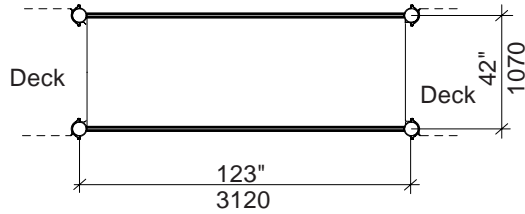
**DETAIL**



**NOTE: With the plank and string line level, the dimension from the top of the plank to the string line should be 3" to 6", with no gaps between planks and attachment brackets.**

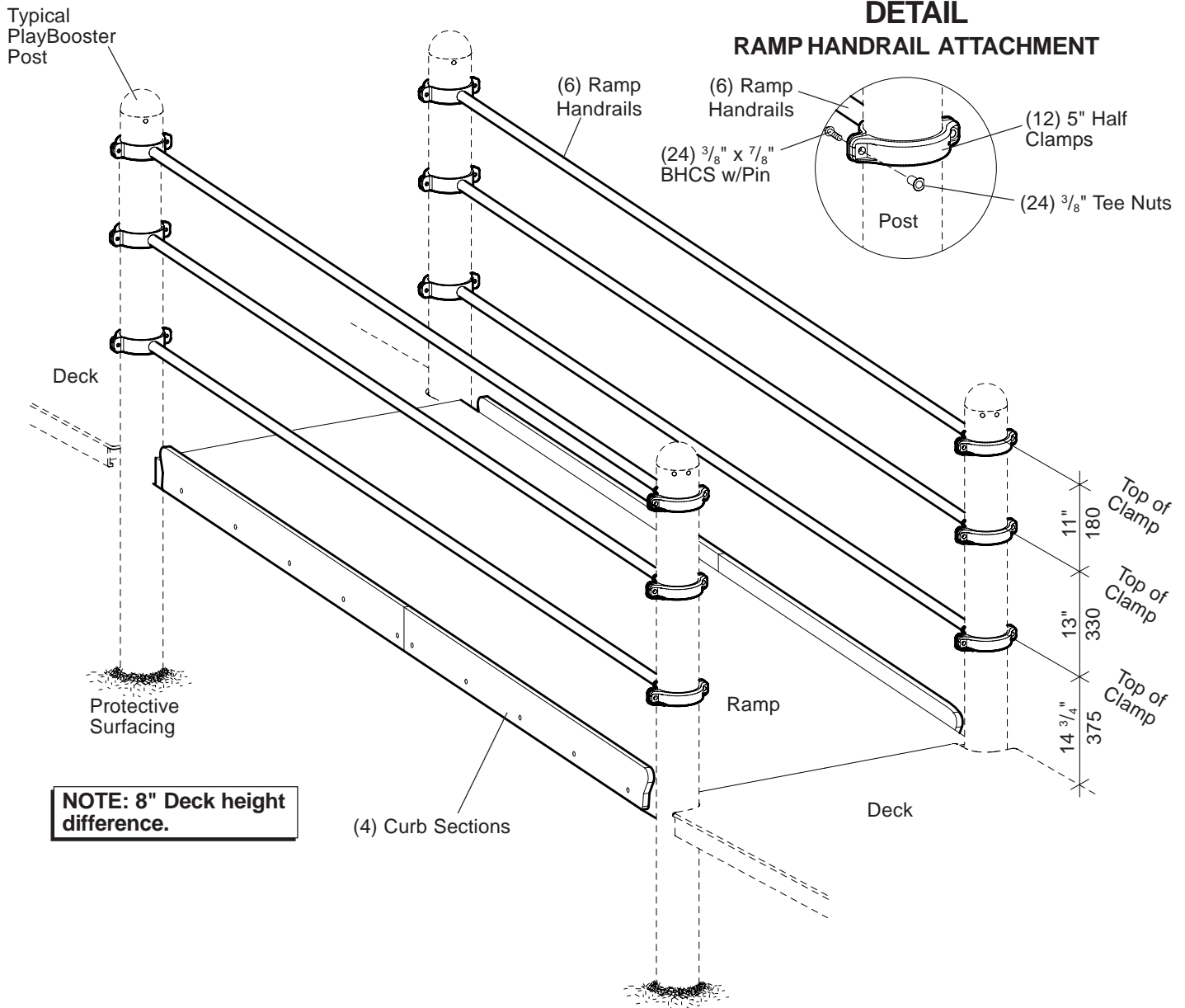


**PLAN VIEW/FOOTING LAYOUT**



**DETAIL**

**RAMP HANDRAIL ATTACHMENT**



**NOTE: 8" Deck height difference.**



J:\SPECS\190\19024600.P65

# PlayBooster® 156232 Ramp, w/Guardrail/Handrails, ASTM

## Parts List

Part#	Description	Qty.
105327-01	5" Half Clamp, Specify Color .....	12
145098-00	Ramp Handrail, Specify Color .....	6
100610-00	1/4" x 5/8" Drive Rivet, AL/SST .....	12
150862-00	Ramp, Specify Color .....	1
129396-00	Bridge/Ramp Curb, Specify Color .....	4
<b>106692-00</b>	<b>Curb Hardware Package</b> .....	1
100196-00	3/8" x 7/8" BHCS w/Pin, SST .....	20
100353-00	3/8" Flange Nut w/Pin, SST .....	20
100362-00	3/8" Flat Washer, SST .....	20
<b>151570-00</b>	<b>Bridge/Ramp Hardware Package</b> .....	1
100198-00	3/8" x 1 1/8" BHCS w/Pin, SST .....	8
100327-00	3/8" Standard Hex Nut, SST .....	8
100362-00	3/8" Flat Washer, SST .....	16
113027-00	3/8" x 1 3/8" BHCS w/Pin, SST .....	2
<b>146212-00</b>	<b>Ramp Handrail Hardware Package</b> .....	1
100196-00	3/8" x 7/8" BHCS w/Pin, SST .....	24
100351-00	3/8" Tee Nut, SST .....	24

## Specifications

**Ramp Handrail:** Weldment comprised of 1.25" x 12 Ga. (.109" Wall) galvanized steel tubing, and 1/4" x 1 3/4" steel half clamp. Finish: ProShield®, color specified.

**Bridge/Ramp:** Weldment comprised of 12 GA (.105") sheet HRPO steel conforming to ASTM A1011 and 3/16" HR flat steel. Standing surface is perforated with 5/16" diameter holes. Finish: TenderTuff™, color specified.

**Curb:** Compression molded solid color 3/4" thick x 5" high U.V. stabilized high-density polyethylene with all edges eased, color specified.

**Clamp:** Cast aluminum. Finish: ProShield, color specified.

**Fasteners:** Primary fasteners shall be socketed and pinned tamperproof in design, stainless steel (SST) per ASTM F 879 unless otherwise indicated (see specific product installation/specifications).

**Installation Time:** Approx. 3 man hours

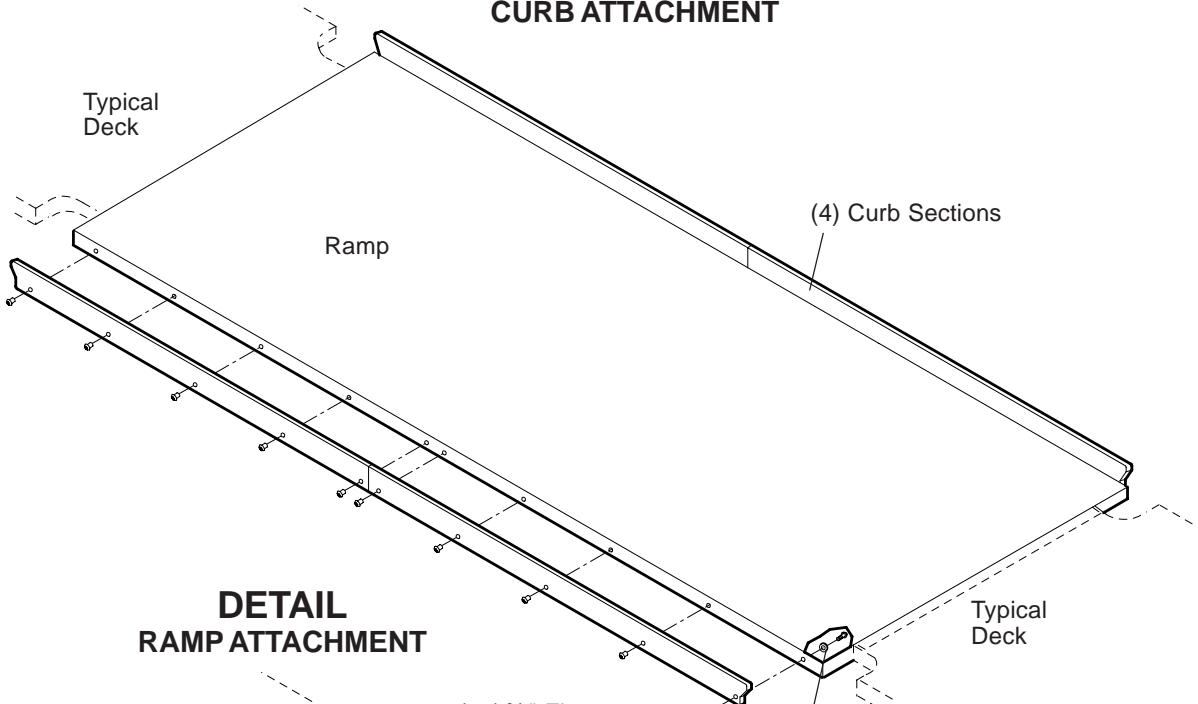
**Weight:** 435 lbs. with Curbs  
405 lbs. without Curbs

## Installation Instructions

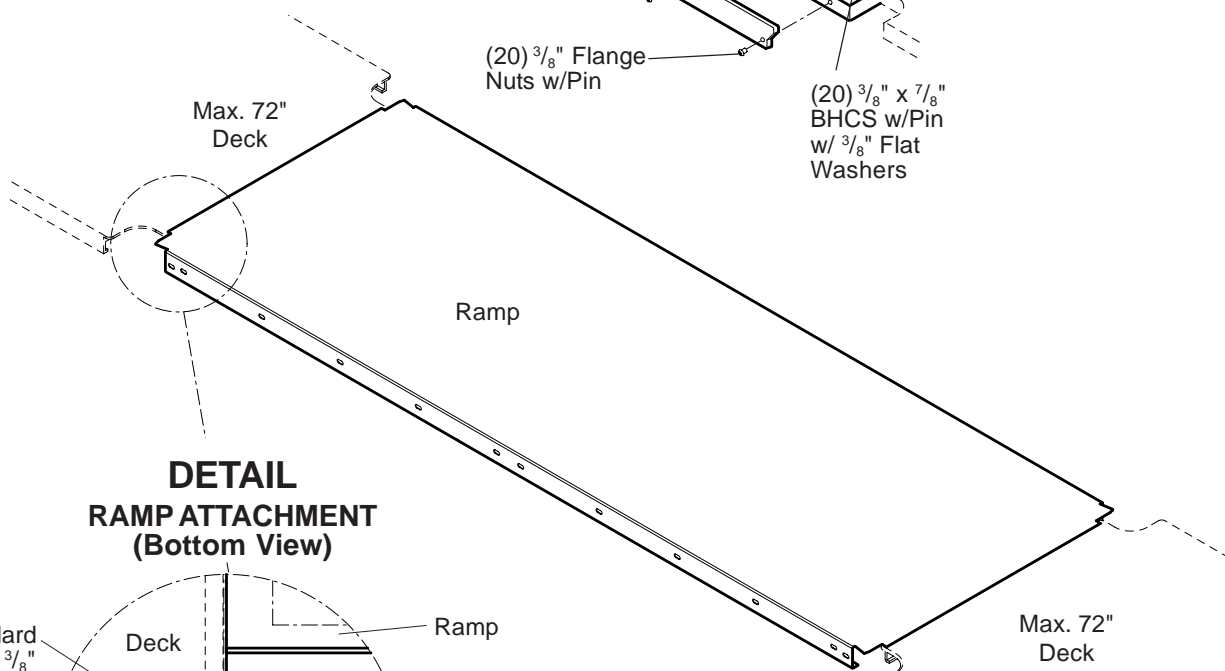
- 1) With posts and decks in position, mark clamp locations on posts at the specified height shown.
- 2) Set Ramp on decks. Fasten Ramp to decks using 3/8" x 1 1/8" BHCS w/pin with 3/8" flat washers and 3/8" standard hex nuts with 3/8" flat washers. Refer to the Ramp Attachment Detail. **NOTE: If your having trouble attaching the 3/8" x 1 1/8" BHCS w/pin due to the thickness of the TenderTuff, use 3/8" x 1 3/8" BHCS w/pin, tighten then replace with 3/8" x 1 1/8" BHCS w/pin.**
- 3) Attach ramp handrails to posts at height shown using 5" half clamps, 3/8" x 7/8" BHCS w/pin and 3/8" tee nuts Refer to the Ramp Handrail Attachment Detail.
- 4) Attach (4) curb sections to faces of Ramp in position shown using 3/8" x 7/8" BHCS w/pin with 3/8" flat washers and 3/8" flange nuts w/pin. Refer to the Curb Attachment Detail.
- 5) Install 1/4" x 5/8" drive rivets in all 5" half clamps. Refer to the Offset Hanger Clamp Spec Sheet.
- 6) Install protective surfacing before users are allowed to play on the structure.



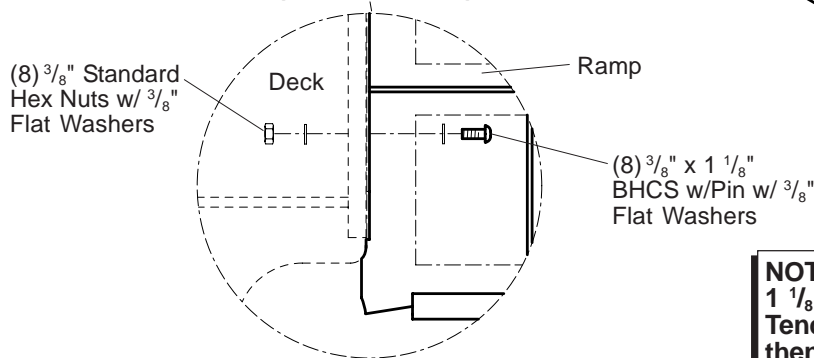
**DETAIL  
 CURB ATTACHMENT**



**DETAIL  
 RAMP ATTACHMENT**

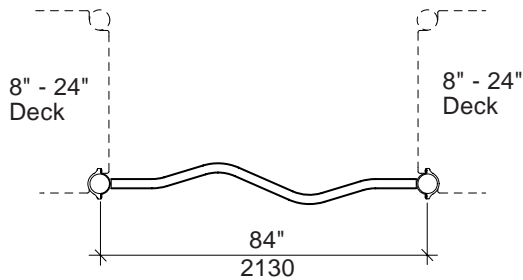


**DETAIL  
 RAMP ATTACHMENT  
 (Bottom View)**

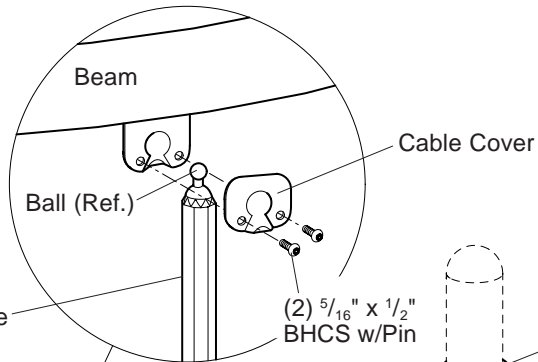


**NOTE: If your having trouble attaching the  $\frac{3}{8}$ " x  $1\frac{1}{8}$ " BHCS w/Pin due to the thickness of the TenderTuff, use  $\frac{3}{8}$ " x  $1\frac{3}{8}$ " BHCS w/Pin, tighten then replace with  $\frac{3}{8}$ " x  $1\frac{1}{8}$ " BHCS w/Pin.**

**PLAN VIEW/FOOTING LAYOUT**



**DETAIL COVER ATTACHMENT**



116" PlayBooster Posts Required

Top of Clamp

70"/1780 (DB)  
72"/1830 (SM)

8" - 24" Deck

Finished Grade

See Attachment Clamp Details

(2) Attachment Clamps

Beam

12" CableCore Cable

11"

280

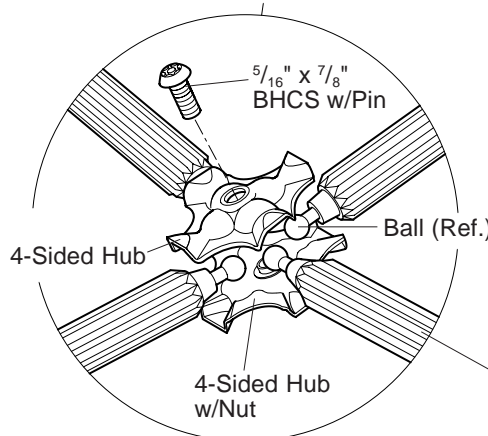
11"

280

16 1/2"/420 (DB)  
18 1/2"/470 (SM)

Protective Surfacing

**DETAIL HUB ASSEMBLY**



**NOTE:**  
 Proper seating of ball in Hub/Cover is important. Hub/Cover must be tight against mating part.

(4) 5" Half Clamps

(4) 1/4" x 5/8" Drive Rivets

(8) 3/8" x 7/8" BHCS w/Pin w/ 3/8" Tee Nuts

See 3-Sided Hub Assembly Detail

See Cable Attachment Detail

8" - 24" Deck

(2) 19" Cables

**NOTE:**  
 Can be attached to 32" & 40" decks if a vertical ladder is used off access decks over 32".

## Parts List

Part#	Description	Qty.
105327-01	5" Half Clamp, Specify Color .....	6
145562-00	12" CableCore Cable, Red .....	52
142732-00	Beam, Specify Color .....	1
132730-00	Cable Cover, Specify Color .....	9
134920-00	4-Sided Hub, Specify Color .....	15
134921-00	4-Sided Hub w/Nut, Specify Color .....	15
134922-00	3-Sided Hub, Specify Color .....	13
134923-00	3-Sided Hub w/Nut, Specify Color .....	13
152707-00	19" Cable, Red .....	2
151787-00	Attachment Clamp, Specify Color .....	2
100610-00	1/4" x 5/8" Drive Rivet, AL/SST .....	6
<b>152734-00</b>	<b>Fish Net Hardware Package .....</b>	<b>1</b>
131849-00	5/16" x 1/2" BHCS w/Pin, SST .....	22
132626-00	5/16" x 7/8" BHCS w/Pin, SST .....	28
100196-00	3/8" x 7/8" BHCS w/Pin, SST .....	12
100351-00	3/8" Tee Nut, SST .....	12

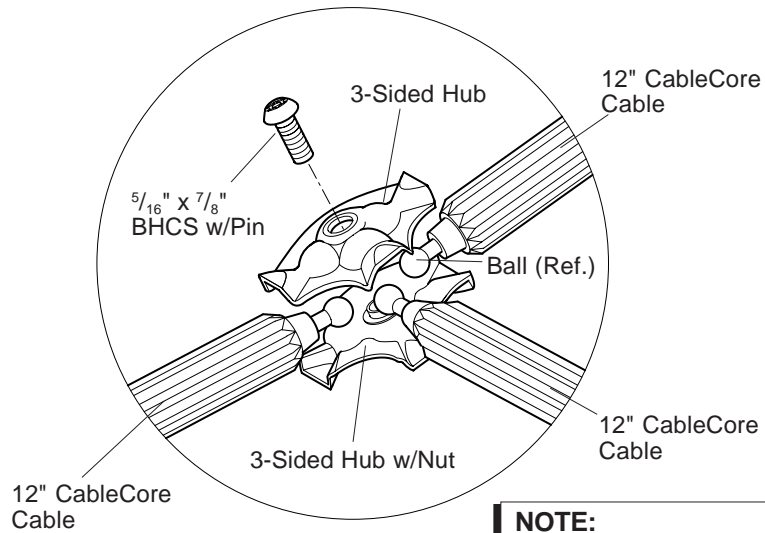
## Specifications

<b>Beam:</b>	Weldment comprised of formed 2.375" O.D. RS-20 (.095" - .105") galvanized steel tubing and 1/4" x 3" wide steel clamps. Finish: ProShield®, color specified.
<b>CableCore:</b>	Made from 3/16" 7-19 galvanized aircraft cable. Coated with U.V. stabilized polyurethane elastomer measuring 1" in diameter, red in color.
<b>Hub/Cover:</b>	Formed from 12 GA (.105") HRPO low carbon sheet steel. Finish: ProShield, color specified.
<b>19" Cable:</b>	Made from 3/16" 7-19 galvanized aircraft cable. Coated with U.V. stabilized polyvinyl chloride (PVC), red in color.
<b>Attachment Clamp:</b>	Weldment comprised of 1/4" HRPO flat steel, 1/4" x 1 1/2" HR flat steel and 1/4" x 1 3/4" wide steel zinc plated clamp. Finish: ProShield, color specified.
<b>Half Clamp:</b>	Cast aluminum. Finish: ProShield, color specified.
<b>Fasteners:</b>	Primary fasteners shall be socketed and pinned tamperproof in design, stainless steel (SST) per ASTM F 879 unless otherwise indicated (see specific product installation/specifications).
<b>Installation Time:</b>	Approx. 2 3/4 man hours
<b>Weight:</b>	67 lbs.
<b>Fall Height:</b>	56" (1420 mm)

## Installation Instructions

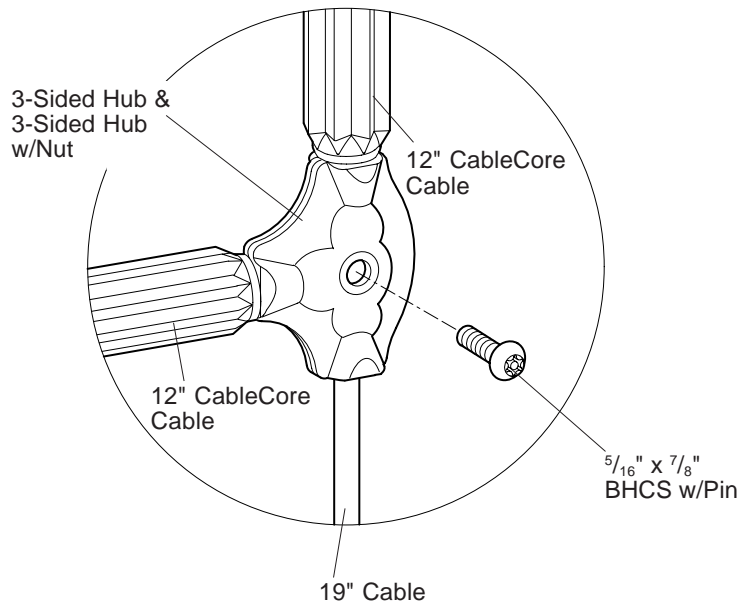
- 1) Assemble the CableCore ladder using CableCore Cables, 3-sided hubs, 3-sided hubs with nuts, 4-sided hubs, 4-sided hubs with nuts, 19" cables, and 5/16" x 7/8" BHCS w/pin. Refer to the Hub Assembly Details and Cable Attachment Detail. **NOTE: Proper seating of ball in Hub/Cover is important. Hub/Cover must be tight against mating part.**
- 2) Attach the CableCore ladder to the beam using cable covers and 5/16" x 1/2" BHCS w/pin. Refer to the Cover Attachment Detail. **NOTE: Proper seating of ball in Hub/Cover is important. Hub/Cover must be tight against mating part.**
- 3) Mark posts for the appropriate height of the beam.
- 4) Fasten beam to marked position on posts using 5" half clamps, 3/8" x 7/8" BHCS w/pin and 3/8" tee nuts, as shown.
- 5) Attach cables to attachment clamps using cable covers and 5/16" x 1/2" BHCS w/pin. Refer to the Attachment Clamp Detail.
- 6) Attach attachment clamps to posts using 5" half clamps, 3/8" x 7/8" BHCS w/pin and 3/8" tee nuts. Refer to the Attachment Clamp Details.
- 7) Install 1/4" x 5/8" drive rivets in all 5" half clamps. Refer to the Offset Hanger Clamp Spec Sheet.
- 8) Install protective surfacing before users are allowed to play on the structure.

**DETAIL**  
**3-SIDED HUB ASSEMBLY**

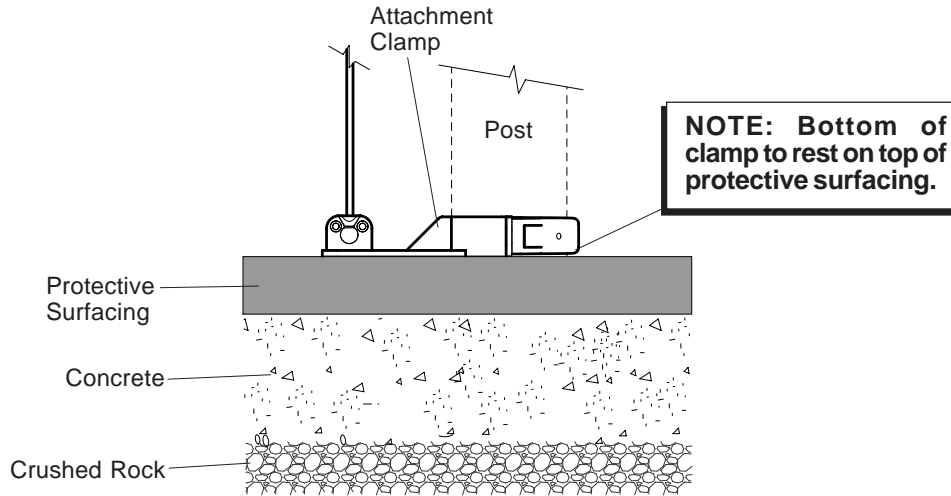


**NOTE:**  
 Proper seating of ball in Hub/Cover is important. Hub/Cover must be tight against mating part.

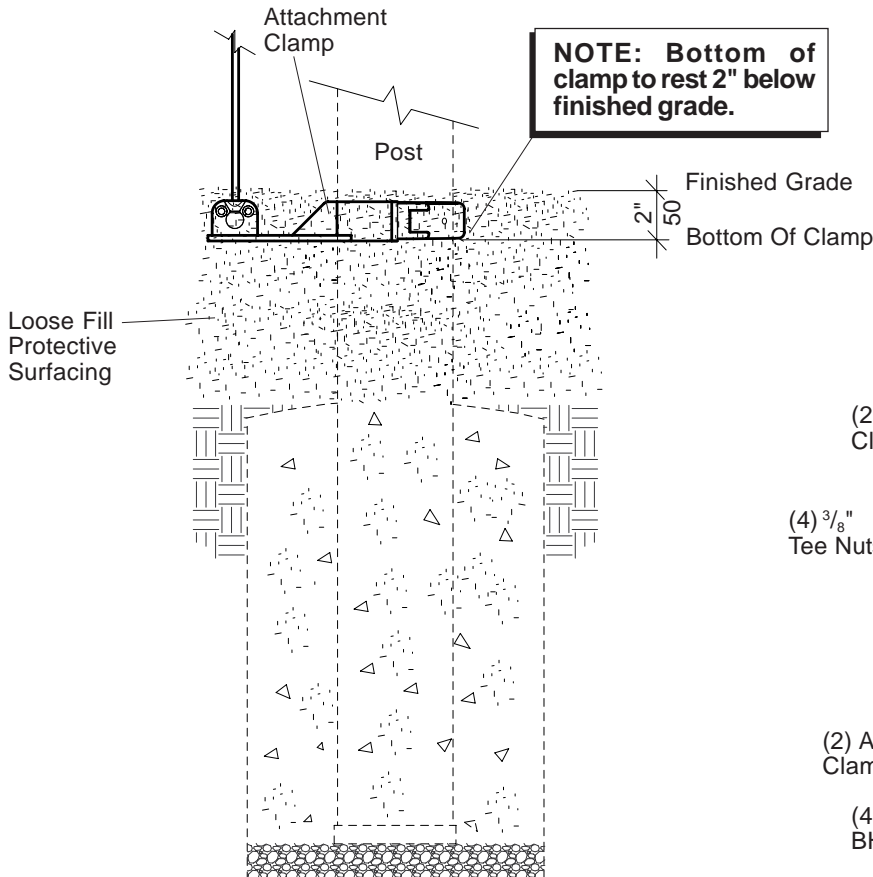
**DETAIL**  
**CABLE ATTACHMENT**



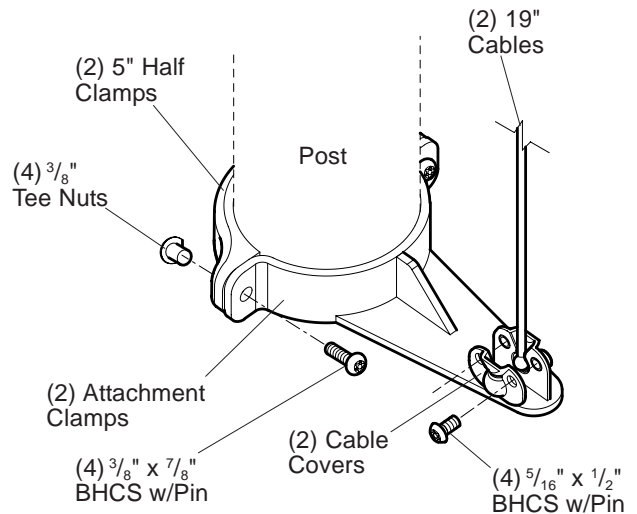
**DETAIL  
SURFACE MOUNT**



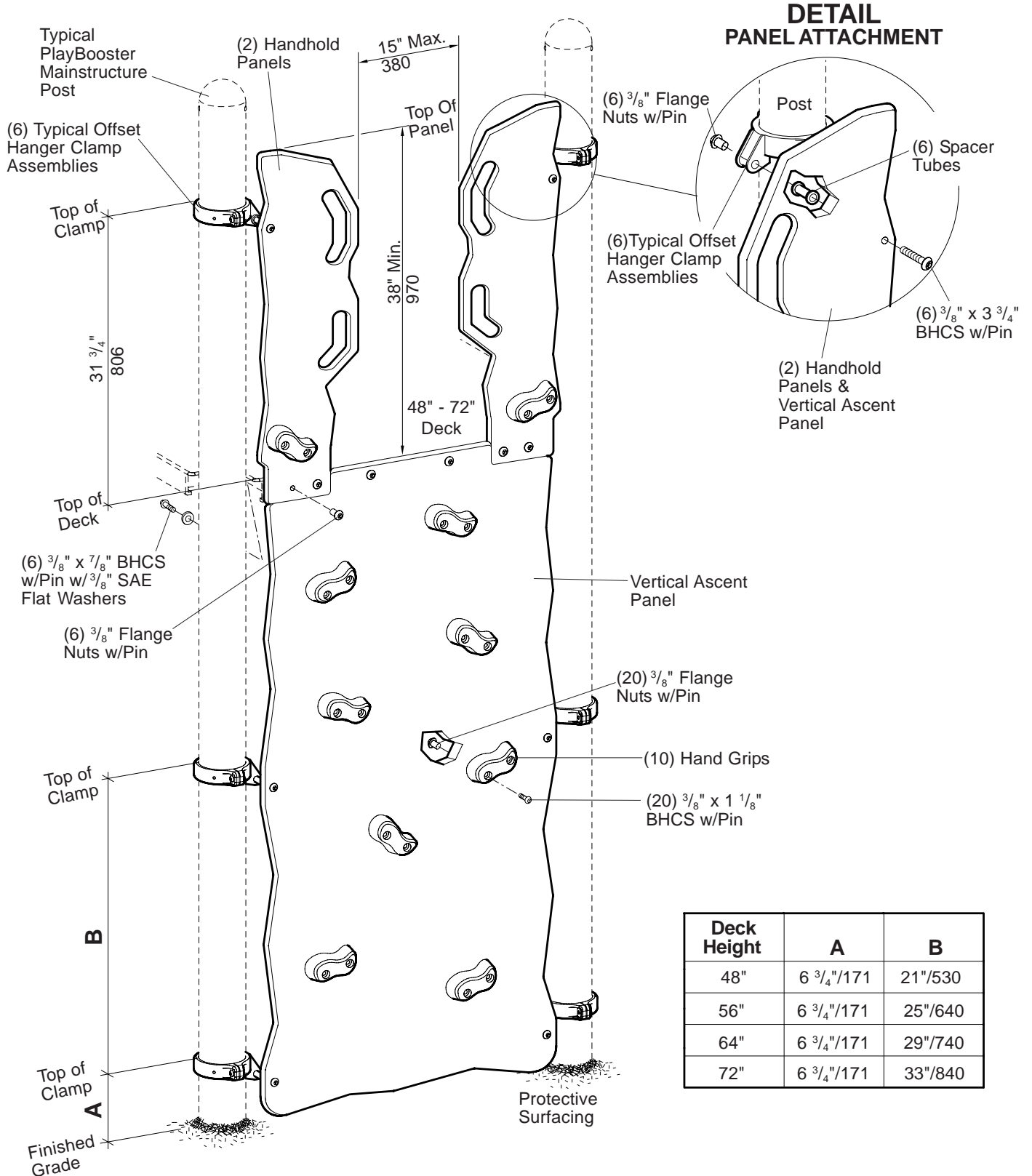
**DETAIL  
DIRECT BURY**



**DETAIL  
ATTACHMENT CLAMP**



**PlayBooster® 126194 Fish Net Climber**



Deck Height	A	B
48"	6 3/4"/171	21"/530
56"	6 3/4"/171	25"/640
64"	6 3/4"/171	29"/740
72"	6 3/4"/171	33"/840

**PlayBooster® 145624 Vertical Ascent®, 48"-72"**

601 7TH STREET SOUTH, DELANO, MINNESOTA 55328-8605 (763) 972-3391 1-888-LSI-INST (1-888-574-4678) FAX (763) 972-3185



# PlayBooster® 145624 Vertical Ascent®, 48"-72"

J:\SPECS\182\18298100.P65

## Parts List

Part#	Description	Qty.
182957-00	Vertical Ascent Handhold Panel, Specify Color .....	2
145597-00	Vertical Ascent Panel, 48" Deck, Specify Color .....	1
145596-00	Vertical Ascent Panel, 56" Deck, Specify Color .....	1
145595-00	Vertical Ascent Panel, 64" Deck, Specify Color .....	1
145585-00	Vertical Ascent Panel, 72" Deck, Specify Color .....	1
105327-01	5" Half Clamp, Specify Color .....	6
113729-00	Offset Hanger Clamp, Specify Color .....	6
113468-00	Spacer Tube, Specify Color .....	6
100610-00	1/4" x 5/8" Drive Rivet, AL/SST .....	6
<b>145792-00</b>	<b>Hand Grip Set .....</b>	<b>1</b>
143110-00	Hand Grip, Blue .....	2
143110-00	Hand Grip, Yellow .....	2
143110-00	Hand Grip, Red .....	3
143110-00	Hand Grip, Green .....	3
<b>145616-00</b>	<b>Vertical Ascent Hardware Package .....</b>	<b>1</b>
100196-00	3/8" x 7/8" BHCS w/Pin, SST .....	6
100198-00	3/8" x 1 1/8" BHCS w/Pin, SST .....	32
100351-00	3/8" Tee Nut, SST .....	12
100353-00	3/8" Flange Nut w/Pin, SST .....	32
100365-00	3/8" SAE Flat Washer, SST .....	6
124460-00	3/8" x 3 3/4" BHCS w/Pin, SST .....	6

## Specifications

**Hand Grip:** Made from Polyester Resin. Hand Grips measure approx. 5 3/4" long x 2 1/4" wide x 1 3/4" high.

**Panels:** Solid color Permalene®, color specified.

**Spacer Tube:** Made from 6061-T6 aluminum 7/8" O.D. Finish: ProShield®, color specified.

**Clamps:** Cast aluminum. Finish: ProShield, color specified.

**Fasteners:** Primary fasteners shall be socketed and pinned tamperproof in design, stainless steel (SST) per ASTM F 879 unless otherwise indicated (see specific product installation/specifications).

**Installation Time:** Approx. 2 man hours

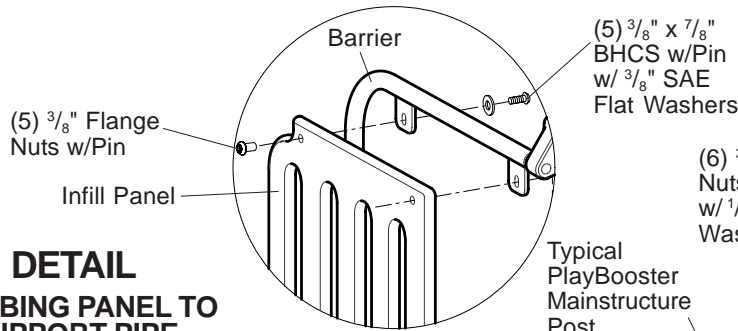
**Weight:** 48" Deck Height - 83 lbs.  
56" Deck Height - 91 lbs.  
64" Deck Height - 99 lbs.  
72" Deck Height - 106 lbs.

**Fall Height:** 53 1/2"/1358 (48" Deck Height)  
61 1/2"/1562 (56" Deck Height)  
69 1/2"/1765 (64" Deck Height)  
77 1/2"/1968 (72" Deck Height)

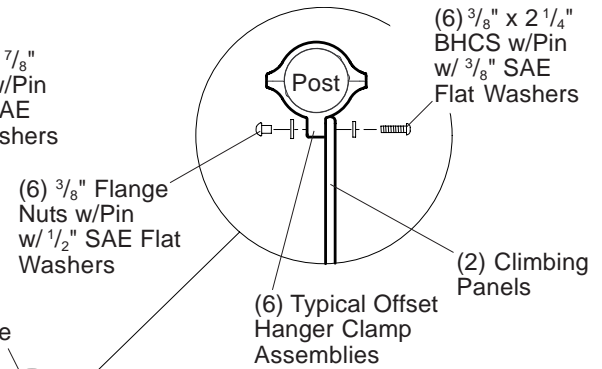
## Installation Instructions

- 1) Attach handhold panels and vertical ascent panel to deck using 3/8" x 7/8" BHCS w/pin with 3/8" SAE flat washers and 3/8" flange nuts w/pin, as shown.
- 2) Attach handhold panels and vertical ascent panel to offset hanger clamps using 3/8" x 3 3/4" BHCS w/pin, spacer tubes and 3/8" flange nuts w/pin. Refer to the Panel Attachment Detail.
- 3) Attach offset hanger clamps to posts at heights shown using 5" half clamps, 3/8" x 1 1/8" BHCS w/pin and 3/8" tee nuts. Refer to the Typical Offset Hanger Clamp Spec Sheet.
- 4) Attach hand grips to handhold panels and vertical ascent panel using 3/8" x 1 1/8" BHCS w/pin and 3/8" flange nuts w/pin, as shown.
- 5) Install 1/4" x 5/8" drive rivets in all 5" half clamps. Refer to the Typical Offset Hanger Clamp Spec Sheet.
- 6) Install protective surfacing before users are allowed to play on the structure.

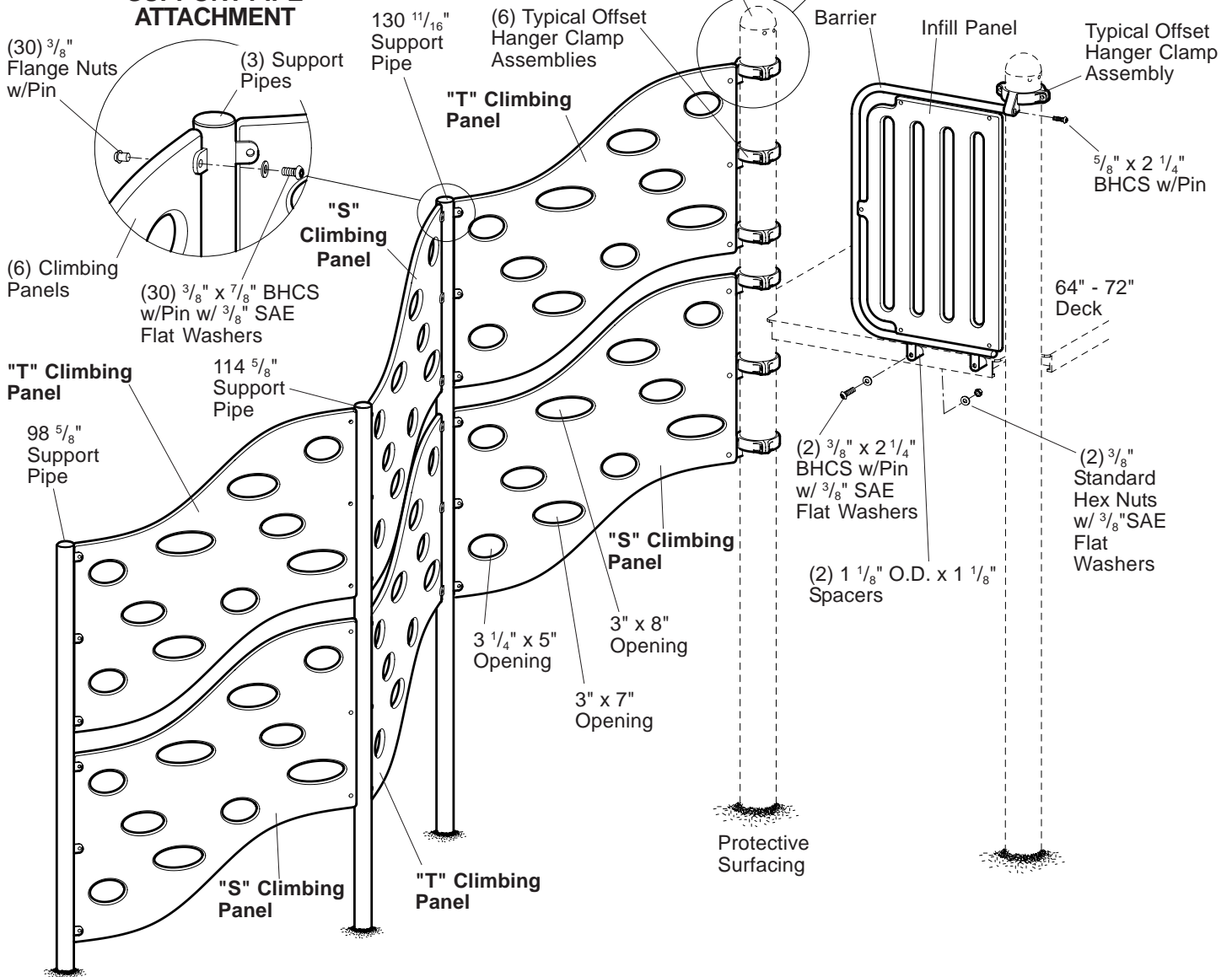
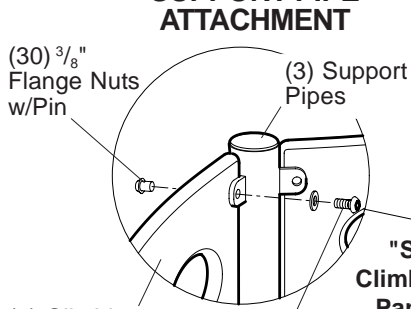
**DETAIL  
INFILL PANEL ATTACHMENT**



**DETAIL  
CLIMBING PANEL TO CLAMP  
ATTACHMENT**



**DETAIL  
CLIMBING PANEL TO  
SUPPORT PIPE  
ATTACHMENT**





## Parts List

Part#	Description	Qty.
100610-00	1/4" x 5/8" Drive Rivet, AL/SST .....	7
105327-01	5" Half Clamp, Specify Color .....	7
113729-00	5" Offset Hanger Clamp, Specify Color .....	7
150602-00	"S" Climbing Panel, Specify Color .....	3
186016-00	"T" Climbing Panel, Specify Color .....	3
150603-00	98 5/8" Support Pipe, Specify Color .....	1
150606-00	114 5/8" Support Pipe, Specify Color .....	1
150609-00	130 11/16" Support Pipe, Specify Color .....	1
170930-00	Barrier, Specify Color .....	1
170931-00	Barrier Infill Panel, Specify Color .....	1
151072-00	1 1/8" O.D. x 1 1/8" Spacer, Specify Color .....	2
<b>170932-00</b>	<b>Cascade Climber Hardware Package 64/72 .....</b>	<b>1</b>
100196-00	3/8" x 7/8" BHCS w/Pin, SST .....	35
100198-00	3/8" x 1 1/8" BHCS w/Pin, SST .....	14
100199-00	3/8" x 2 1/4" BHCS w/Pin, SST .....	8
100203-00	5/8" x 2 1/4" BHCS w/Pin, SST .....	1
100327-00	3/8" Standard Hex Nut, SST .....	2
100351-00	3/8" Mod T-Nut, SST .....	14
100353-00	3/8" Flange Nut w/Pin, SST .....	41
100365-00	3/8" SAE Flat Washer, SST .....	45
113550-00	1/2" SAE Flat Washer, SST .....	6

## Specifications

**Panels:** Solid color Permalene®, color specified.

**Barrier:** Weldment comprised of 1.125" O.D. 11 Ga. (.120") steel tube per ASTM A513 with 203 or 303 stainless steel threaded inserts with 5/8" internal threads and 1/4" tabs. Finish: TenderTuff™, color specified.

**Support Pipe:** Weldment comprised of 2.375" O.D. RS40 (.130"-.140" wall) galvanized steel tube, 1/4" x 1 1/4" HRPO flat steel and 12 Ga. (.105") sheet HRPO steel. Finish: ProShield, color specified.

**Clamps:** Cast aluminum. Finish: ProShield®, color specified.

**Fasteners:** Primary fasteners shall be socketed and pinned tamperproof in design, stainless steel (SST) per ASTM F 879 unless otherwise indicated (see specific product installation/specifications).

**Installation Time:** 3 1/4 man hours

**Weight:** 309 lbs.

**Concrete:** Approx. 3.9 cu. ft.

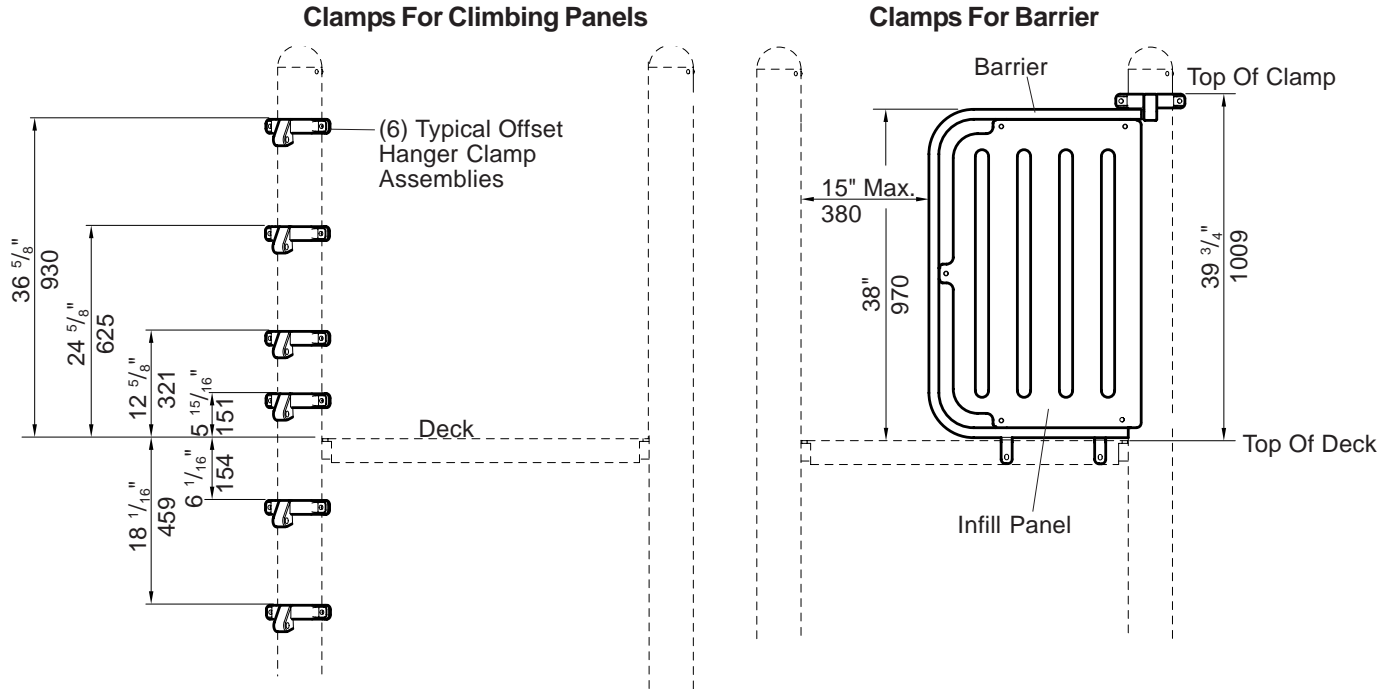
**Fall Height:** Deck Height

## Installation Instructions

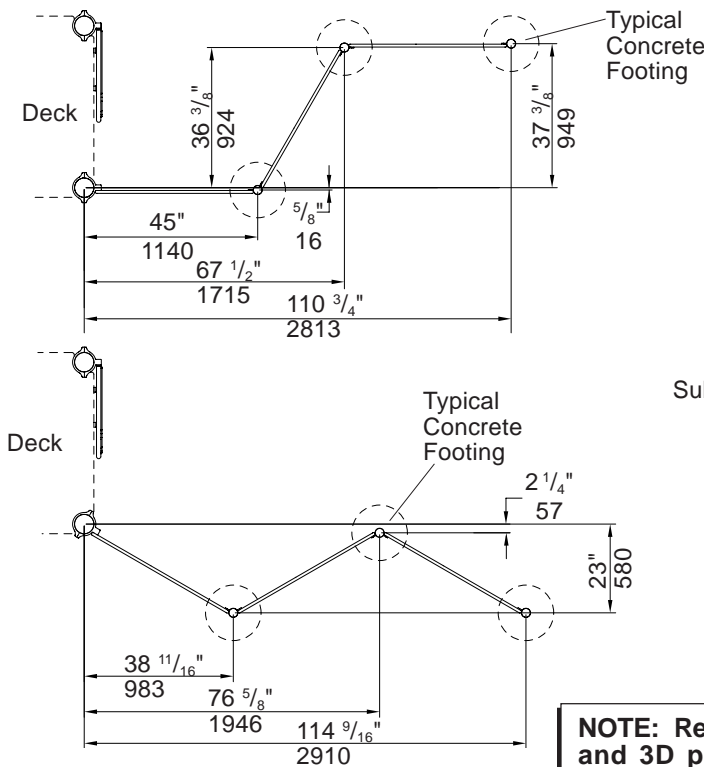
**Refer to your 2D and 3D plan for your configuration.**

- 1) Dig footings to depths and spacing, as shown.
- 2) Attach offset hanger clamp assemblies to posts at height shown, using 5" half clamps, 3/8" x 1 1/8" BHCS w/pin and 3/8" tee nuts. Refer to the Typical Offset Hanger Clamp Spec Sheet.
- 3) Place support pipes in footing holes.
- 4) Attach climbing panels to offset hanger clamps, using 3/8" x 2 1/4" BHCS w/pin with 3/8" SAE flat washers and 3/8" flange nuts w/pin with 1/2" SAE flat washers. Refer to the Climbing Panel to Clamp Attachment Detail.
- 5) Attach climbing panels to support pipes, using 3/8" x 7/8" BHCS w/pin with 3/8" SAE flat washers and 3/8" flange nuts w/pin. Refer to the Climbing Panel to Support Pipe Attachment Detail.
- 6) Attach barrier to offset hanger clamp assembly using 5/8" x 2 1/4" BHCS w/pin.
- 7) Place 1 1/8" O.D. x 1 1/8" spacers between barrier tabs and deck. Attach barrier to deck using 3/8" x 2 1/4" BHCS w/pin with 3/8" SAE flat washers and 3/8" standard hex nuts with 3/8" SAE flat washers.
- 8) Attach infill panel to barrier using 3/8" x 7/8" BHCS w/pin with 3/8" SAE flat washers and 3/8" flange nuts w/pin. Refer to the Infill Panel Attachment Detail.
- 9) Install 1/4" x 5/8" drive rivets in all 5" half clamps. Drill through hole in 5" half clamps and into 5" post with a 1/4" or "F" (only) drill bit, insert drive rivet in hole through clamp and into post. Hammer drive rivet pin in until flush with head. Refer to the Typical Offset Hanger Clamp Spec Sheet.
- 10) With support pipes plumb, pour concrete footings. Allow concrete footings to cure a minimum of 72 hours before users are allowed to play on the structure.
- 11) Install protective surfacing before users are allowed to play on the structure.

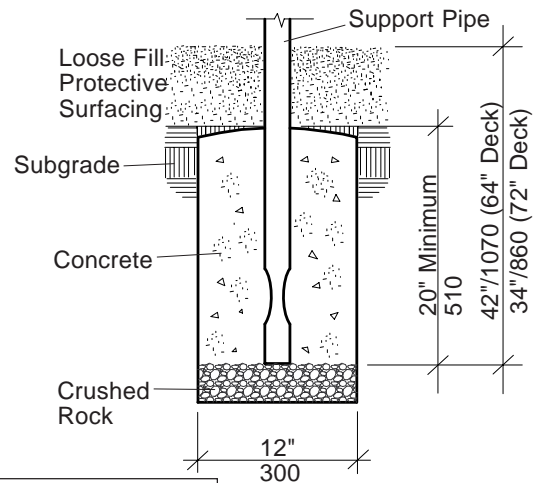
**DETAIL  
 CLAMP ATTACHMENT**



**PLAN VIEW/FOOTING LAYOUTS**

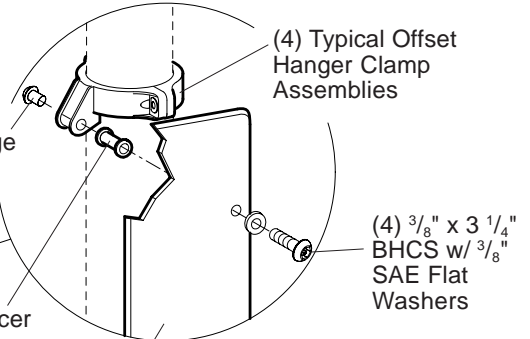


**DETAIL  
 DIRECT BURY**

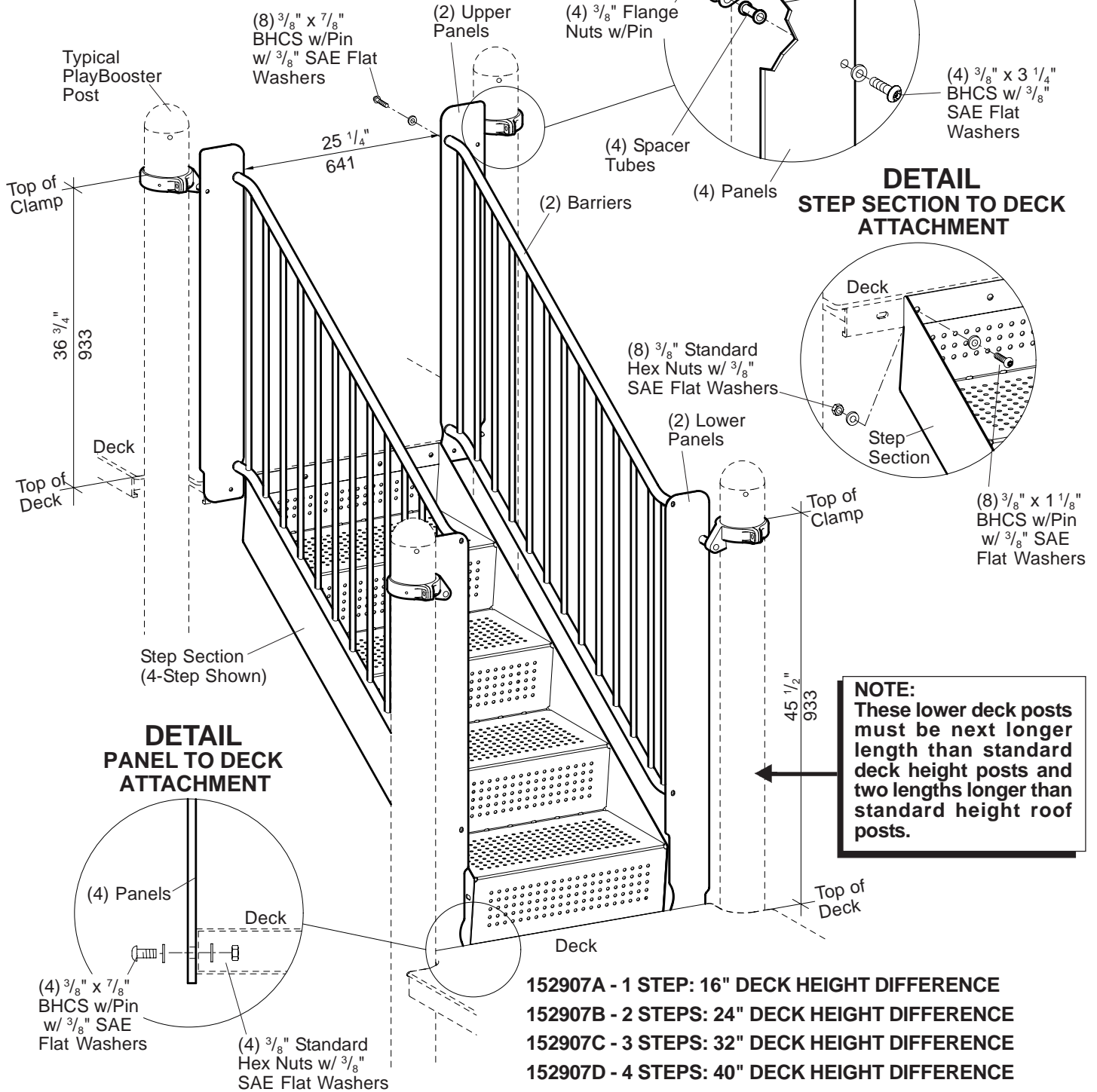
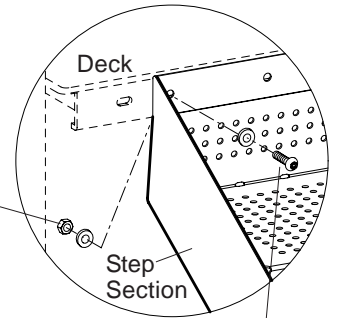


**NOTE: Refer to your 2D and 3D plan for your configuration.**

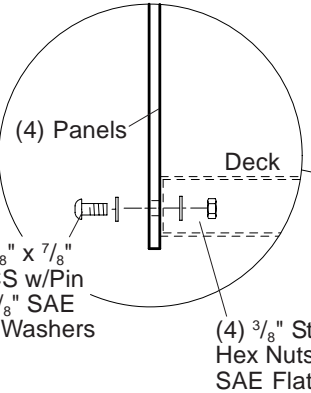
**DETAIL  
PANEL TO CLAMP  
ATTACHMENT**



**DETAIL  
STEP SECTION TO DECK  
ATTACHMENT**



**DETAIL  
PANEL TO DECK  
ATTACHMENT**



**NOTE:**  
These lower deck posts must be next longer length than standard deck height posts and two lengths longer than standard height roof posts.

- 152907A - 1 STEP: 16" DECK HEIGHT DIFFERENCE
- 152907B - 2 STEPS: 24" DECK HEIGHT DIFFERENCE
- 152907C - 3 STEPS: 32" DECK HEIGHT DIFFERENCE
- 152907D - 4 STEPS: 40" DECK HEIGHT DIFFERENCE

## Parts List

Part#	Description	Qty.
144696-00	1-Step Section, Specify Color .....	1
144698-00	2-Step Section, Specify Color .....	1
144700-00	3-Step Section, Specify Color .....	1
144702-00	4-Step Section, Specify Color .....	1
144703-00	1-Step Barrier, Specify Color .....	2
144705-00	2-Step Barrier, Specify Color .....	2
144707-00	3-Step Barrier, Specify Color .....	2
144709-00	4-Step Barrier, Specify Color .....	2
153896-00	Lower Panel, Specify Color .....	2
153895-00	Upper Panel, Specify Color .....	2
113468-00	Spacer Tube, Specify Color .....	4
100610-00	1/4" x 5/8" Drive Rivet, AL/SST .....	4
105327-01	5" Half Clamp, Specify Color .....	4
113729-00	Offset Hanger Clamp, Specify Color .....	4
<b>156283-00</b>	<b>Deck Link Barr/Hrail Hardware Package .....</b>	<b>1</b>
100168-00	3/8" x 3 1/4" BHCS, SST .....	4
100196-00	3/8" x 7/8" BHCS w/Pin, SST .....	12
100198-00	3/8" x 1 1/8" BHCS w/Pin, SST .....	16
100327-00	3/8" Standard Hex Nut, SST .....	12
100351-00	3/8" Tee Nut, SST .....	8
100353-00	3/8" Flange Nut w/Pin, SST .....	4
100365-00	3/8" SAE Flat Washer, SST .....	36

## Specifications

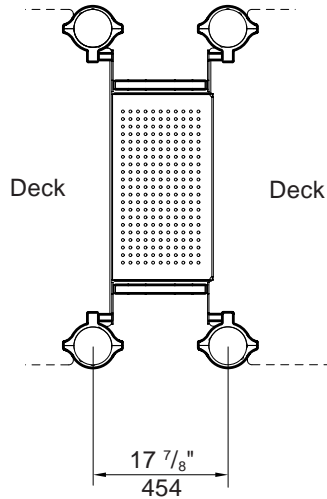
<b>Panels:</b>	Zinc plated 7 GA. (.179") HR flat steel. Finish: ProShield®, color specified.
<b>Step Section:</b>	Formed from 12 GA (.105) sheet steel conforming to ASTM A1011. Standing surface is 24 3/8" wide x 14" deep and is perforated with 5/16" diameter holes. Finish: TenderTuff, color specified.
<b>Barrier:</b>	Weldment comprised of 1.125" O.D. x 11 Ga. (.120" wall) steel tubing, 5/8" O.D. steel bar with 203 or 303 stainless steel inserts with 3/8" internal threads. Finish: TenderTuff, color specified.
<b>Spacer Tube:</b>	Made from 6061-T6 aluminum 7/8" O.D. x 1 11/16". Finish: ProShield, color specified.
<b>Clamps:</b>	Cast aluminum. Finish: ProShield, color specified.
<b>Fasteners:</b>	Primary fasteners shall be socketed and pinned tamperproof in design, stainless steel (SST) per ASTM F 879 unless otherwise indicated (see specific product installation/specifications).
<b>Installation Time:</b>	Approx. 1 1/2 man hours
<b>Weight:</b>	1-Step - 130 lbs. 2-Step - 182 lbs. 3-Step - 236 lbs. 4-Step - 296 lbs.
<b>Fall Height:</b>	Deck Height

## Installation Instructions

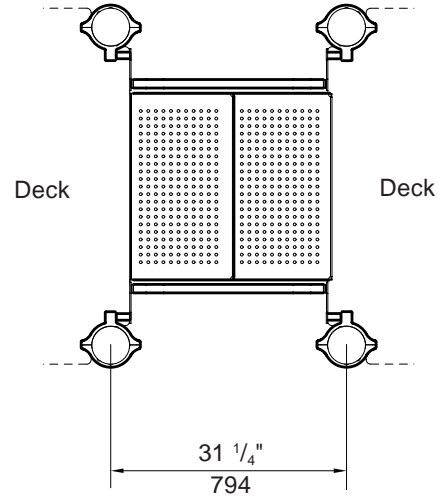
- 1) Attach step section to decks using 3/8" x 1 1/8" BHCS w/pin with 3/8" SAE flat washers and 3/8" standard hex nuts with 3/8" SAE flat washers, as shown. Refer to the Step Section To Deck Attachment Detail.
- 2) Attach upper and lower panels to the face of the deck using 3/8" x 7/8" BHCS w/pin with 3/8" SAE flat washers and 3/8" standard hex nuts with 3/8" SAE flat washers. Refer to the Panel to Deck Attachment Detail.
- 3) Attach offset hanger clamps to posts at heights shown using 5" half clamps, 3/8" x 1 1/8" BHCS w/pin with 3/8" tee nuts. Refer to the Typical Offset Hanger Clamp Spec Sheet.
- 4) Attach upper and lower panels to offset hanger clamps using 3/8" x 3 1/4" BHCS with 3/8" SAE flat washers, spacer tubes and 3/8" flange nuts w/pin. Refer to the Panel To Clamp Attachment Detail.
- 5) Attach barriers to upper and lower panels using 3/8" x 7/8" BHCS w/pin and 3/8" SAE flat washers, as shown.
- 6) Install 1/4" x 5/8" drive rivets in all 5" half clamps. Refer to the Typical Offset Hanger Clamp Spec Sheet.
- 7) Install protective surfacing before users are allowed to play on the structure.

**PLAN VIEW/FOOTING LAYOUTS**

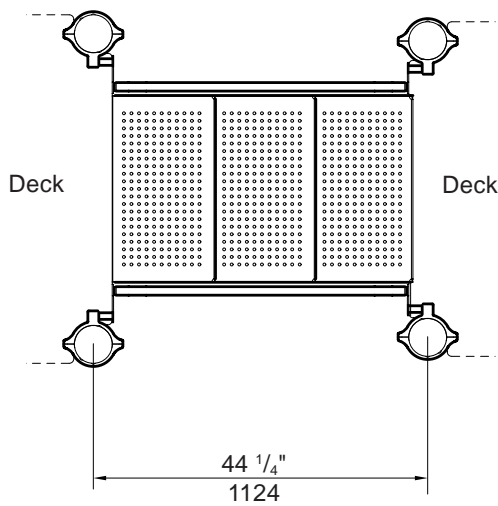
**FOOTINGS/ 1-STEP**



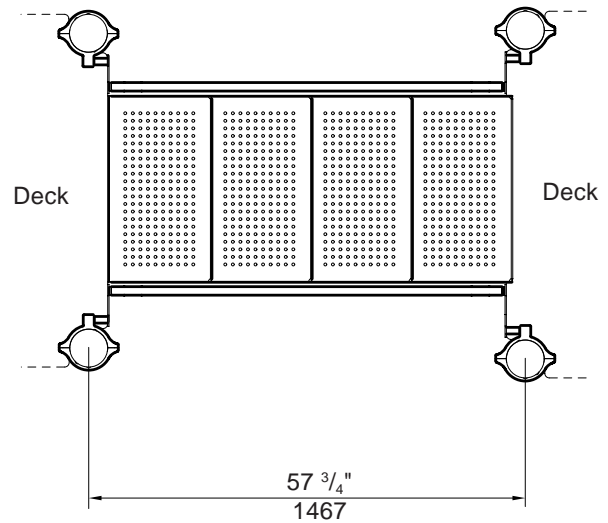
**FOOTINGS/ 2-STEP**

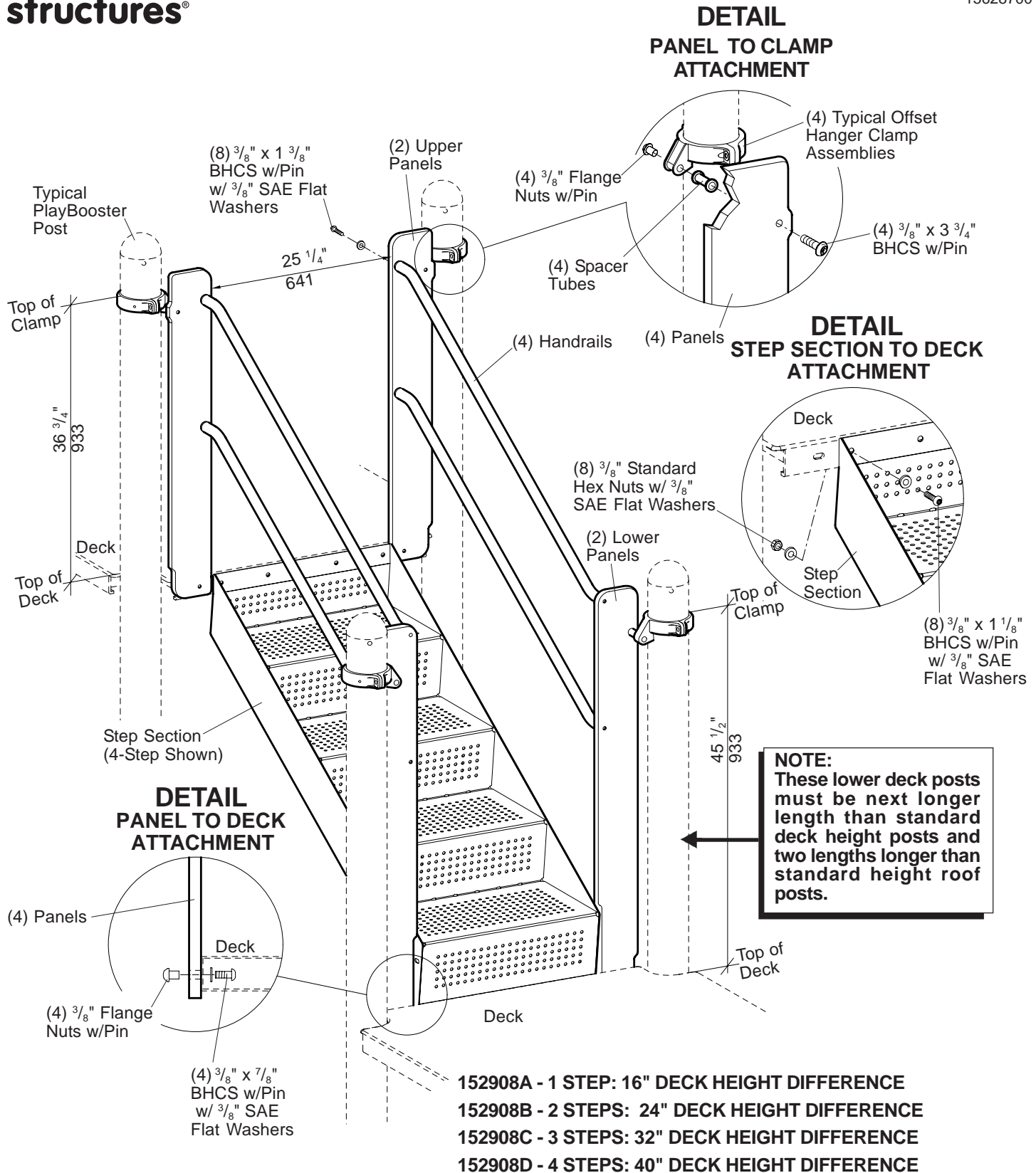


**FOOTINGS/ 3-STEP**



**FOOTINGS/ 4-STEP**







J:\SPECS\156\15628700.P65

# PlayBooster® 152908 Deck Link, w/Handrails

## Parts List

Part#	Description	Qty.
144696-00	1-Step Section, Specify Color .....	1
144698-00	2-Step Section, Specify Color .....	1
144700-00	3-Step Section, Specify Color .....	1
144702-00	4-Step Section, Specify Color .....	1
144704-00	1-Step Handrail, Specify Color .....	4
144706-00	2-Step Handrail, Specify Color .....	4
144708-00	3-Step Handrail, Specify Color .....	4
144710-00	4-Step Handrail, Specify Color .....	4
144712-00	Lower Panel, Specify Color .....	2
144711-00	Upper Panel, Specify Color .....	2
113468-00	Spacer Tube, Specify Color .....	4
100610-00	1/4" x 5/8" Drive Rivet, AL/SST .....	4
105327-01	5" Half Clamp, Specify Color .....	4
113729-00	Offset Hanger Clamp, Specify Color .....	4
<b>156286-00</b>	<b>Deck Link/Handrail Hardware Package .....</b>	<b>1</b>
100196-00	3/8" x 7/8" BHCS w/Pin, SST .....	4
100198-00	3/8" x 1 1/8" BHCS w/Pin, SST .....	16
100327-00	3/8" Standard Hex Nut, SST .....	8
100351-00	3/8" Tee Nut, SST .....	8
100353-00	3/8" Flange Nut w/Pin, SST .....	8
100365-00	3/8" SAE Flat Washer, SST .....	28
113027-00	3/8" x 1 3/8" BHCS w/Pin, SST .....	8
124460-00	3/8" x 3 3/4" BHCS, SST .....	4

## Specifications

**Panels:** Solid color Permalene®, color specified.

**Handrail:** Weldment comprised of formed 1 1/8" O.D. x 11 GA (.120") steel tubing with 203 or 303 stainless steel inserts with 3/8" internal threads. Finish: TenderTuff, color specified.

**Step Sections:** Formed from 12 GA (.105") sheet steel conforming to ASTM A1011. Standing surface is 24 3/8" wide x 14" deep and is perforated with 5/16" diameter holes. Finish: TenderTuff, color specified.

**Spacer Tube:** Made from 6061-T6 aluminum 7/8" O.D. x 1 11/16". Finish: ProShield®, color specified.

**Clamps:** Cast aluminum. Finish: ProShield, color specified.

**Fasteners:** Primary fasteners shall be socketed and pinned tamperproof in design, stainless steel (SST) per ASTM F 879 unless otherwise indicated (see specific product installation/specifications).

**Installation Time:** Approx. 1 1/2 man hours

**Weight:**  
 1-Step - 95 lbs.  
 2-Step - 129 lbs.  
 3-Step - 165 lbs.  
 4-Step - 201 lbs.

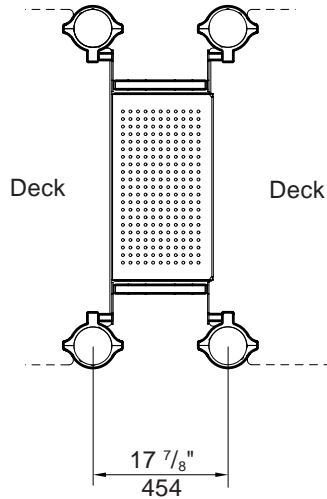
**Fall Height:** Deck Height

## Installation Instructions

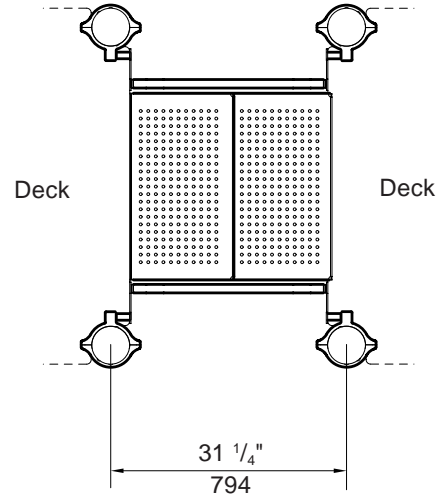
- 1) Attach step section to decks using 3/8" x 1 1/8" BHCS w/pin with 3/8" SAE flat washers and 3/8" standard hex nuts with 3/8" SAE flat washers, as shown. Refer to the Step Section To Deck Attachment Detail.
- 2) Attach upper and lower panels to the face of the deck using 3/8" x 7/8" BHCS w/pin with 3/8" SAE flat washers and 3/8" flange nuts w/pin. Refer to the Panel to Deck Attachment Detail.
- 3) Attach offset hanger clamps to posts at heights shown using 5" half clamps, 3/8" x 1 1/8" BHCS w/pin with 3/8" tee nuts. Refer to the Typical Offset Hanger Clamp Spec Sheet.
- 4) Attach upper and lower panels to offset hanger clamps using 3/8" x 3 1/4" BHCS, spacer tubes and 3/8" flange nuts w/pin. Refer to the Panel To Clamp Attachment Detail.
- 5) Attach handrails to upper and lower panels using 3/8" x 1 3/8" BHCS w/pin and 3/8" SAE flat washers, as shown.
- 6) Install 1/4" x 5/8" drive rivets in all 5" half clamps. Refer to the Typical Offset Hanger Clamp Spec Sheet.
- 7) Install protective surfacing before users are allowed to play on the structure.

**PLAN VIEW/FOOTING LAYOUTS**

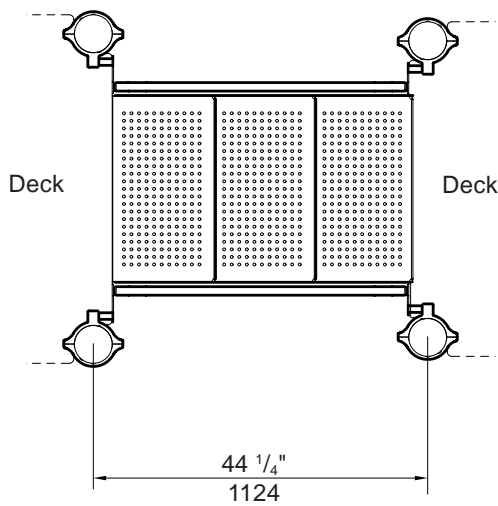
**FOOTINGS/ 1-STEP**



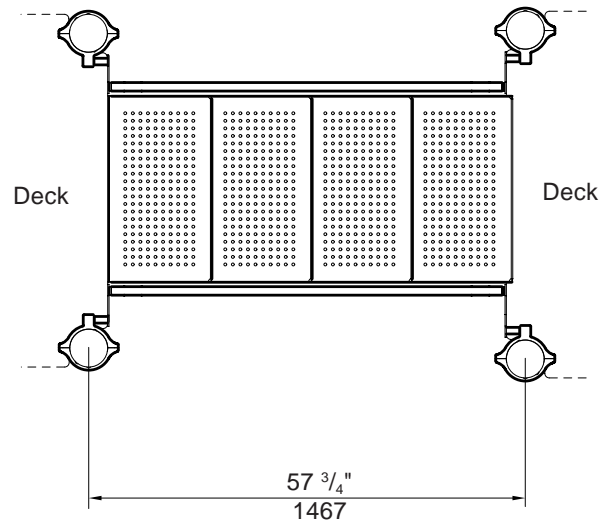
**FOOTINGS/ 2-STEP**



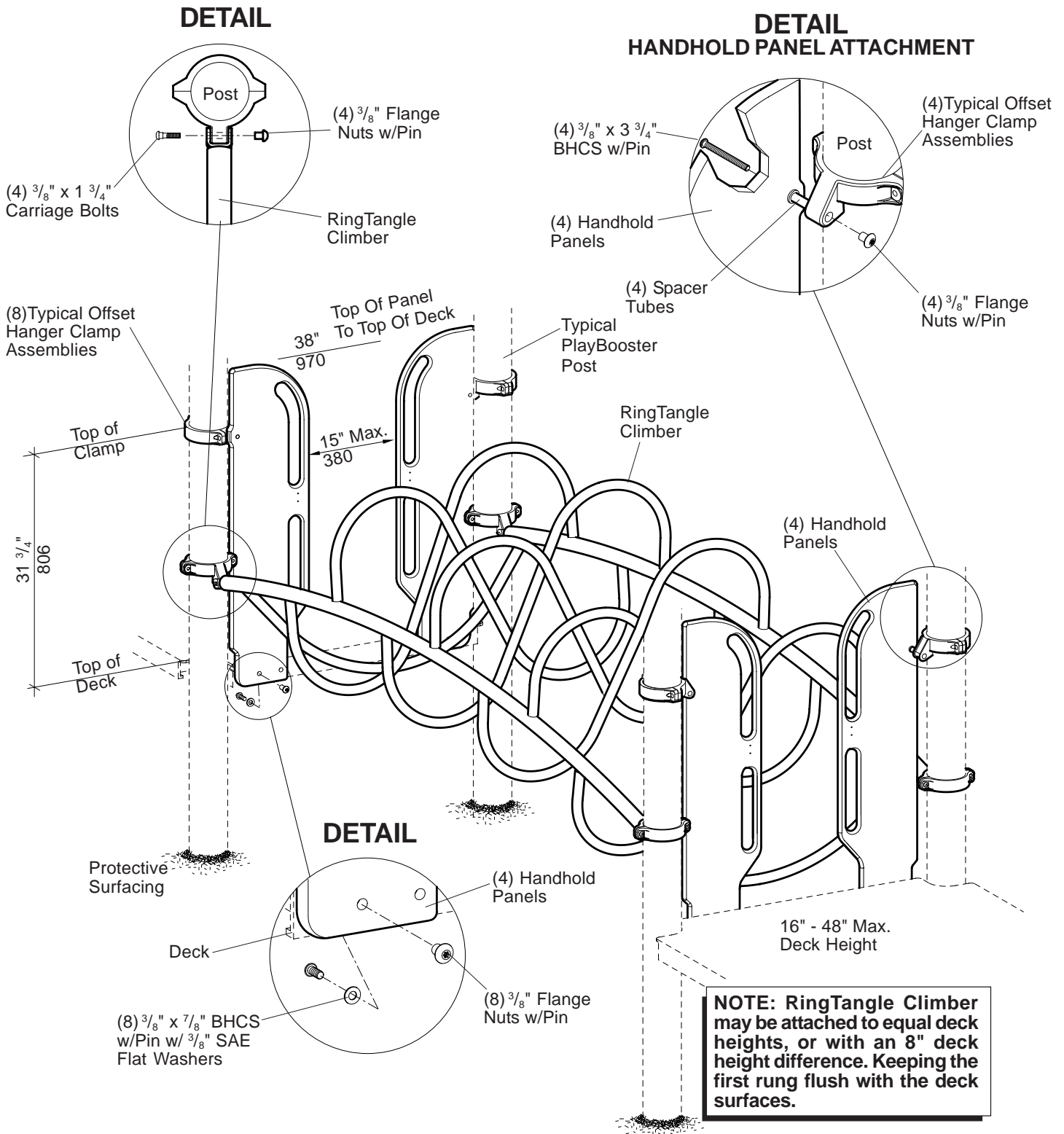
**FOOTINGS/ 3-STEP**



**FOOTINGS/ 4-STEP**







## Parts List

Part #	Description	Qty.
100610-00	1/4" x 5/8" Drive Rivet, AL/SST .....	8
105327-01	5" Half Clamp, Specify Color .....	8
113468-00	7/8" O.D. x 1 11/16" Spacer Tube, AL. ....	4
113729-00	5" Offset Hanger Clamp, Specify Color .....	8
139563-00	Handhold Panel, Specify Color .....	4
163333-00	RingTangle Climber, Specify Color .....	1
<b>164140-00</b>	<b>RingTangle Climber Hardware Package .....</b>	<b>1</b>
100148-00	3/8" x 1 3/4" Carriage Bolt, SST .....	4
100196-00	3/8" x 7/8" BHCS w/Pin, SST .....	8
100198-00	3/8" x 1 1/8" BHCS w/Pin, SST .....	16
100351-00	3/8" Tee Nut, SST .....	16
100353-00	3/8" Flange Nut w/Pin, SST .....	16
100365-00	3/8" SAE Flat Washer, SST .....	8
124460-00	3/8" x 3 3/4" BHCS w/Pin, SST .....	4

## Specifications

### RingTangle

**Climber:** Weldment comprised of 1.900" O.D. RS40 (.120" - .130" wall) galvanized steel tubing, 1.315" O.D. RS20 (.080" - .090" wall) galvanized steel tubing and 3/16" HRPO flat steel. Finish: ProShield®, color specified.

**Handhold Panel:** Solid color Permalene®, color specified.

**Spacer Tube:** Made from 6061-T6 aluminum 7/8" O.D. x 1 11/16". Finish: ProShield, color specified.

**Clamps:** Cast aluminum. Finish: ProShield, color specified.

**Fasteners:** Primary fasteners shall be socketed and pinned tamperproof in design, stainless steel (SST) per ASTM F 879 unless otherwise indicated (see specific product installation/specifications).

**Installation Time:** Approx. 1 1/2 man hours

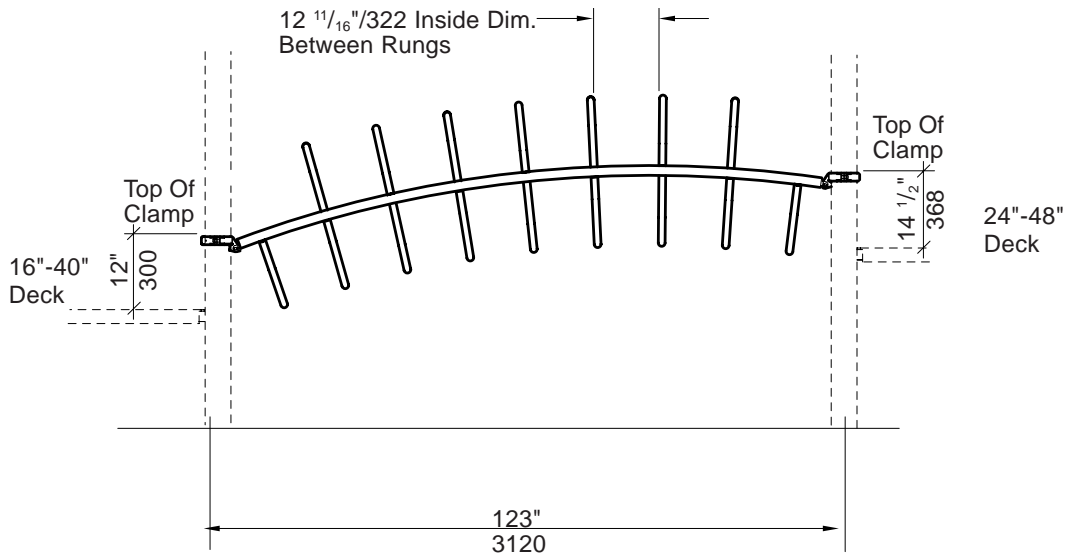
**Weight:** 162 lbs.

**Fall Height:** Deck Height Plus 6" (150 mm)

## Installation Instructions

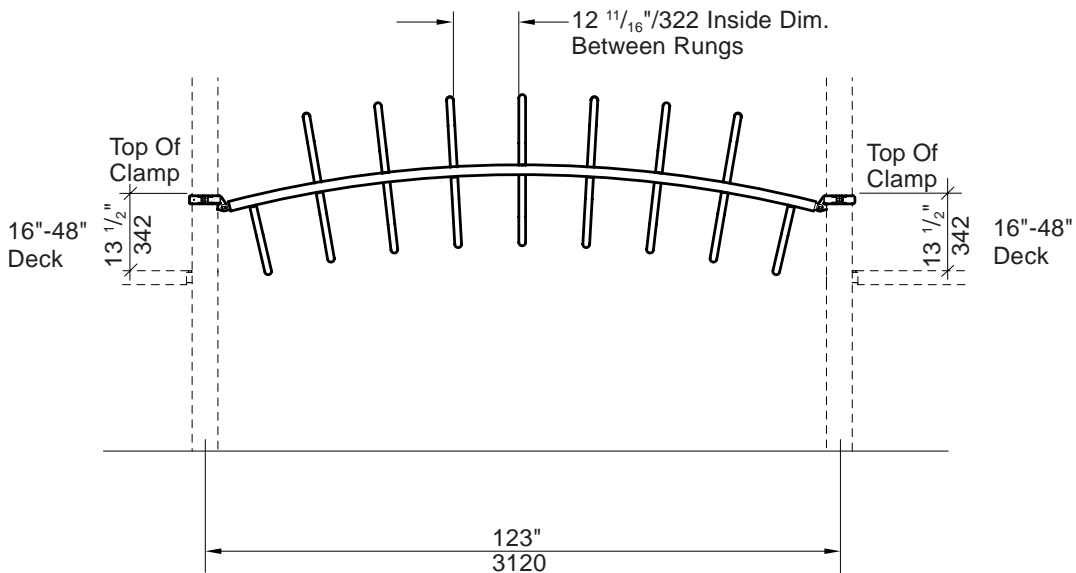
- 1) Attach offset hanger clamps to posts at height shown. Using 5" half clamps and 3/8" x 1 1/8" BHCS w/pin with 3/8" tee nuts. Refer To The Typical Offset Hanger Clamp Spec Sheet.
- 2) Attach handhold panels to the face of the decks using 3/8" x 7/8" BHCS w/pin with 3/8" SAE flat washers and 3/8" flange nuts w/pin.
- 3) Attach handhold panels to offset hanger clamp assemblies using 3/8" x 3 3/4" BHCS w/Pin, spacer tubes and 3/8" flange nuts w/pin. See Handhold Panel Attachment Detail.
- 4) Attach RingTangle Climber to offset hanger clamp assemblies, using 3/8" x 1 3/4" carriage bolts and 3/8" flange nuts w/pin. Refer to Detail. Install 1/4" x 5/8" drive rivets in 5" half clamps. Refer to the Offset Hanger Clamp Spec Sheet.
- 5) Install protective surfacing before users are allowed to play on the structure.

**ELEVATION**  
**(8" DECK HEIGHT DIFFERENCE)**

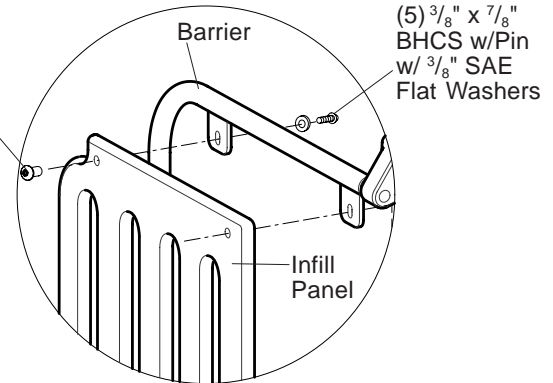


**NOTE: RingTangle Climber may be attached to equal deck heights, or with an 8" deck height difference. Keeping the first rung flush with the deck surfaces.**

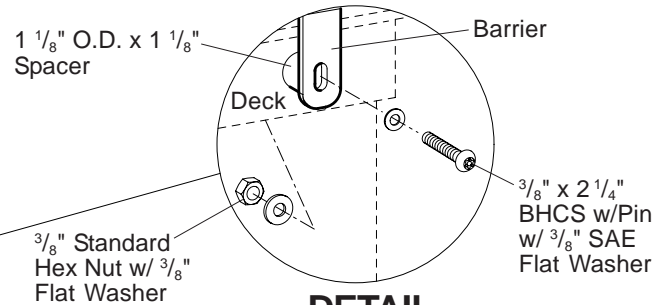
**ELEVATION**  
**(EQUAL DECK HEIGHTS)**



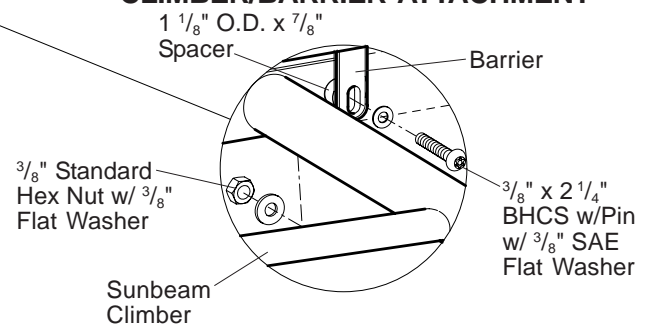
**DETAIL**  
**INFILL PANEL ATTACHMENT**



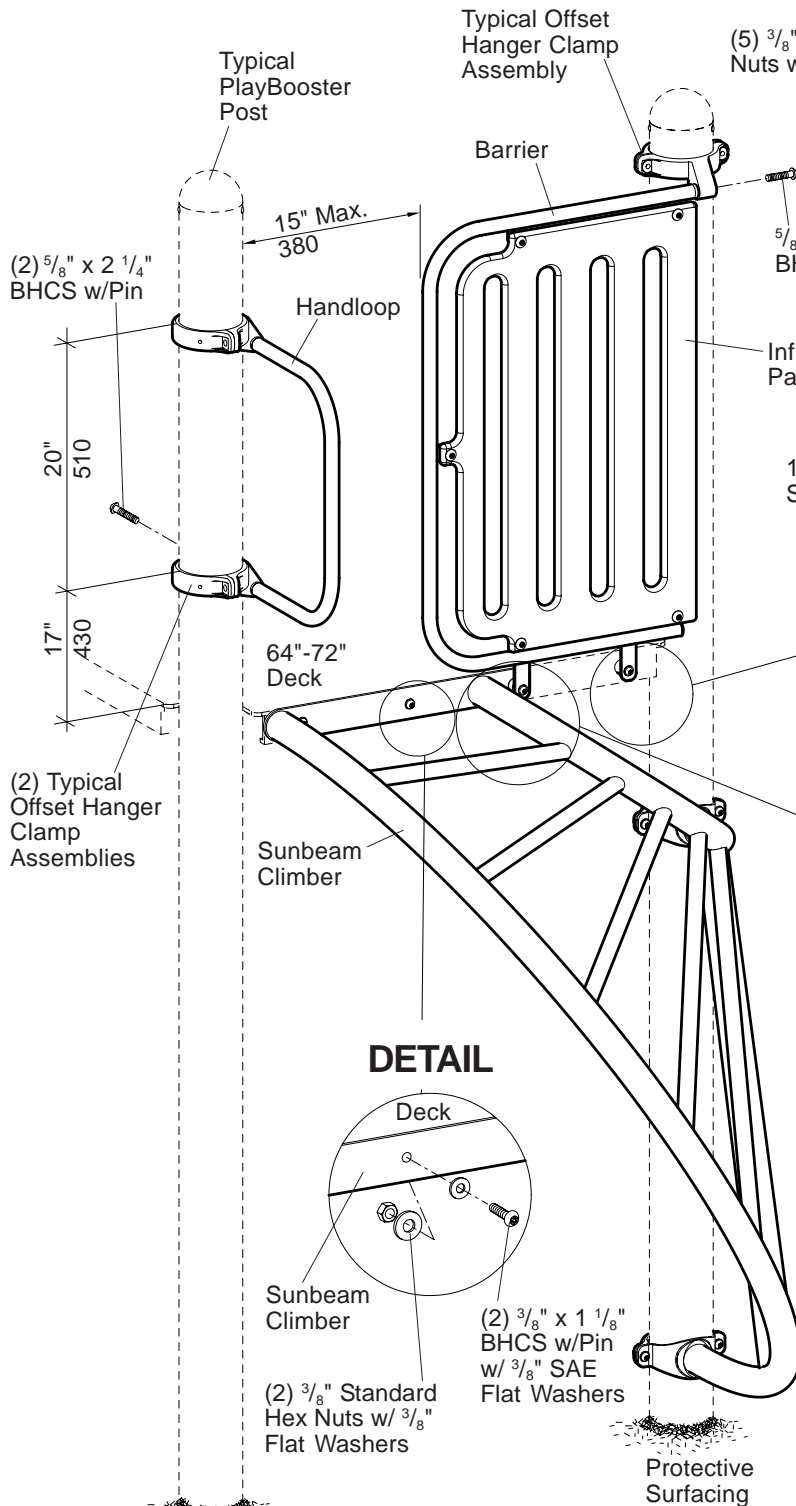
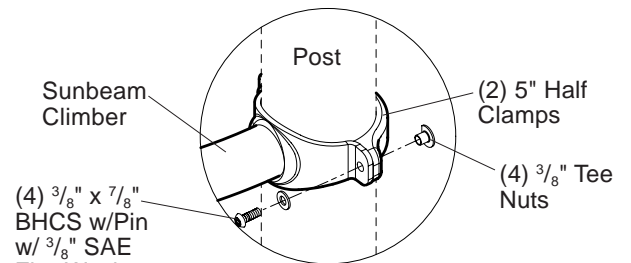
**DETAIL**  
**BARRIER ATTACHMENT**



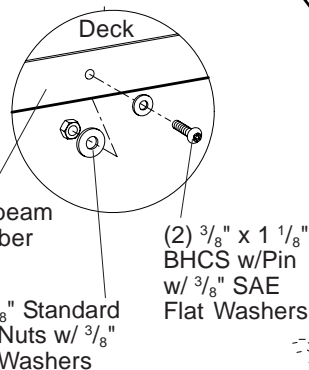
**DETAIL**  
**CLIMBER/BARRIER ATTACHMENT**



**DETAIL**  
**CLIMBER TO POST ATTACHMENT**



**DETAIL**



**PlayBooster® 176079 Sunbeam Climber, 64"-72" Deck**

601 7TH STREET SOUTH, DELANO, MINNESOTA 55328-8605 (763) 972-3391 1-888-LSI-INST (1-888-574-4678) FAX (763) 972-3185



J:\SPECS\176\17608600.P65

# PlayBooster® 176079 Sunbeam Climber, 64"-72" Deck

## Parts List

Part#	Description	Qty.
100610-00	1/4" x 5/8" Drive Rivet, AL/SST .....	5
105327-01	5" Half Clamp, Specify Color .....	5
108542-00	Handloop, Specify Color .....	1
113729-00	5" Offset Hanger Clamp, Specify Color .....	3
151072-00	1 1/8" O.D. x 1 1/8" Spacer, Specify Color .....	1
170930-00	Barrier, Specify Color .....	1
170931-00	Barrier Infill Panel, Specify Color .....	1
176050-00	Sunbeam Climber, Specify Color .....	1
176344-00	1 1/8" O.D. x 7/8" Spacer, Specify Color .....	1
<b>176386-00</b>	<b>Sunbeam Climber Hardware Package .....</b>	<b>1</b>
100196-00	3/8" x 7/8" BHCS w/Pin, SST .....	9
100198-00	3/8" x 1 1/8" BHCS w/Pin, SST .....	8
100199-00	3/8" x 2 1/4" BHCS w/Pin, SST .....	2
100203-00	5/8" x 2 1/4" BHCS w/Pin, SST .....	3
100327-00	3/8" Standard Hex Nut, SST .....	4
100351-00	3/8" Mod T-Nut, SST .....	10
100353-00	3/8" Flange Nut w/Pin, SST .....	5
100362-00	3/8" Flat Washer, SST .....	4
100365-00	3/8" SAE Flat Washer, SST .....	13

## Specifications

**Sunbeam Climber:** Weldment comprised of 1.315" O.D. RS20 (.080"-.090" wall) galvanized steel tube, 2.375" O.D. RS40 (.130"-.140" wall) galvanized steel tube, and 1/4" HRPO steel sheet. Finish: ProShield®, color specified.

**Barrier:** Weldment comprised of 1.125" O.D. 11 Ga. (.120") steel tube per ASTM A513 with 203 or 303 stainless steel threaded insert with 5/8" internal threads and 1/4" tabs. Finish: TenderTuff™, color specified.

**Handloop:** Weldment comprised of 1.125" O.D. 11 GA (.120") steel tubing with 203 or 303 stainless steel inserts, with 5/8" internal threads. Finish: TenderTuff, color specified.

**Infill Panel:** Permalene®, color specified.

**Clamps:** Cast aluminum. Finish: ProShield, color specified.

**Fasteners:** Primary fasteners shall be socketed and pinned tamperproof in design, stainless steel (SST) per ASTM F 879 unless otherwise indicated (see specific product installation/specifications).

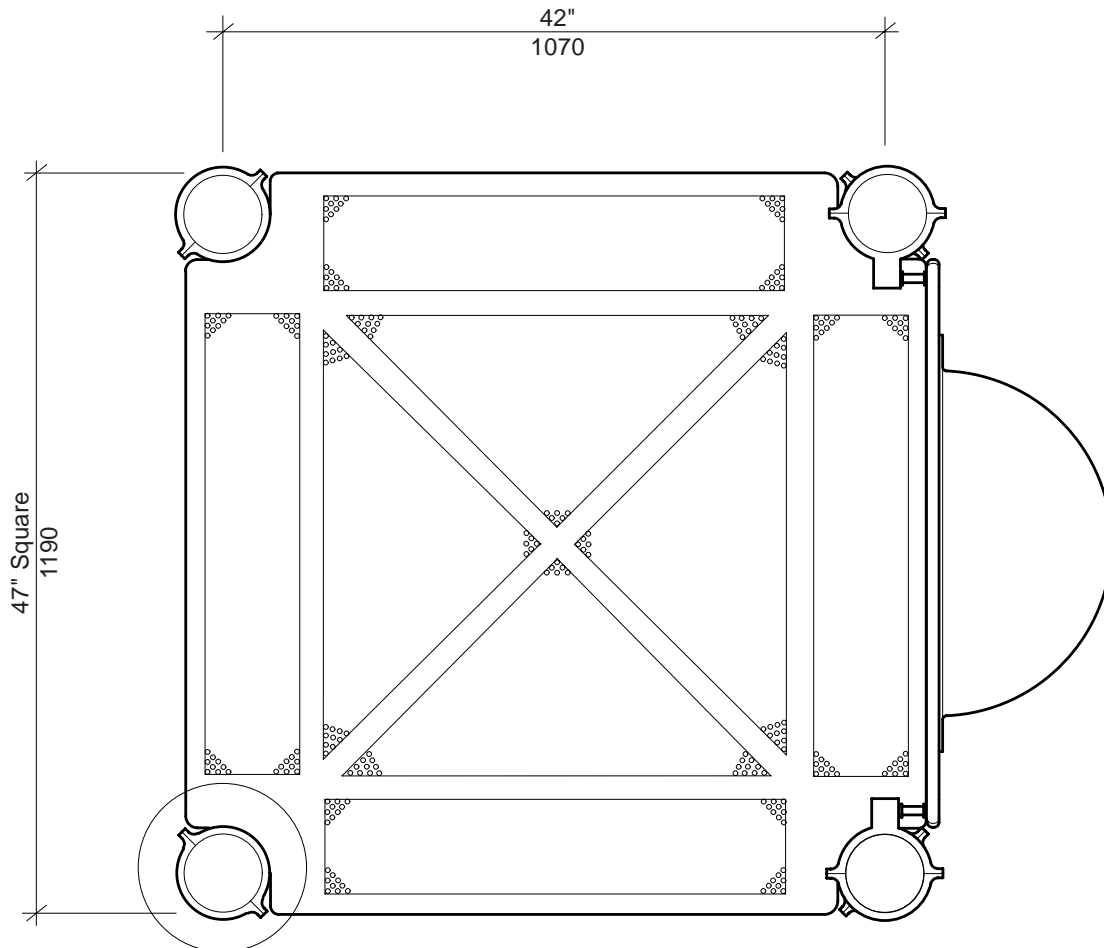
**Installation Time:** Approx. 1 1/4 man hours

**Weight:** 118 lbs.

**Fall Height:** Deck Height

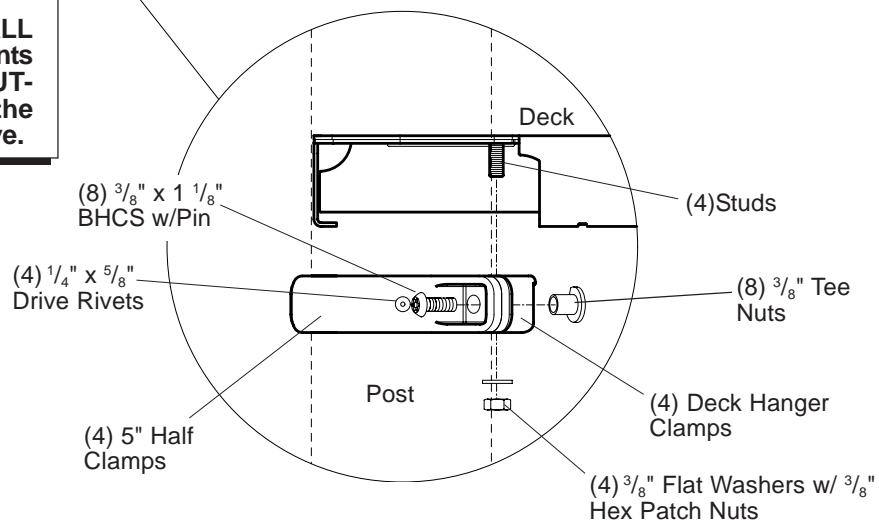
## Installation Instructions

- 1) Attach Sunbeam climber to deck, using 3/8" x 1 1/8" BHCS w/pin with 3/8" SAE flat washers and 3/8" standard hex nuts with 3/8" flat washers. Refer to Detail.
- 2) Attach Sunbeam climber to post, using 5" half clamps, 3/8" x 7/8" BHCS w/pin with 3/8" SAE flat washers and 3/8" tee nuts. Refer to Climber To Post Attachment Detail.
- 3) Place 1 1/8" O.D. x 7/8" spacer between barrier tab and Sunbeam Climber. Attach barrier, 1 1/8" O.D. x 7/8" spacer and Sunbeam Climber to deck, using 3/8" x 2 1/4" BHCS w/pin with 3/8" SAE flat washer and 3/8" standard hex nut with 3/8" flat washer. Refer to the Climber/Barrier Attachment Detail.
- 4) Place 1 1/8" O.D. x 1 1/8" spacer between barrier tab and deck. Attach barrier and 1 1/8" O.D. x 1 1/8" spacer to deck, using 3/8" x 2 1/4" BHCS w/pin with 3/8" SAE flat washer and 3/8" standard hex nut with 3/8" flat washer. Refer to the Barrier Attachment Detail.
- 5) Attach barrier to offset hanger clamp, using 5/8" x 2 1/4" BHCS w/pin.
- 6) Attach infill panel to barrier, using 3/8" x 7/8" BHCS w/pin with 3/8" SAE flat washers and 3/8" flange nuts w/pin. Refer to the Infill Panel Attachment Detail.
- 7) Mark locations for clamps on posts per dimensions on front of sheet. Attach offset hanger clamps to posts, using 5" half clamps, 3/8" x 1 1/8" BHCS w/pin and 3/8" tee nuts. Refer to the Typical Offset Hanger Clamp Assembly Sheet. Attach handloop to offset hanger clamp assemblies, using 5/8" x 2 1/4" BHCS w/pin.
- 8) Install 1/4" x 5/8" drive rivets in all 5" half clamps. Drill through hole in 5" half clamp and into 5" post with a 1/4" or "F" (only) drill bit, insert drive rivet into hole through clamp and into post. Hammer drive rivet pin in until flush with head. Refer to the Typical Offset Hanger Clamp Spec Sheet.
- 9) Install protective surfacing before users are allowed to play on the structure.



**DETAIL  
DECK HANGER CLAMP**

**NOTE:**  
 When using this deck, ALL enclosures and components are mounted on the OUTSIDE of the posts like the bubble panel shown above.





J:\SPECS\145\14582100.P65

# PlayBooster® 111228 Square Deck

## Parts List

Part#	Description	Qty.
145656-00	Tenderdeck, Specify Color .....	1
105327-01	5" Half Clamp, Specify Color .....	4
106022-00	5" Deck Hanger Clamp, Specify Color .....	4
<b>119491-00</b>	<b>Hardware Package .....</b>	<b>1</b>
100198-00	3/8" x 1 1/8" BHCS w/Pin, SST .....	8
100321-00	3/8" Hex Patch Nut, SST .....	4
100351-00	3/8" Tee Nut, SST .....	8
100362-00	3/8" Flat Washer, SST .....	4
100610-00	1/4" x 5/8" Drive Rivet, SST .....	4

## Specifications

**Square Deck:** Flange formed from 12 GA (.105") sheet steel conforming to ASTM A1011. Standing surface is perforated with 5/16" diameter holes. Deck face has (4) slotted holes for face mounting components. The finished size measures 2 5/8" x 47" x 47". Finish: TenderTuff™, color specified.

### Deck Hanger

**Clamp Assembly:** Cast aluminum. Finish: ProShield®, color specified.

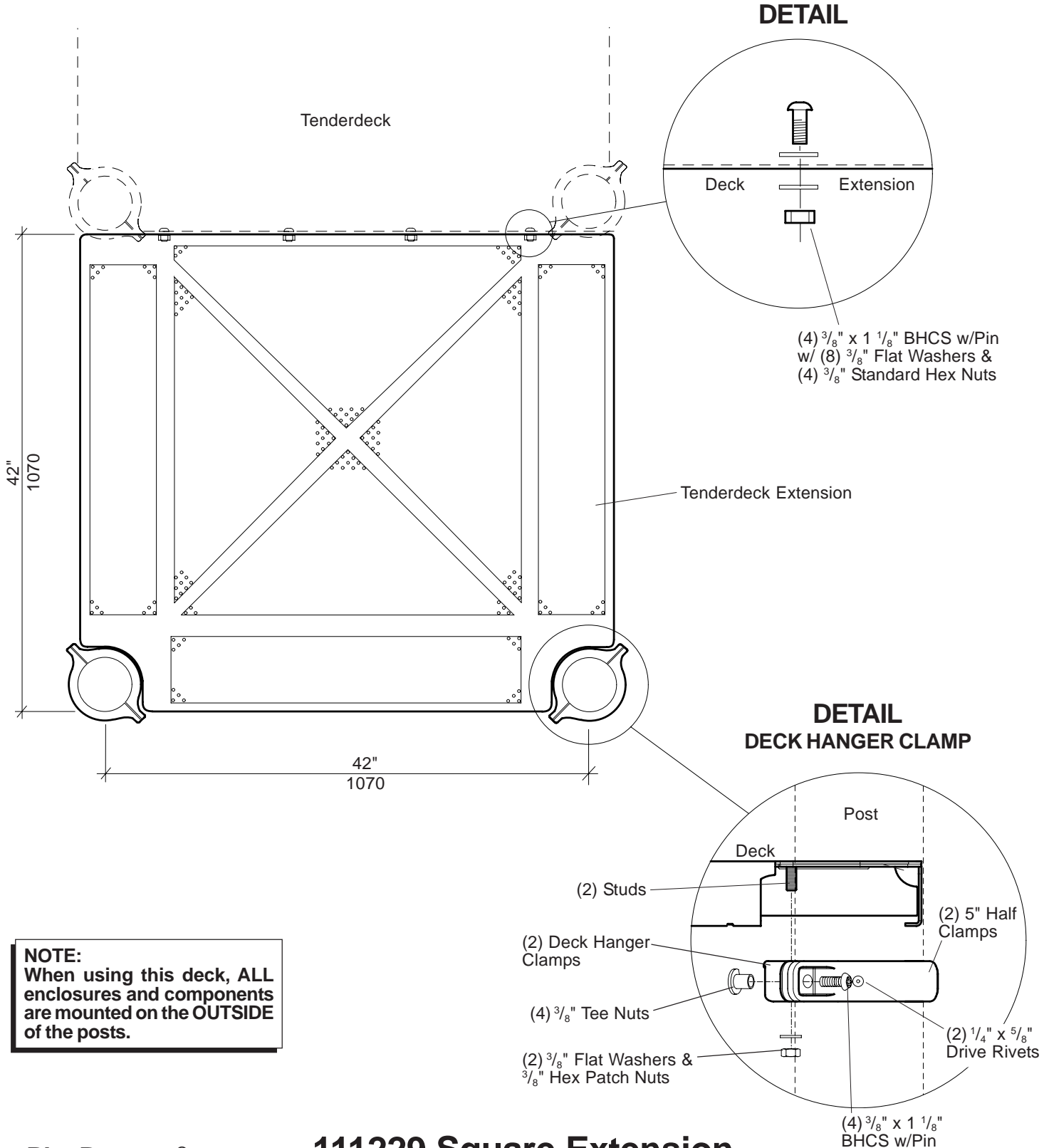
**Fasteners:** Primary fasteners shall be socketed and pinned tamperproof in design, stainless steel (SST) per ASTM F 879 unless otherwise indicated (see specific product installation/specifications).

**Installation Time:** Approx. 1 man hour

**Weight:** 119 lbs.

## Installation Instructions

- 1) Mark posts for the appropriate height of the deck you are installing.
- 2) Fasten hanger clamps to marked position on posts. See Detail on front of sheet.
- 3) Lift deck into position, lining up studs underneath deck with deck hanger clamp as shown. Attach with 3/8" flat washers and 3/8" hex patch nuts.
- 4) Level deck and plumb posts. Install the drive rivets in all 5" half clamps. Refer to the Typical Offset Hanger Clamp Spec Sheet.
- 5) After all enclosures/components are installed, pour concrete footings per the Typical Concrete Footing Detail Sheet.
- 6) Install protective surfacing before users are allowed to play on the structure.



**NOTE:**  
When using this deck, ALL enclosures and components are mounted on the OUTSIDE of the posts.





J:\SPECS\145\14582200.P65

# PlayBooster® 111229 Square Extension

## Parts List

Part#	Description	Qty.
145661-00	Square Deck Extension, Specify Color .....	1
105327-01	5" Half Clamp, Specify Color .....	2
106022-00	5" Deck Hanger Clamp, Specify Color .....	2
<b>106556-00</b>	<b>Hardware Package .....</b>	<b>1</b>
100198-00	3/8" x 1 1/8" BHCS w/Pin, SST .....	8
100327-00	3/8" Standard Hex Nut, SST .....	4
100351-00	3/8" Tee Nut, SST .....	4
100362-00	3/8" Flat Washer, SST .....	10
100610-00	1/4" x 5/8" Drive Rivet, AL/SST .....	2
100321-00	3/8" Hex Patch Nut, SST .....	2

## Specifications

### Square Deck

**Extension:** Flange formed from 12 GA (.105") sheet steel conforming to ASTM A1011. Standing surface is perforated with 5/16" diameter holes. Deck face has (4) slotted holes for face mounting components. The finished size measures 2 5/8" x 42" x 47". Finish: TenderTuff™, color specified.

### Deck Hanger

**Clamp Assembly:** Cast aluminum. Finish: ProShield®, color specified.

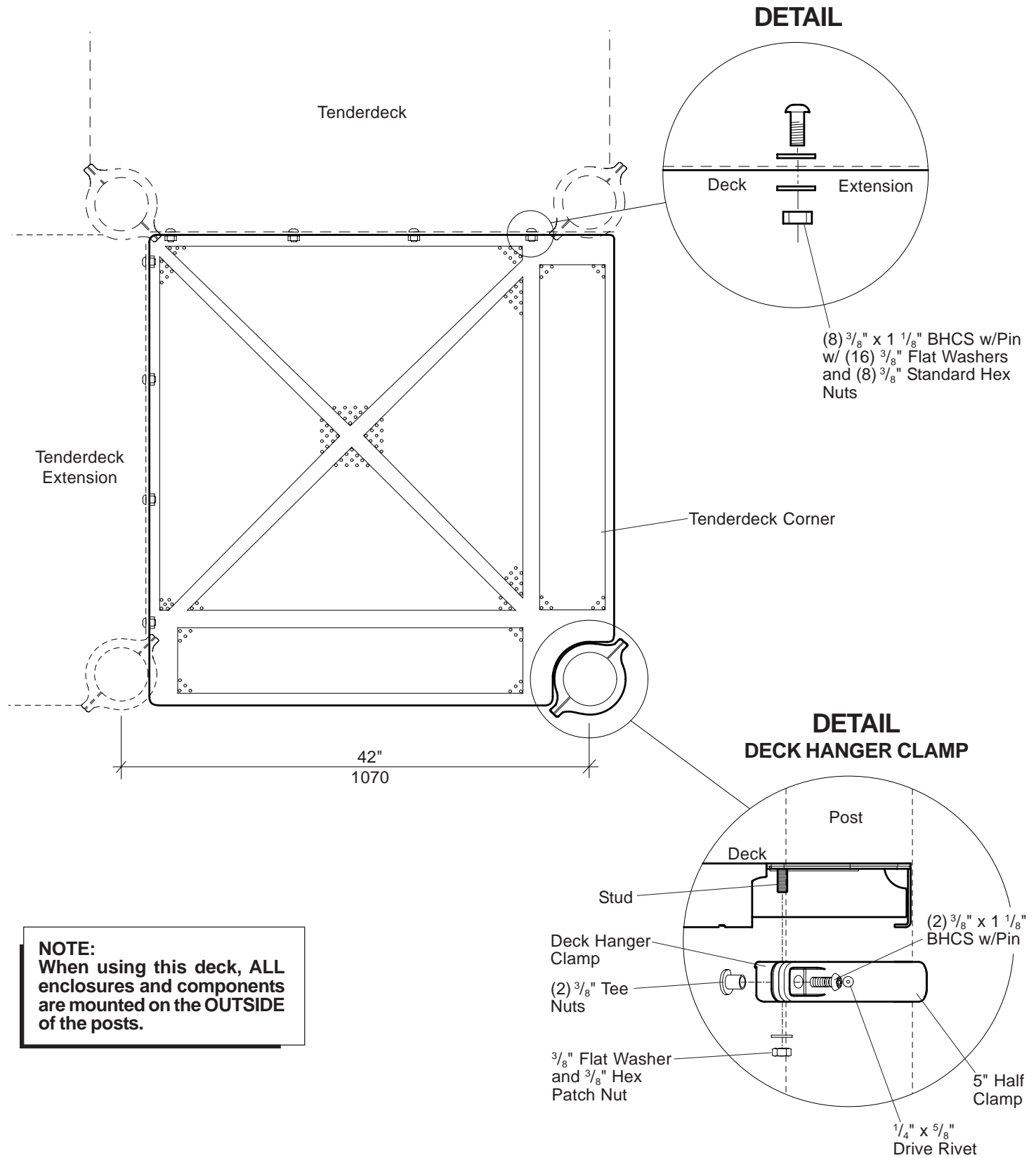
**Fasteners:** Primary fasteners shall be socketed and pinned tamperproof in design, stainless steel (SST) per ASTM F 879 unless otherwise indicated (see specific product installation/specifications).

**Installation Time:** Approx. 1 man hour

**Weight:** 106 lbs.

## Installation Instructions

- 1) Mark posts for the appropriate height of the deck you are installing.
- 2) Fasten hanger clamps to marked position on posts. See Detail on front of sheet.
- 3) Lift deck into position, lining up studs underneath deck with deck hanger clamp as shown. Attach with 3/8" flat washers and 3/8" hex patch nuts.
- 4) Attach extension to tenderdeck using 3/8" x 1 1/8" BHCS w/pin with 3/8" flat washers and 3/8" standard hex nuts.
- 5) Level deck and plumb posts. Install the 1/4" x 5/8" drive rivets in all 5" half clamps. Refer to the Typical Offset Hanger Clamp Spec Sheet.
- 6) After all enclosures/components are installed, pour concrete footings per the Typical Concrete Footing Spec Sheet.
- 7) Install protective surfacing before users are allowed to play on the structure.



**NOTE:**  
When using this deck, ALL enclosures and components are mounted on the OUTSIDE of the posts.



J:\SPECS\145\14582300.P65

# PlayBooster® 111230 Square Corner

## Parts List

Part#	Description	Qty.
145662-00	Corner Deck, Specify Color .....	1
105327-01	5" Half Clamp, Specify Color .....	1
106022-00	5" Deck Hanger Clamp, Specify Color .....	1
<b>106643-00</b>	<b>Hardware Package</b> .....	1
100198-00	3/8" x 1 1/8" BHCS w/Pin, SST .....	10
100327-00	3/8" Standard Hex Nut, SST .....	8
100351-00	3/8" Tee Nut, SST .....	2
100362-00	3/8" Flat Washer, SST .....	17
100610-00	1/4" x 5/8" Drive Rivet, AL/SST .....	1
100321-00	3/8" Hex Patch Nut, SST .....	1

## Specifications

### Square Deck

**Corner:** Flange formed from 12 GA (.105") sheet steel conforming to ASTM A1011. Standing surface is perforated with 5/16" diameter holes. Deck face has (4) slotted holes for face mounting components. The finished size measures 2 5/8" x 42" x 42". Finish: TenderTuff™, color specified.

### Deck Hanger

**Clamp Assembly:** Cast aluminum. Finish: ProShield®, color specified.

**Fasteners:** Primary fasteners shall be socketed and pinned tamperproof in design, stainless steel (SST) per ASTM F 879 unless otherwise indicated (see specific product installation/specifications).

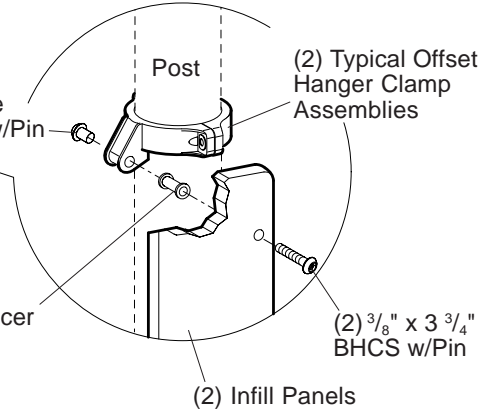
**Installation Time:** Approx. 1 man hour

**Weight:** 103 lbs.

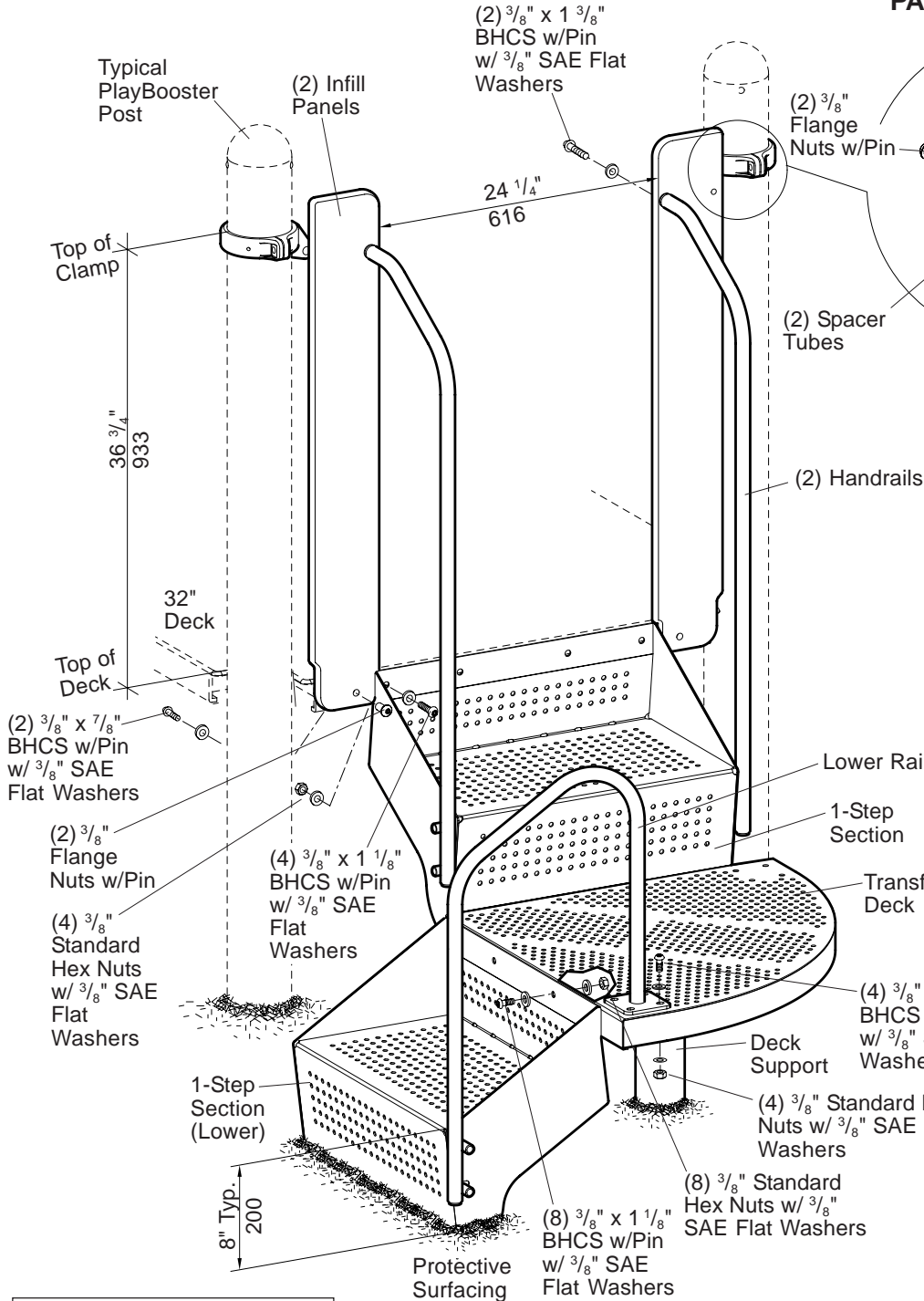
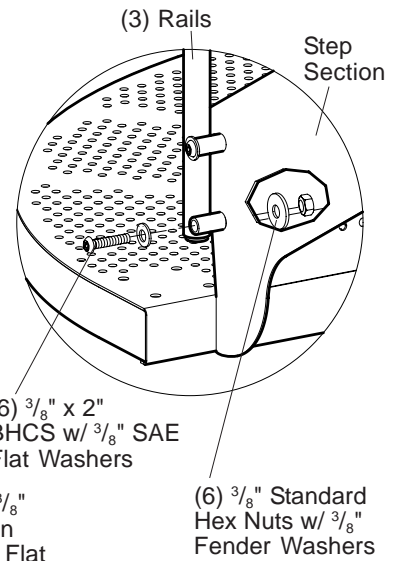
## Installation Instructions

- 1) Mark posts for the appropriate height of the deck you are installing.
- 2) Fasten hanger clamp to marked position on post. See Detail on front of sheet.
- 3) Lift deck into position, lining up studs underneath deck with deck hanger clamp as shown. Attach with 3/8" flat washers and 3/8" hex patch nuts.
- 4) Attach corner to other tenderdecks using 3/8" x 1 1/8" BHCS w/pin with 3/8" flat washers and 3/8" standard hex nuts. See Detail.
- 5) Level deck and plumb posts. Install the 1/4" x 5/8" drive rivet in the 5" half clamp. Refer to the Typical Offset Hanger Clamp Spec Sheet.
- 6) After all enclosures/ components are installed, pour concrete footings per the Typical Concrete Footing Spec Sheet.
- 7) Install protective surfacing before users are allowed to play on the structure.

**DETAIL  
PANEL ATTACHMENT**



**DETAIL  
HANDRAIL ATTACHMENT**



**NOTE: Protective surfacing adjacent to the transfer deck must be accessible.**



J:\SPECS\181\18137700.P65

# PlayBooster® 152911 Transfer Module, 32", w/Handrails

## Parts List

Part#	Description	Qty.
100610-00	1/4" x 5/8" Drive Rivet, AL/SST	2
105327-01	5" Half Clamp, Specify Color	2
113468-00	7/8" O.D. x 1 11/16" Spacer Tube, Specify Color	2
113729-00	Offset Hanger Clamp, Specify Color	2
181371-00	Deck Support (DB), Specify Color	1
181373-00	Deck Support (SM), Specify Color	1
181374-00	Step Support (DB), Specify Color	1
181376-00	Step Support (SM), Specify Color	1
144696-00	1-Step Section, Specify Color	2
152638-00	1-Step Handrail, Specify Color	2
152641-00	Lower Rail, Specify Color	1
153398-00	Transfer Deck, Specify Color	1
153885-00	Infill Panel, Specify Color	2
<b>166377-00</b>	<b>Transfer Module Hardware Package</b>	1
100173-00	3/8" x 2" BHCS, SST	6
100196-00	3/8" x 7/8" BHCS w/Pin, SST	4
100198-00	3/8" x 1 1/8" BHCS w/Pin, SST	20
100327-00	3/8" Standard Hex Nut, SST	28
100351-00	3/8" Tee Nut, SST	4
100353-00	3/8" Flange Nut w/Pin, SST	4
100365-00	3/8" SAE Flat Washer, SST	54
113027-00	3/8" x 1 3/8" BHCS w/Pin, SST	8
124460-00	3/8" x 3 3/4" BHCS w/Pin, SST	2
100378-00	3/8" Fender Washer, SST	6
<b>111393-00</b>	<b>4-Hole (SM) Hardware Package</b>	1
100263-00	3/8" x 2 3/4" Expansion Anchors	4
100327-00	3/8" Standard Hex Nut, SST	4
100365-00	3/8" SAE Flat Washers, SST	4
<b>121256-00</b>	<b>2-Hole (SM) Hardware Package</b>	1
100263-00	3/8" x 2 3/4" Expansion Anchors	2
100327-00	3/8" Standard Hex Nut, SST	2
100365-00	3/8" SAE Flat Washers, SST	2

DB=Direct Bury  
SM=Surface Mount

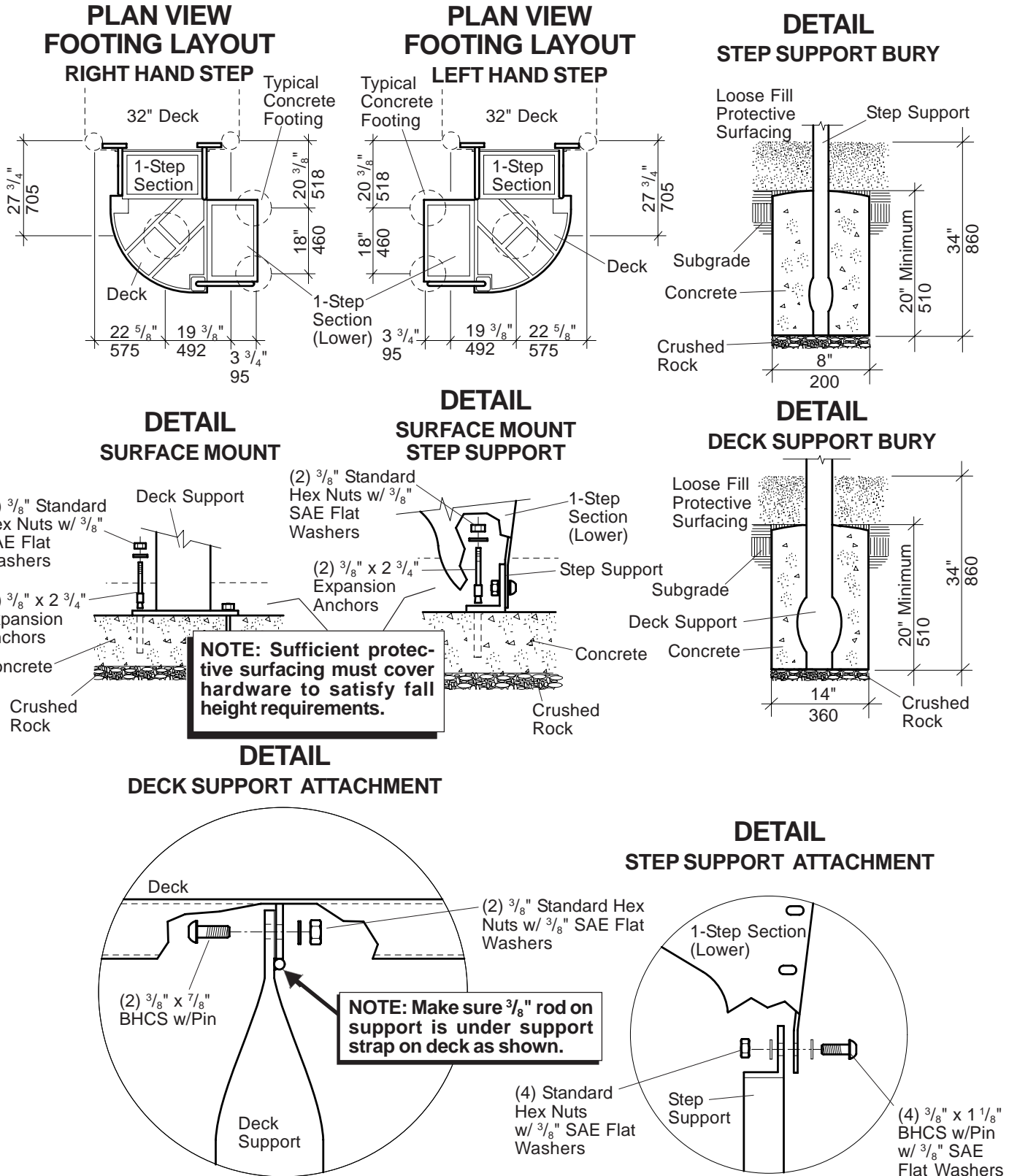
## Specifications

- Deck:** Flange formed from 12 GA (.105") sheet steel conforming to ASTM A1011. Standing surface is perforated with 5/16" diameter holes and measure 29" per (2) sides. Finish: TenderTuff™, color specified.
- Railings:** Weldment comprised of formed 1 1/8" O.D. x 11 GA (.120") steel tubing with 203 or 303 stainless steel inserts with 3/8" internal threads. Finish: TenderTuff, color specified.
- Step Sections:** Formed from 12 GA (.105") sheet steel conforming to ASTM A1011. Standing surface is 24 3/8" wide x 14" deep and is perforated with 5/16" diameter holes. Finish: TenderTuff, color specified.
- Panel:** Solid color Permalene® panel, color specified.
- Deck Support:** Weldment comprised of 3 1/2" O.D. RS-20 (.125") galvanized steel tubing and 3/8" O.D. x 5" long rod. Finish: ProShield®, color specified.
- Step Support:** Weldment comprised of 1.660 O.D. RS20 (.080"-.095) and 1 3/4" x 1 3/4" x 1/8" HR angle. Finish: ProShield, color specified.
- Spacer Tube:** Made from 6061-T6 aluminum 7/8" O.D. x 1 11/16". Finish: ProShield, color specified.
- Clamps:** Cast aluminum. Finish: ProShield, color specified.
- Fasteners:** Primary fasteners shall be socketed and pinned tamperproof in design, stainless steel (SST) per ASTM F 879 unless otherwise indicated (see specific product installation/specifications).

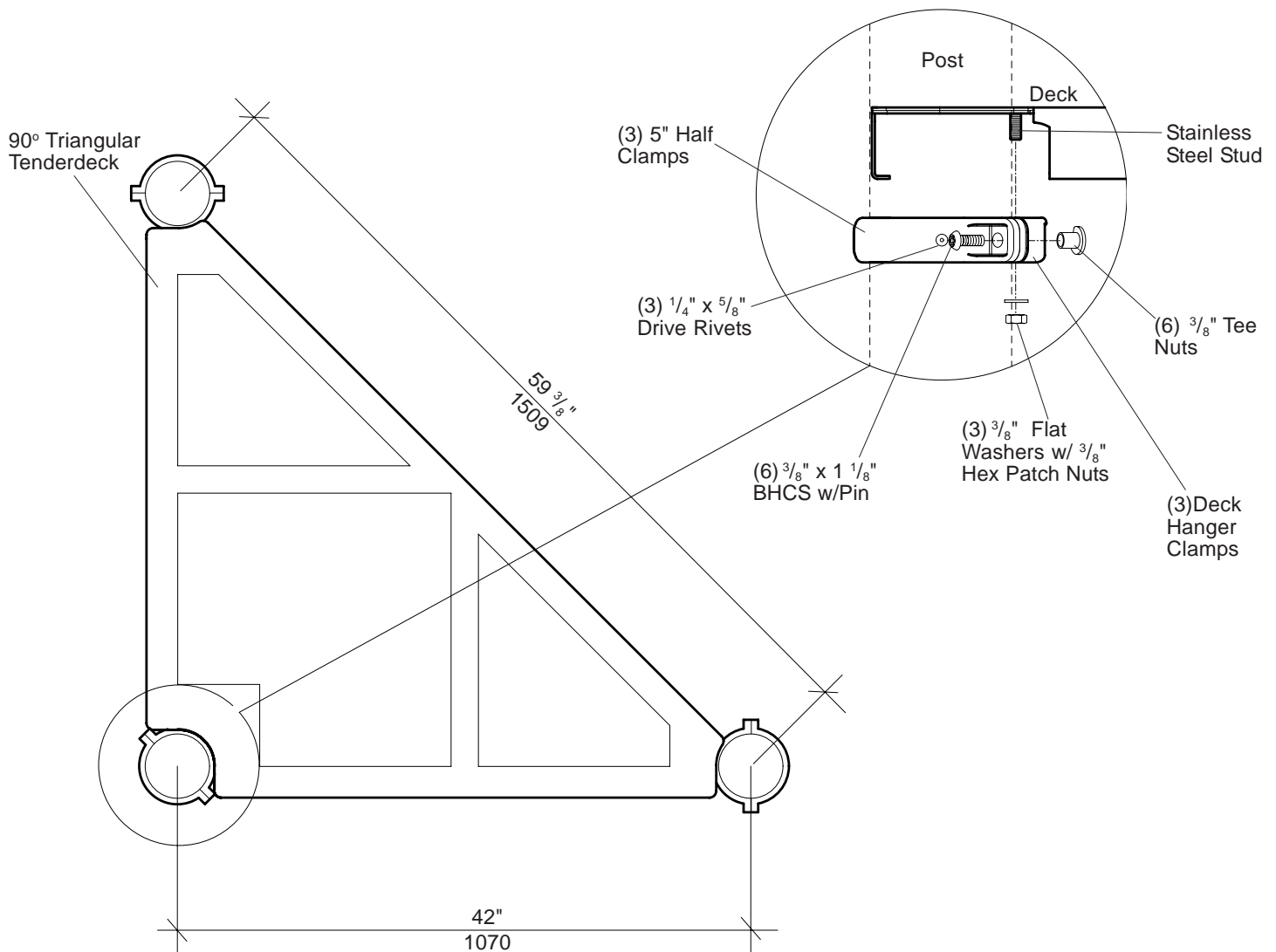
- Installation Time:** SM - Approx. 3 man hours  
DB - Approx. 4 man hours
- Concrete Req.:** Approx. 3.4 cu. ft.
- Weight:** SM - 180 lbs.  
DB - 195 lbs.
- Fall Height:** Deck Height

## Installation Instructions

- 1) **(Direct Bury)** Dig footings as shown. Refer to your Plan View/Footing Layout.
- 2) Attach the deck support to the transfer deck using 3/8" x 7/8" BHCS w/pin and 3/8" standard hex nuts with 3/8" SAE flat washers. **NOTE: Make sure 3/8" rod on support is under support strap on deck as shown.** Refer to the Deck Support Attachment Detail.
- 3) Attach the 1-step section to the transfer deck using 3/8" x 1 1/8" BHCS w/pin with 3/8" SAE flat washers and 3/8" standard hex nuts with 3/8" SAE flat washers.
- 4) Attach the 1-step section to the face of the mainstructure deck using 3/8" x 1 1/8" BHCS w/pin with 3/8" SAE flat washers and 3/8" standard hex nuts with 3/8" SAE flat washers.
- 5) Attach the step support to the 1-step section (lower) using 3/8" x 1 1/8" BHCS w/pin with 3/8" SAE flat washers and 3/8" standard hex nuts with 3/8" SAE flat washers. Refer to the Step Support Attachment Detail.
- 6) Attach the 1-step section (lower) to the transfer deck using 3/8" x 1 1/8" BHCS w/pin with 3/8" SAE flat washers and 3/8" standard hex nuts with 3/8" SAE flat washers.
- 7) Attach offset hanger clamps to posts at heights shown using 5" half clamps, 3/8" x 1 1/8" BHCS w/pin and 3/8" tee nuts. Refer to the Typical Offset Hanger Clamp Spec Sheet.
- 8) Attach infill panels to the face of the mainstructure deck using 3/8" x 7/8" BHCS w/pin with 3/8" SAE flat washers and 3/8" flange nuts w/pin.
- 9) Attach infill panels to offset hanger clamp assemblies using 3/8" x 3 3/4" BHCS, spacer tubes and 3/8" flange nuts w/pin. See Panel Attachment Detail.
- 10) Attach the handrails to the steps using 3/8" x 2" BHCS with 3/8" SAE flat washers and 3/8" standard hex nuts with 3/8" fender washers. Refer to the Handrail Attachment Detail.
- 11) Attach the handrails to the infill panels using 3/8" x 1 3/8" BHCS w/pin and 3/8" SAE flat washers.
- 12) Attach the lower rail to the transfer deck using 3/8" x 1 3/8" BHCS w/pin with 3/8" SAE flat washers and 3/8" standard hex nuts with 3/8" SAE flat washers.
- 13) Attach the lower rail to the 1-step section (lower) using 3/8" x 2" BHCS with 3/8" SAE flat washers and 3/8" standard hex nuts with 3/8" fender washers. Refer to the Handrail Attachment Detail.
- 14) **(Direct Bury)** With transfer deck and steps level and supports plumb, pour concrete footings. Allow concrete footings to cure a minimum of 72 hours before users are allowed to play on the structure.  
**(Surface Mount)** Mark holes for expansion anchors on concrete slab through support plates. Detach the module from the mainstructure and slide module aside, drill 3/8" x 3" deep holes on marks using hammer drill and 3/8" masonry bit. Reposition module over drilled holes and tap expansion anchors into drilled holes. Fasten support plates to expansion anchors using 3/8" standard hex nuts with 3/8" SAE flat washers. Reattach module to structure.
- 15) Install 1/4" x 5/8" drive rivets in all 5" half clamps. Refer to the Typical Offset Hanger Clamp Spec Sheet.
- 16) Install protective surfacing before users are allowed to play on the structure.



**DETAIL  
DECK HANGER CLAMP**



**PlayBooster® 122197 90° Triangular Tenderdeck**

601 7TH STREET SOUTH, DELANO, MINNESOTA 55328-8605 (763) 972-3391 1-888-LSI-INST (1-888-574-4678) FAX (763) 972-3185



# PlayBooster® 122197 90° Triangular Tenderdeck

J:\SPECS\145\14582500.P65

## Parts List

Part#	Description	Qty.
145658-00	90° Tri-Deck, Specify Color .....	1
105327-01	5" Half Clamp, Specify Color .....	3
106022-00	Deck Hanger Clamp, Specify Color .....	3
<b>120203-00</b>	<b>Triangular Deck Hardware Package .....</b>	<b>1</b>
100198-00	3/8" x 1 1/8" BHCS w/Pin, SST .....	6
100321-00	3/8" Hex Patch Nut, SST .....	3
100351-00	3/8" Tee Nut, SST .....	6
100362-00	3/8" Flat Washer, SST .....	3
100610-00	1/4" x 5/8" Drive Rivet, AL/SST .....	3

## Specifications

**Triangular Deck:** Flange formed from 12 GA (.105") sheet steel conforming to ASTM A1011. Standing surface is perforated with 5/16" diameter holes. Deck face has (4) slotted holes for face mounting components. The finished size measures 2 5/8" x 37 3/4". Finish: TenderTuff™, color specified.

**Deck Hanger Clamp Assembly:** Cast aluminum. Finish: ProShield®, color specified.

**Fasteners:** Primary fasteners shall be socketed and pinned tamperproof in design, stainless steel (SST) per ASTM F 879 unless otherwise indicated (see specific product installation/specifications).

**Installation Time:** Approx. 1/2 man hour

**Weight:** 67 lbs.

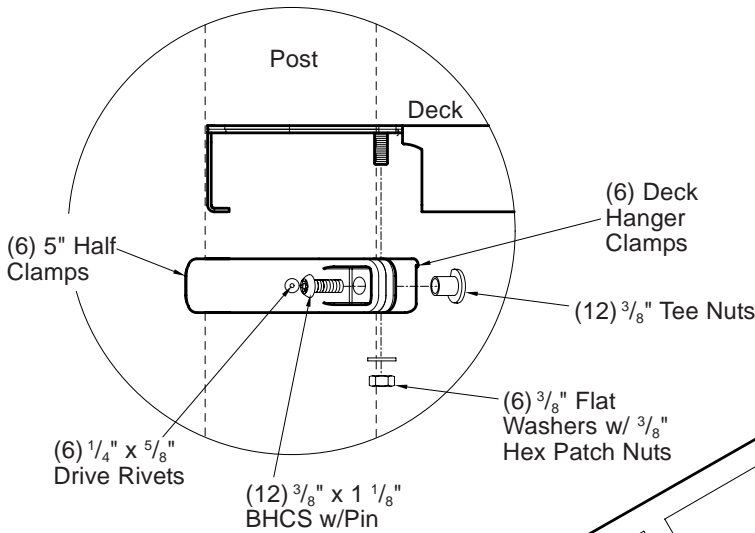
## Installation Instructions

- 1) Mark posts for the appropriate height of the deck you are installing.
- 2) Fasten deck hanger clamps to marked position on posts. See Detail on front of sheet.
- 3) Lift deck assembly into position, lining up stud underneath deck with deck hanger clamp as shown. Attach using 3/8" hex patch nuts with 3/8" flat washers. With deck level and posts plumb, final tighten all hardware.
- 4) Install 1/4" x 5/8" drive rivets in all 5" half clamps. Refer to the Typical Offset Hanger Clamp Spec Sheet.
- 5) After attachment of enclosures and components is complete, pour concrete footings. Allow concrete footings to cure a minimum of 72 hours before users are allowed to play on the structure.
- 6) Install protective surfacing before users are allowed to play on the structure.

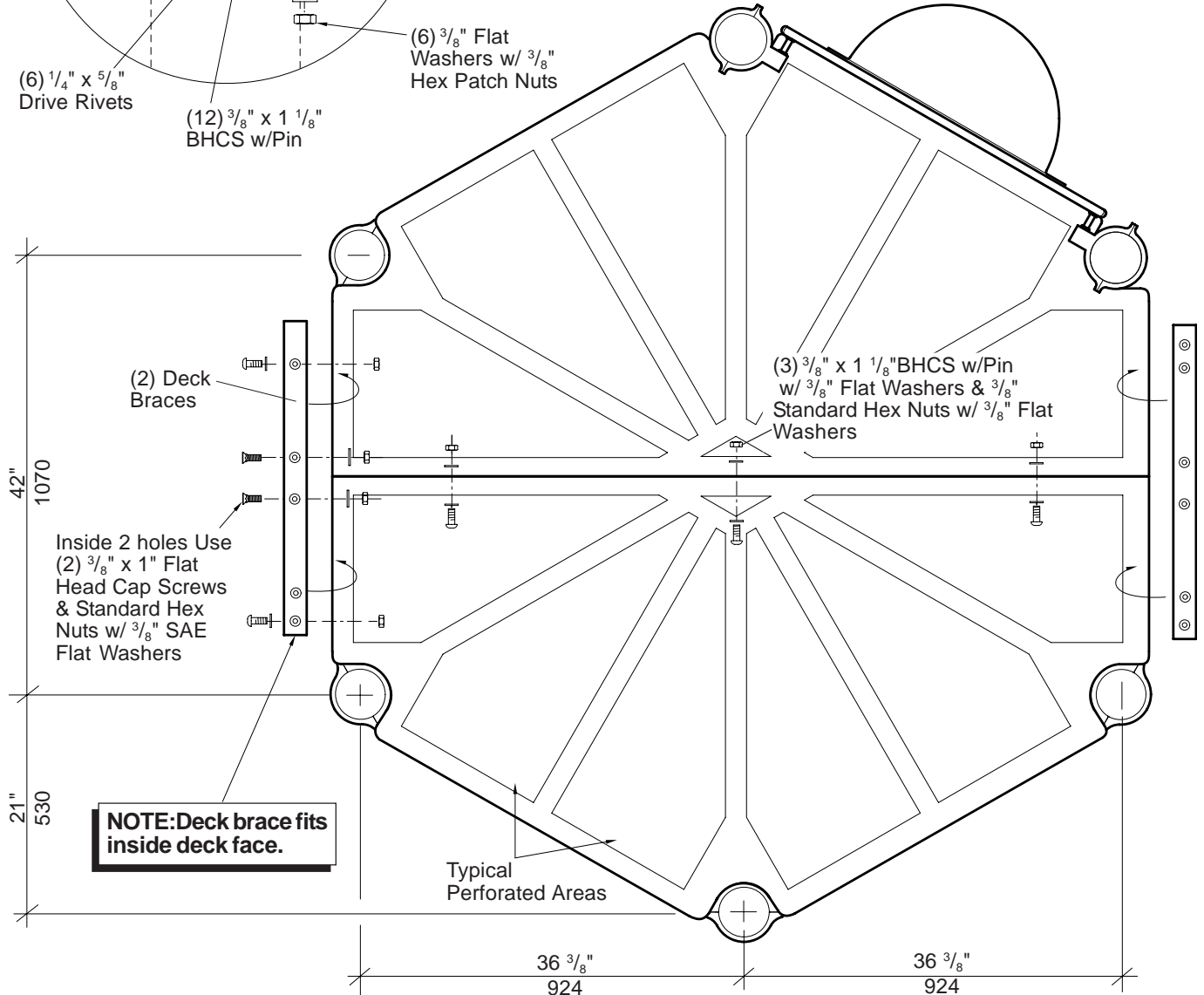
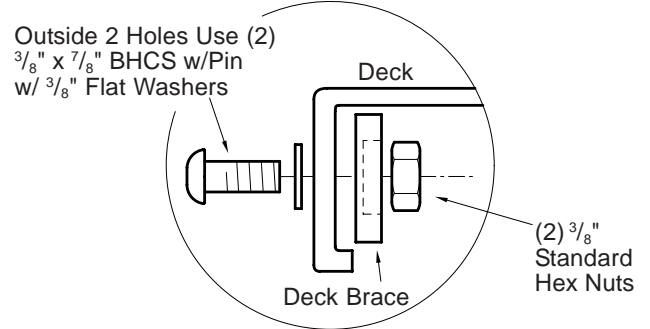


**NOTE:** When using this deck, ALL enclosures and components are mounted on the OUTSIDE of the posts like the bubble panel shown below.

**DETAIL  
DECK HANGER CLAMP**



**DETAIL  
DECK BRACE**



## Parts List

Part#	Description	Qty.
139630-00	Deck Brace .....	2
105327-01	5" Half Clamp, Specify Color .....	6
106022-00	Deck Hanger Clamp, Specify Color .....	6
145659-00	Hex Deck, Specify Color .....	2
<b>137121-00</b>	<b>Hex Deck Hardware Package .....</b>	<b>1</b>
100196-00	3/8" x 7/8" BHCS w/Pin, SST .....	4
100198-00	3/8" x 1 1/8" BHCS w/Pin, SST .....	15
100327-00	3/8" Standard Hex Nut, SST .....	11
100351-00	3/8" Tee Nut, SST .....	12
100362-00	3/8" Flat Washer, SST .....	16
100365-00	3/8" SAE Flat Washer, SST .....	4
100610-00	1/4" x 5/8" Drive Rivet, AL/SST .....	6
100321-00	3/8" Hex Patch Nut, SST .....	6
137091-00	3/8" x 1" Flat Head Cap Screw, SST .....	4

## Specifications

**Hex Deck:** Flange formed from 12 GA (.105") (2,67 mm) sheet steel conforming to ASTM A1011. Standing surface is perforated with 5/16" (7,94 mm) diameter holes. Deck face has (4) slotted holes for face mounting components. The finished size measures 2 5/8" x 36" (66,68 mm x 914 mm) per each of the six sides for an overall dimension of 78" (1981 mm) face to face or 87" (2210 mm) point to point. Finish: TenderTuff™, color specified.

**Deck Brace:** Fabricated from 3/8" x 1 3/4" x 28 1/2" (9,53 mm x 44,45 mm x 723,9 mm) long zinc plated steel strap.

**Deck Hanger Clamp Assembly:** Cast aluminum. Finish: ProShield®, color specified.

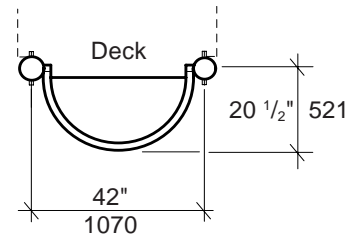
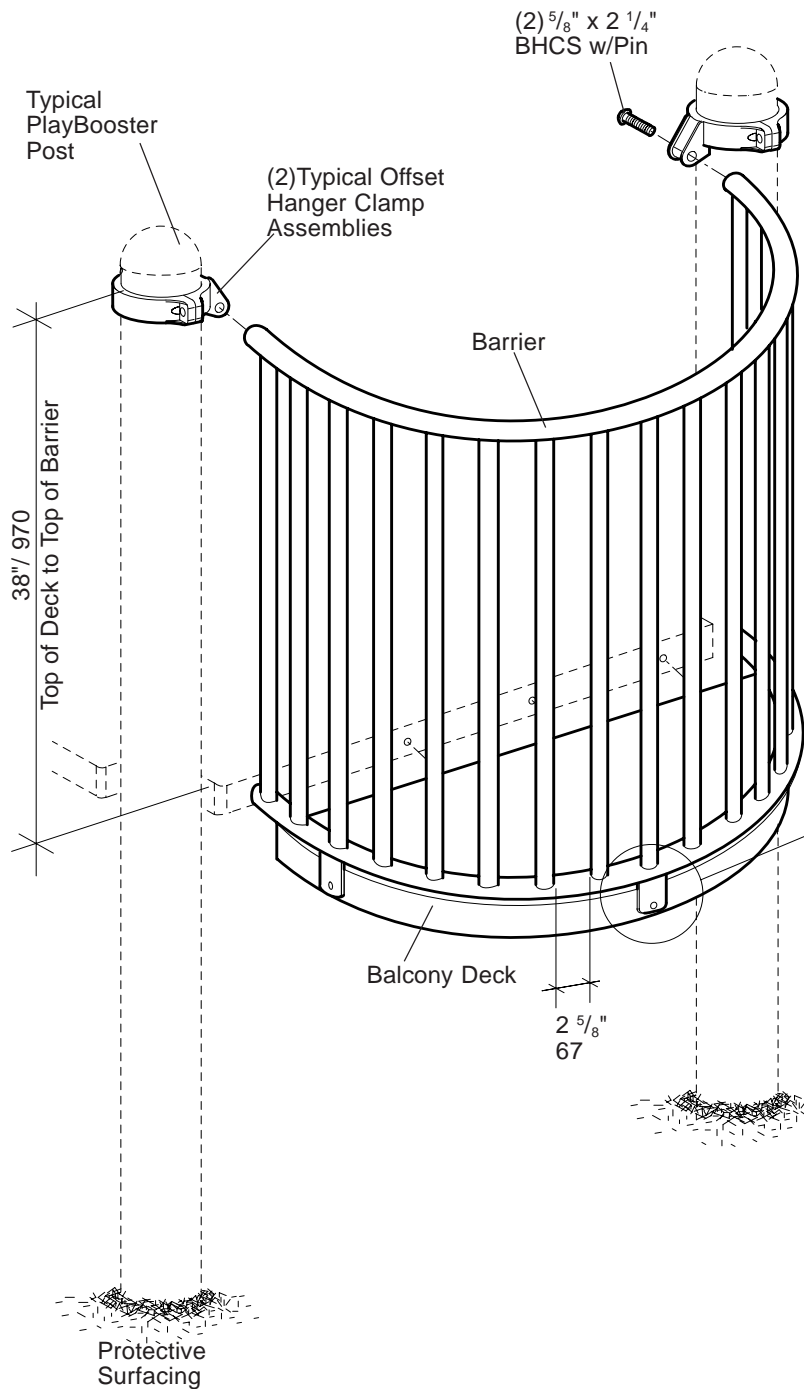
**Fasteners:** Primary fasteners shall be socketed and pinned tamperproof in design, stainless steel (SST) per ASTM F 879 unless otherwise indicated (see specific product installation/specifications).

**Installation Time:** Approx. 2 1/2 man hours

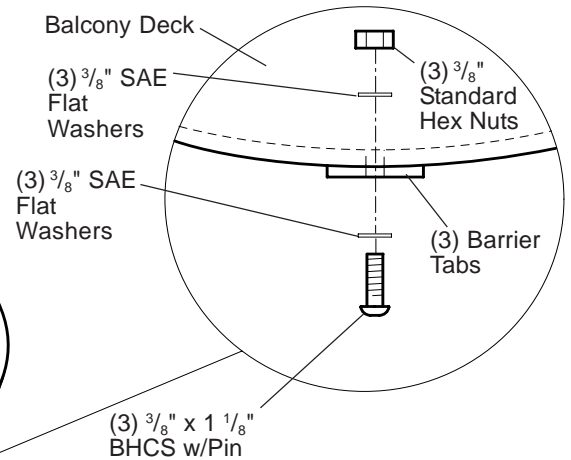
**Weight:** 284 lbs.

## Installation Instructions

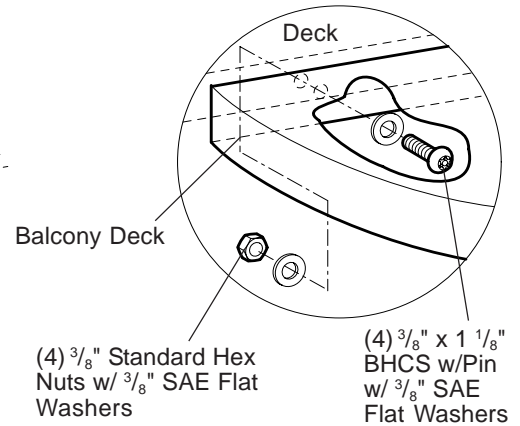
- 1) Mark posts for the appropriate height of the deck you are installing.
- 2) With deck on ground, position deck braces inside & under deck as shown and fasten outside two holes of deck braces to hex deck half using 3/8" x 7/8" BHCS w/pin with 3/8" flat washers and 3/8" standard hex nuts. Fasten inside two holes of deck braces to hex deck half using 3/8" x 1" flat head cap screws and 3/8" standard hex nuts with 3/8" SAE flat washers. Fasten tenderdeck members together using 3/8" x 1 1/8" BHCS w/pin with 3/8" flat washers and 3/8" standard hex nuts with 3/8" flat washers.
- 3) Fasten hanger clamps to marked position on posts. See Detail on the front of this sheet.
- 4) Lower deck assembly into position, lining up stud underneath deck with deck hanger clamp as shown. Attach using 3/8" hex patch nuts with 3/8" flat washers.
- 5) Level deck and plumb posts. Install the 1/4" x 5/8" drive rivets in all 5" half clamps. Refer to the Typical Offset Hanger Clamp Spec sheet.
- 6) After all enclosures/ components are installed, pour concrete footings per the Typical Concrete Footing Detail sheet. Allow concrete footings to cure a minimum of 72 hours before users are allowed to play on the structure.
- 7) Install protective surfacing before users are allowed to play on the structure.



**DETAIL  
BARRIER/BALCONY DECK**



**DETAIL  
TENDERDECK**





J:\SPECS\146\14608000.P65

# PlayBooster® 111240 Balcony Deck

## Parts List

Part#	Description	Qty.
146086-00	Balcony Deck, Specify Color .....	1
122586-00	Barrier, Specify Color .....	1
105327-01	5" Half Clamp, Specify Clamp .....	2
113729-00	Offset Hanger Clamp, Specify Color .....	2
<b>122948-00</b>	<b>Barrier Balcony Deck Hardware Package .....</b>	<b>1</b>
100198-00	3/8" x 1 1/8" BHCS w/Pin, SST .....	7
100203-00	5/8" x 2 1/4" BHCS w/Pin, SST .....	2
100327-00	3/8" Standard Hex Nut, SST .....	3
100351-00	3/8" Tee Nut, SST .....	4
100365-00	3/8" SAE Flat Washer, SST .....	6
100610-00	1/4" x 5/8" Drive Rivet, AL/SST .....	2
<b>121071-00</b>	<b>Tenderdeck Hardware Package .....</b>	<b>1</b>
100198-00	3/8" x 1 1/8" BHCS w/Pin, SST .....	4
100327-00	3/8" Standard Hex Nut, SST .....	4
100365-00	3/8" SAE Flat Washer, SST .....	8

## Specifications

**Deck:** Fabricated from 12 GA (.105") sheet steel conforming to ASTM A1011. Standing surface is perforated with 5/16" diameter holes. The finished size measures 2 5/8" x 34" (straight edge) x 17" radius (curved edge). Finish: TenderTuff™, color specified.

**Barrier:** Weldment comprised of 5/8" solid steel vertical rails, 1 1/8" O.D. steel horizontal rails with 203 or 303 stainless steel welded inserts with 5/8" internal threads. Finish: TenderTuff, color specified.

**Offset Hanger Clamp Assembly:** Cast aluminum. Finish: ProShield®, color specified.

**Fasteners:** Primary fasteners shall be socketed and pinned tamperproof in design, stainless steel (SST) per ASTM F 879 unless otherwise indicated (see specific product installation/specifications).

**Installation Time:** Approx. 1 1/2 man hours

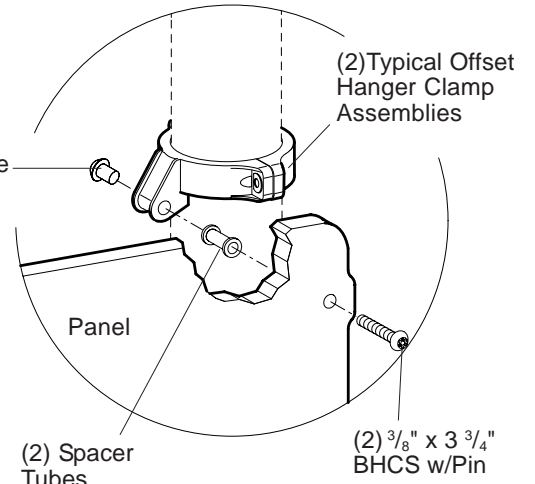
**Weight:** 121 lbs.

**Fall Height:** Deck Height

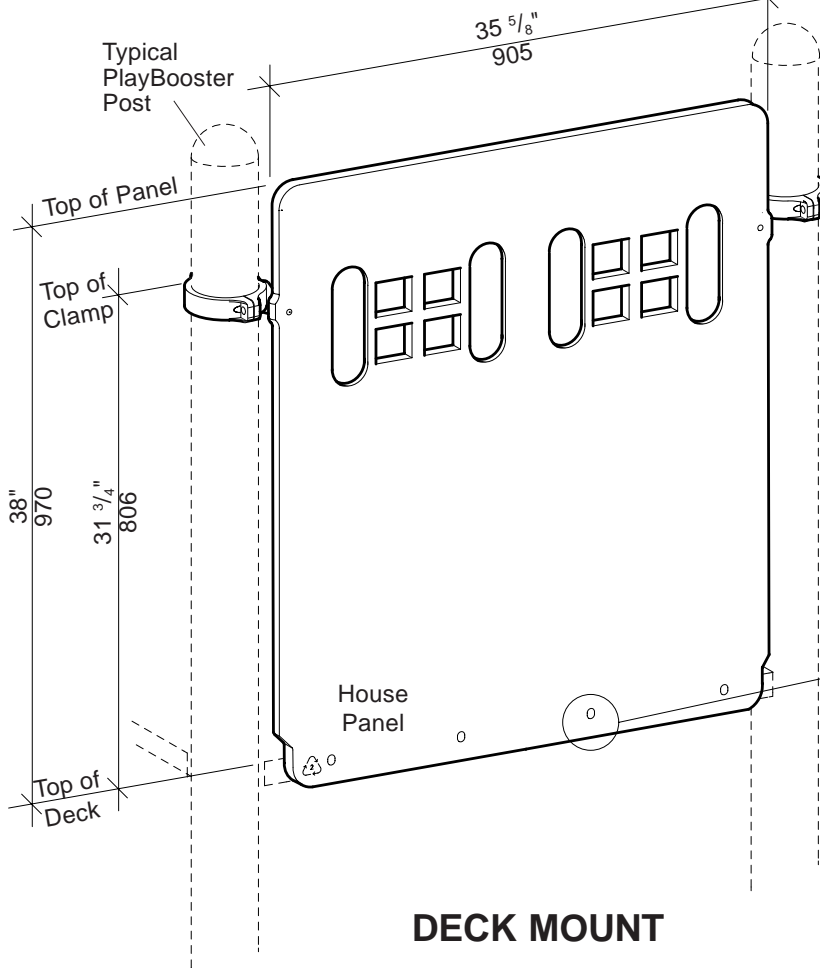
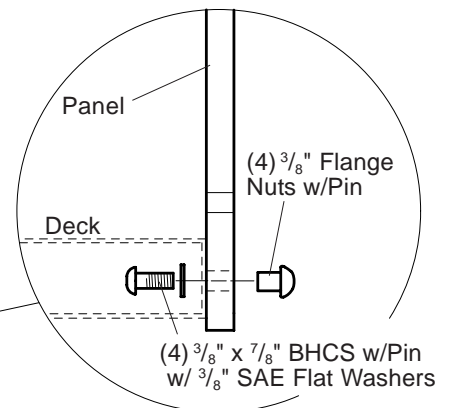
## Installation Instructions

- 1) Attach balcony deck to tenderdeck using 3/8" x 1 1/8" BHCS w/pin with 3/8" SAE flat washers and 3/8" standard hex nuts with 3/8" SAE flat washers. Refer to the Tenderdeck Detail.
- 2) Attach offset hanger clamps to posts at height shown using 5" half clamps, 3/8" x 1 1/8" BHCS w/pin and 3/8" tee nuts. Refer to the Typical Offset Hanger Clamp Spec Sheet.
- 3) Attach barrier tabs to balcony deck using 3/8" x 1 1/8" BHCS w/pin with 3/8" SAE flat washers and 3/8" standard hex nuts with 3/8" SAE flat washers. Refer to the Barrier/Balcony Deck Detail.
- 4) Attach barrier to offset hanger clamps using 5/8" x 2 1/4" BHCS w/pin, as shown.
- 5) Install 1/4" x 5/8" drive rivets in all 5" half clamps. Refer to the Typical Offset Hanger Clamp Spec Sheet.
- 6) Install protective surfacing before users are allowed to play on the structure.

**DETAIL  
PANEL ATTACHMENT**



**DETAIL  
TENDERDECKS**



## Parts List

Part#	Description	Qty.
<b>ABOVE DECK</b>		
105327-01	5" Half Clamp, Specify Color .....	2
113729-00	Offset Hanger Clamp, Specify Color .....	2
113468-00	Spacer Tube, Specify Color .....	2
117329-00	House Panel, Specify Color .....	1
<b>124900-00</b>	<b>Tenderdeck Mounting Hardware Package .....</b>	<b>1</b>
124460-00	3/8" x 3 3/4" BHCS w/Pin, SST .....	2
100196-00	3/8" x 7/8" BHCS w/Pin, SST .....	4
100198-00	3/8" x 1 1/8" BHCS w/Pin, SST .....	4
100351-00	3/8" Tee Nut, SST .....	4
100353-00	3/8" Flange Nut w/Pin, SST .....	6
100365-00	3/8" SAE Flat Washer, SST .....	4
<b>BELOW DECK</b>		
105327-01	5" Half Clamp, Specify Color .....	4
113729-00	Offset Hanger Clamp, Specify Color .....	4
113468-00	Spacer Tube, Specify Color .....	2
113464-00	Angled Panel Bracket, Specify Color .....	1
117329-00	House Panel, Specify Color .....	1
100610-00	1/4" x 5/8" Drive Rivet, AL/SST .....	4
<b>124947-00</b>	<b>Below Deck Mounting Hardware Package .....</b>	<b>1</b>
124460-00	3/8" x 3 3/4" BHCS w/Pin, SST .....	2
100195-00	3/8" x 5/8" BHCS w/Pin, SST .....	4
100198-00	3/8" x 1 1/8" BHCS w/Pin, SST .....	8
100203-00	5/8" x 2 1/4" BHCS w/Pin, SST .....	2
100351-00	3/8" Tee Nut, SST .....	8
100353-00	3/8" Flange Nut w/Pin, SST .....	6

## Specifications

<b>Permalene® Panel:</b>	Two color panel measures 35 5/8" wide x 41" high, color specified.
<b>Angled Panel Brkt:</b>	Weldment comprised of .190" thick 5052 aluminum formed angle with (2) 6061-T6 aluminum threaded tubes 1 1/8" O.D. x 1 1/2" long. Finish: ProShield®, color specified.
<b>Spacer Tube:</b>	Made from 6061-T6 aluminum 7/8" O.D. x 1 11/16". Finish: ProShield, color specified.
<b>Offset Hanger Clamp Assembly:</b>	Cast aluminum. Finish: ProShield, color specified.
<b>Fasteners:</b>	Primary fasteners shall be socketed and pinned tamperproof in design, stainless steel (SST) per ASTM F 879 unless otherwise indicated (see specific product installation/specifications).
<b>Installation Time:</b>	Above Deck Approx. 3/4 man hour Below Deck Approx. 1 man hour
<b>Weight:</b>	Above Deck 40 lbs. Below Deck 46 lbs.

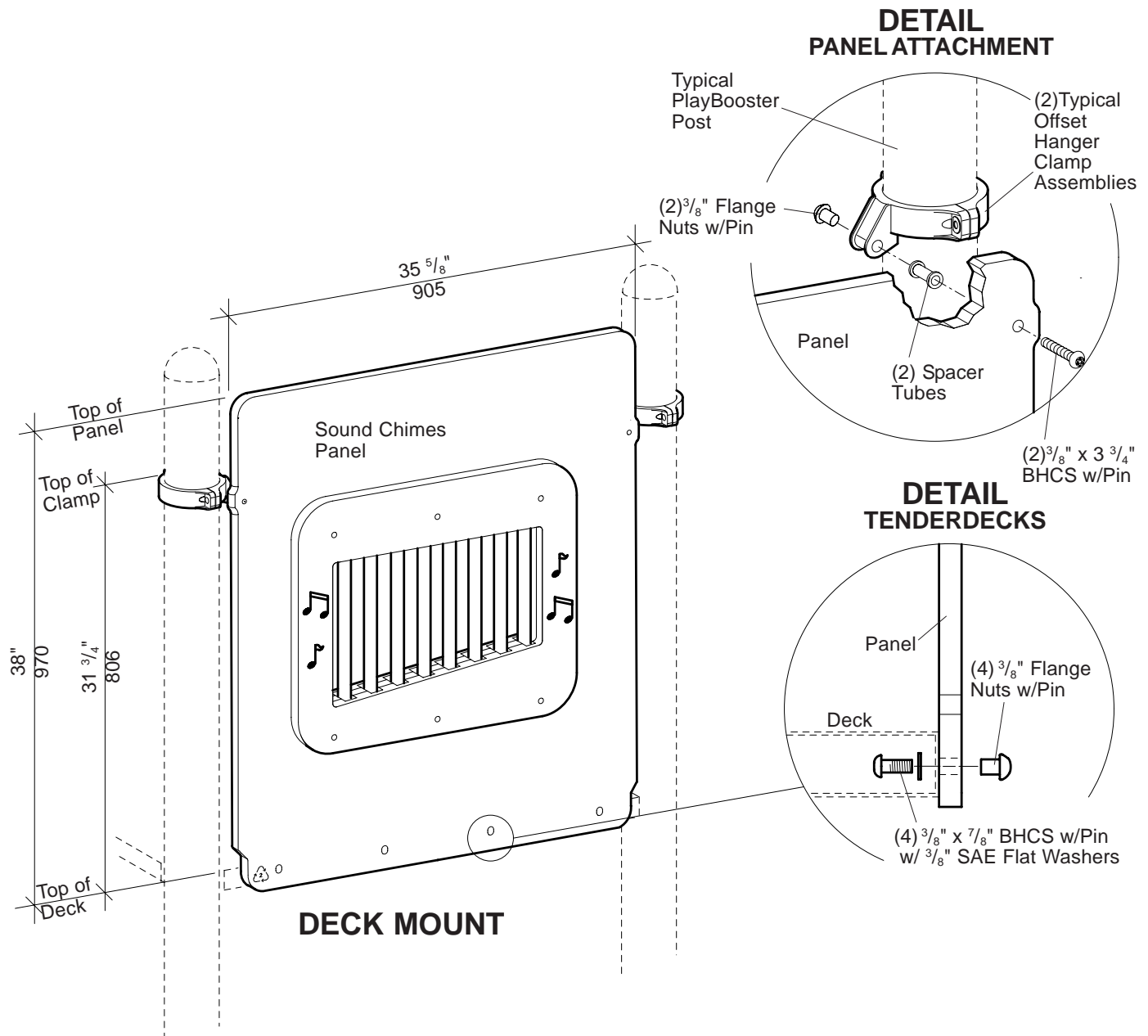
## Installation Instructions

### ABOVE DECK (See Sheet 1 of 2)

- 1) Attach panel to the face of the deck using 3/8" x 7/8" BHCSs w/pin with 3/8" SAE flat washers and 3/8" flange nuts w/pin. See Detail.
- 2) Attach offset hanger clamp assemblies to posts at height shown, using half clamps and 3/8" x 1 1/8" BHCS w/pin with 3/8" tee nuts. Refer To The Typical Offset Hanger Clamp Spec Sheet.
- 3) Attach panel to offset hanger clamp assemblies, using 3/8" x 3 3/4" BHCS w/pin, spacer tubes and 3/8" flange nuts w/pin. See Panel Attachment Detail.
- 4) Install protective surfacing before users are allowed to play on the structure.

### BELOW DECK (See Sheet 2 of 2)

- 1) Attach offset hanger clamp assemblies to posts at height shown, using half clamps and 3/8" x 1 1/8" BHCS w/pin with 3/8" tee nuts. Refer To The Typical Offset Hanger Clamp Spec Sheet.
- 2) Attach angled panel bracket to bottom of panel, using 3/8" x 5/8" BHCS w/pin and 3/8" flange nuts w/pin. See Below Deck Mount.
- 3) Attach angled panel bracket with panel to offset hanger clamp assemblies, using 5/8" x 2 1/4" BHCS w/pin. See Below Deck Mount.
- 4) Attach top of panel to offset hanger clamp assemblies, using 3/8" x 3 3/4" BHCS w/pin, spacer tubes and 3/8" flange nuts w/pin. See Below Deck Mount.
- 5) Install 1/4" x 5/8" drive rivets in all 5" half clamps. Refer to the Typical Offset Hanger Clamp Spec Sheet.
- 6) Install protective surfacing before users are allowed to play on the structure.



**NOTE:**  
 The Sound Chimes Panel is preassembled at the factory.



J:\SPECS\182\18204600.P65

## Parts List

Part#	Description	Qty.
<b>ABOVE DECK</b>		
105327-01	5" Half Clamp, Specify Color .....	2
113729-00	Offset Hanger Clamp, Specify Color .....	2
113468-00	Spacer Tube, Specify Color .....	2
181977-00	Chimes Panel Assy., Specify Color .....	1
<b>124900-00</b>	<b>Tenderdeck Mounting Hardware Package .....</b>	<b>1</b>
124460-00	3/8" x 3 3/4" BHCS w/Pin, SST .....	2
100196-00	3/8" x 7/8" BHCS w/Pin, SST .....	4
100198-00	3/8" x 1 1/8" BHCS w/Pin, SST .....	4
100351-00	3/8" Tee Nut, SST .....	4
100353-00	3/8" Flange Nut w/Pin, SST .....	6
100365-00	3/8" SAE Flat Washer, SST .....	4
<b>BELOW DECK</b>		
105327-01	5" Half Clamp, Specify Color .....	4
113729-00	Offset Hanger Clamp, Specify Color .....	4
113468-00	Spacer Tube, Specify Color .....	2
113464-00	Angled Panel Bracket, Specify Color .....	1
181977-00	Chimes Panel Assy., Specify Color .....	1
100610-00	1/4" x 5/8" Drive Rivet, AL/SST .....	4
<b>124947-00</b>	<b>Below Deck Mounting Hardware Package .....</b>	<b>1</b>
124460-00	3/8" x 3 3/4" BHCS w/Pin, SST .....	2
100195-00	3/8" x 5/8" BHCS w/Pin, SST .....	4
100198-00	3/8" x 1 1/8" BHCS w/Pin, SST .....	8
100203-00	5/8" x 2 1/4" BHCS w/Pin, SST .....	2
100351-00	3/8" Tee Nut, SST .....	8
100353-00	3/8" Flange Nut w/Pin, SST .....	6

## Specifications

<b>Permalene® Panel:</b>	Solid color panel measures 35 5/8" wide x 41" high, color specified.
<b>Chimes:</b>	Fabricated from 6063-T832 aluminum. Finish: Anodized per Mil - A - 8625 type 2, class 1.
<b>Angled Panel Brkt:</b>	Weldment comprised of .190" thick 5052 aluminum formed angle with (2) 6061-T6 aluminum threaded tubes 1 1/8" O.D. x 1 1/2" long. Finish: ProShield®, color specified.
<b>Spacer Tube:</b>	Made from 6061-T6 aluminum 7/8" O.D. x 1 11/16". Finish: ProShield, color specified.
<b>Offset Hanger Clamp Assembly:</b>	Cast aluminum. Finish: ProShield, color specified
<b>Fasteners:</b>	Primary fasteners shall be socketed and pinned tamperproof in design, stainless steel (SST) per ASTM F 879 unless otherwise indicated (see specific product installation/specifications).
<b>Installation Time:</b>	Above Deck Approx. 3/4 man hour Below Deck Approx. 1 man hour
<b>Weight:</b>	Above Deck 48 lbs. Below Deck 56 lbs.

# PlayBooster® 115243 Chimes Panel

## Installation Instructions

### ABOVE DECK (See Sheet 1 of 2)

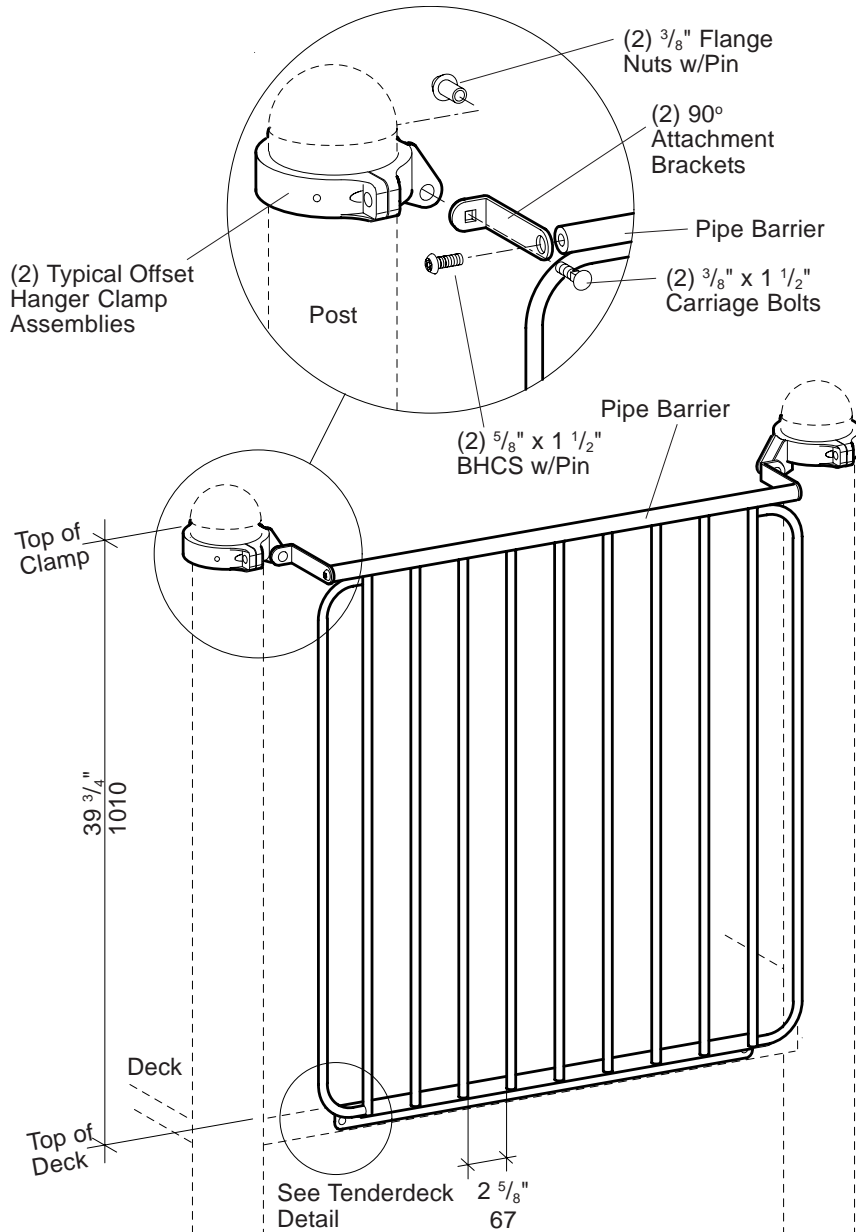
- 1) Attach panel to the face of the deck, using 3/8" x 7/8" BHCS w/pin with 3/8" SAE flat washers and 3/8" flange nuts w/pin. See Detail.
- 2) Attach offset hanger assemblies to posts at height shown, using half clamps and 3/8" x 1 1/8" BHCS w/pin with 3/8" tee nuts. Refer To The Typical Offset Hanger Clamp Spec Sheet.
- 3) Attach panel to offset hanger clamp assemblies using 3/8" x 3 3/4" BHCS w/pin, spacer tubes and 3/8" flange nuts w/pin. See Panel Attachment Detail.
- 4) Install protective surfacing before users are allowed to play on the structure.

### BELOW DECK (SEE SHEET 2 OF 2)

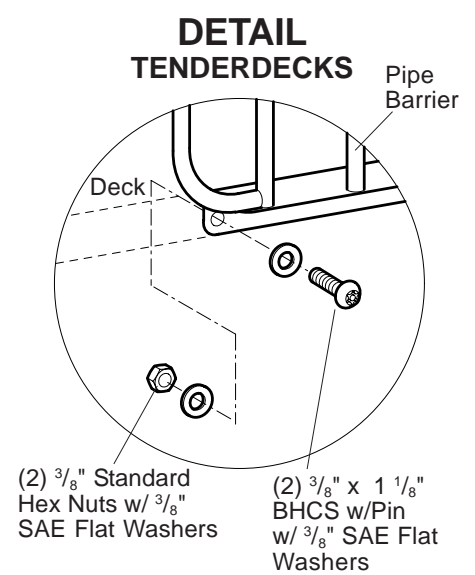
- 1) Attach offset hanger assemblies to posts at height shown, using half clamps and 3/8" x 1 1/8" BHCS w/pin with 3/8" tee nuts. Refer To The Typical Offset Hanger Clamp Spec Sheet.
- 2) Attach angled panel bracket to bottom of panel, using 3/8" x 5/8" BHCS w/pin and 3/8" flange nuts w/pin. See Below Deck Mount.
- 3) Attach angled panel bracket with panel to offset hanger assemblies, using 5/8" x 2 1/4" BHCS w/pin. See Below Deck Mount.
- 4) Attach top of panel to offset hanger assemblies using 3/8" x 3 3/4" BHCS w/pin, spacer tubes and 3/8" flange nuts w/pin. See Typical Attachment To Post Detail.
- 5) Install 1/4" x 5/8" drive rivets in all 5" half clamps. Refer To The Typical Offset Hanger Clamp Spec Sheet.
- 6) Install protective surfacing before users are allowed to play on the structure.



**DETAIL**  
**90° ATTACHMENT BRACKETS**



**DETAIL**  
**TENDERDECKS**



**DECK MOUNT**

Protective Surfacing

## Parts List

Part#	Description	Qty.
<b>ABOVE DECK</b>		
132755-00	Pipe Barrier, Specify Color .....	1
128824-00	90° Attachment Bracket, Specify Color .....	2
105327-01	5" Half Clamp, Specify Color .....	2
113729-00	Offset Hanger Clamp, Specify Color .....	2
<b>132739-00</b>	<b>Barrier, Above Deck Hardware Package .....</b>	<b>1</b>
100198-00	3/8" x 1 1/8" BHCS w/Pin, SST .....	6
100201-00	5/8" x 1 1/2" BHCS w/Pin, SST .....	2
100351-00	3/8" Tee Nut, SST .....	4
100353-00	3/8" Flange Nut w/Pin, SST .....	2
116017-00	3/8" x 1 1/2" Carriage Bolt w/Patch, SST .....	2
100327-00	3/8" Standard Hex Nut, SST .....	2
100365-00	3/8" SAE Flat Washer, SST .....	4
<b>BELOW DECK</b>		
132755-00	Pipe Barrier, Specify Color .....	1
128824-00	90° Attachment Bracket, Specify Color .....	2
105327-01	5" Half Clamp, Specify Color .....	4
113729-00	Offset Hanger Clamp, Specify Color .....	4
113464-00	Angled Panel Bracket, Specify Color .....	1
100610-00	1/4" x 5/8" Drive Rivet, AL/SST .....	4
<b>132741-00</b>	<b>Barrier, Below Deck Hardware Package .....</b>	<b>1</b>
116017-00	3/8" x 1 1/2" Carriage Bolt, SST .....	2
100198-00	3/8" x 1 1/8" BHCS w/Pin, SST .....	8
100196-00	3/8" x 7/8" BHCS w/Pin, SST .....	2
100203-00	5/8" x 2 1/4" BHCS w/Pin, SST .....	2
100351-00	3/8" Tee Nut, SST .....	8
100201-00	5/8" x 1 1/2" BHCS w/Pin, SST .....	2
100327-00	3/8" Standard Hex Nut, SST .....	2
100365-00	3/8" SAE Flat Washer, SST .....	4
100353-00	3/8" Flange Nut w/Pin, SST .....	2

## Specifications

**Barrier:** Weldment comprised of 5/8" solid steel vertical rails, 1 1/8" O.D. x 11 GA (.120") steel horizontal rails with 203 or 303 stainless steel welded inserts with 5/8" internal threads, 1 1/2" x 1 1/2" x 29 1/2" angle iron. Barrier measures 33 7/8" wide x 39 13/16" high. Finish: TenderTuff™, color specified.

**90° Bracket:** Formed from 1/4" x 1 1/4" HRPO flat steel. Finish: ProShield®, color specified.

**Angled Panel Brkt.:** Weldment comprised of .190" thick 5052 aluminum formed angle with (2) 6061-T6 aluminum threaded tubes 1 1/8" O.D. x 1 1/2" long. Finish: ProShield, color specified.

**Offset Hanger Clamp Assembly:** Cast aluminum. Finish: ProShield, color specified.

**Fasteners:** Primary fasteners shall be socketed and pinned tamperproof in design, stainless steel (SST) per ASTM F 879 unless otherwise indicated (see specific product installation/specifications)

**Installation Time:** Approx. 1 man hour

**Weight:** Above Deck 52 lbs.  
Below Deck 56 lbs.

## Installation Instructions

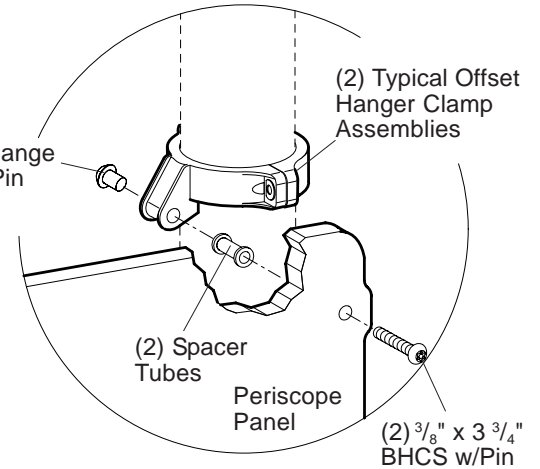
### ABOVE DECK (See Sheet 1 of 2)

- 1) Attach pipe barrier to the face of the deck using 3/8" x 1 1/8" BHCS w/pin with 3/8" SAE flat washers and 3/8" standard hex nuts with 3/8" SAE flat washers. Refer To The Tenderdeck Detail.
- 2) Attach offset hanger clamps to posts at height shown, using 5" half clamps and 3/8" x 1 1/8" BHCS w/pin with 3/8" tee nuts. Refer To The Typical Offset Hanger Clamp Spec Sheet.
- 3) Attach the 90° attachment brackets to pipe barrier using 5/8" x 1 1/2" BHCS w/pin. Refer To The 90° Attachment Bracket Detail.
- 4) Attach the 90° attachment brackets to the offset hanger clamps using 3/8" x 1 1/2" carriage bolts and 3/8" flange nuts w/pin. Refer To The 90° Attachment Bracket Detail.
- 5) Install protective surfacing before users are allowed to play on the structure.

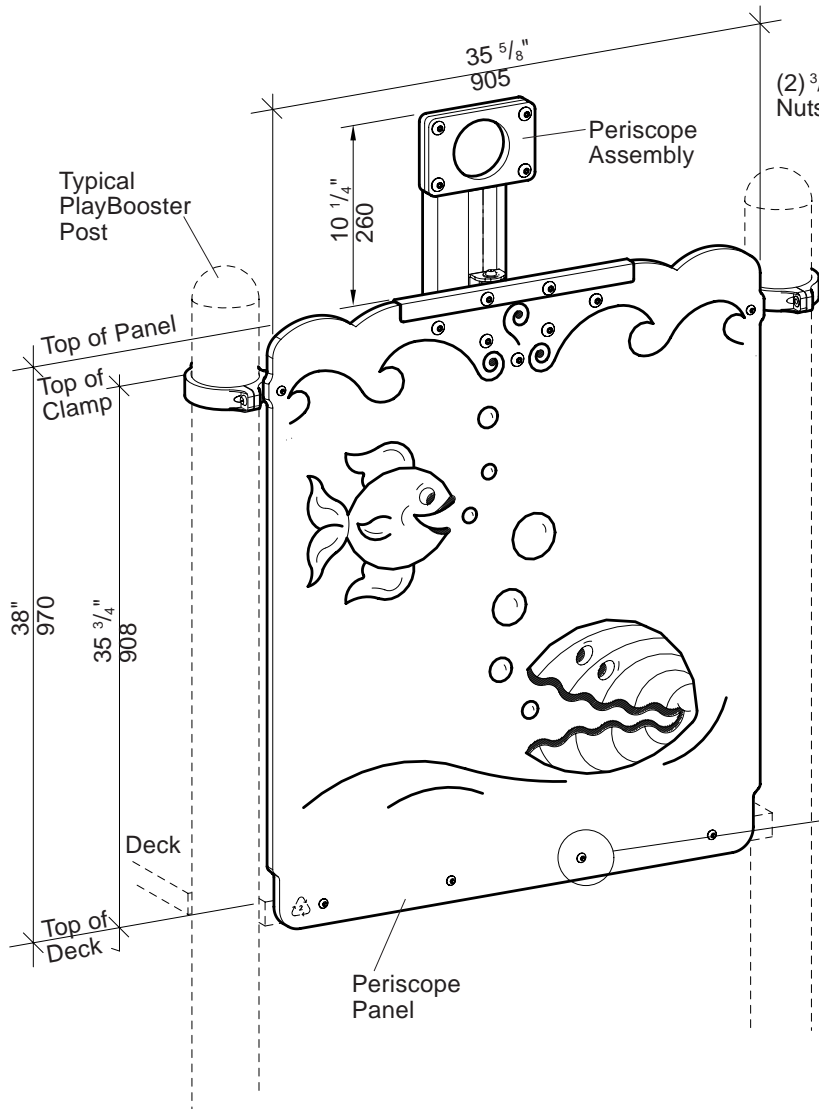
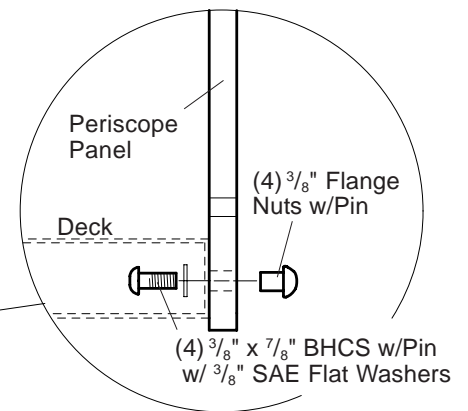
### BELOW DECK (See Sheet 2 of 2)

- 1) Attach offset hanger assemblies to posts at height shown. Using 5" half clamps and 3/8" x 1 1/8" BHCS w/pin and with 3/8" tee nuts. Refer To The Typical Offset Hanger Clamp Spec Sheet.
- 2) Attach angled panel bracket to bottom of pipe barrier using 3/8" x 7/8" BHCS w/pin with 3/8" SAE flat washers and 3/8" standard hex nuts with 3/8" SAE flat washers. See Below Deck Mount.
- 3) Attach angled panel bracket with pipe barrier to offset hanger clamp assemblies using 5/8" x 2 1/4" BHCS w/pin. See Below Deck Mount.
- 4) Attach the 90° attachment brackets to pipe barrier using 5/8" x 1 1/2" BHCS w/pin. Refer To The 90° Attachment Bracket Detail.
- 5) Attach the 90° attachment brackets to the offset hanger clamps using 3/8" x 1 1/2" carriage bolts and 3/8" flange nuts w/pin. Refer To The 90° Attachment Bracket Detail.
- 6) Install 1/4" x 5/8" drive rivets in all 5" half clamps. Refer to the Typical Offset Hanger Clamp Spec sheet.
- 7) Install protective surfacing before users are allowed to play on the structure.

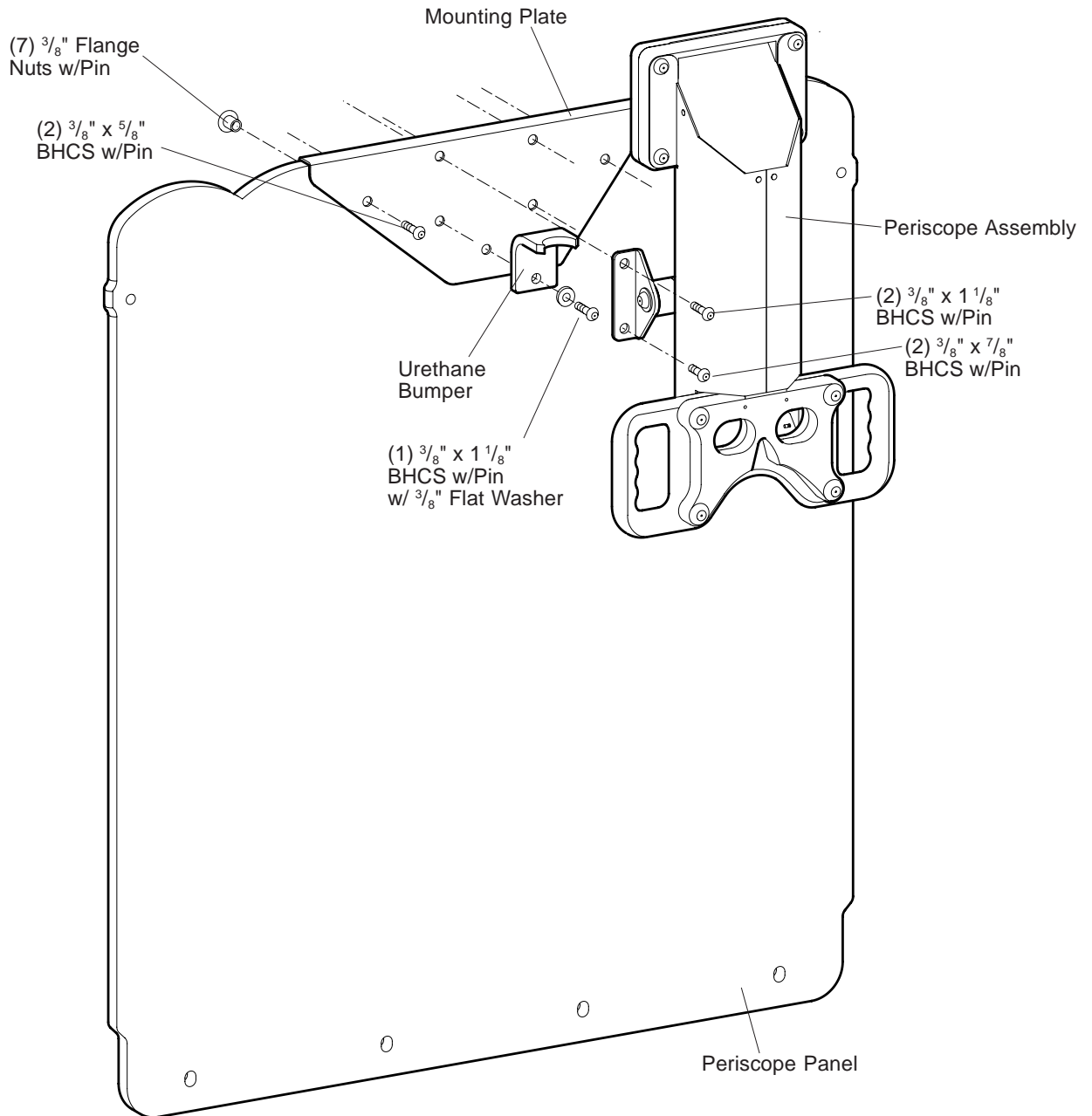
**DETAIL  
PANEL ATTACHMENT**



**DETAIL  
TENDERDECKS**



**DECK MOUNT**



BACK OF PANEL

## Parts List

Part#	Description	Qty.
<b>ABOVE DECK</b>		
129071-00	Periscope Panel, Specify Color .....	1
129118-00	Periscope Assembly, Specify Color .....	1
130269-00	Mounting Plate, Specify Color .....	1
113729-00	Offset Hanger Clamp, Specify Color .....	2
105327-01	5" Half Clamp, Specify Color .....	2
113468-00	Spacer Tube, Specify Color .....	2
100610-00	1/4" x 5/8" Drive Rivet, AL/SST .....	2
<b>130367-00</b>	<b>Periscope Attachment Hardware Package</b> .....	<b>1</b>
100195-00	3/8" x 5/8" BHCS w/Pin, SST .....	2
100196-00	3/8" x 7/8" BHCS w/Pin, SST .....	2
100198-00	3/8" x 1 1/8" BHCS w/Pin, SST .....	3
100353-00	3/8" Flange Nut w/Pin, SST .....	7
100362-00	3/8" Flat Washer, SST .....	1
145121-00	Urethane Bumper .....	1
<b>124900-00</b>	<b>Tenderdeck Mounting Hardware Package</b> .....	<b>1</b>
124460-00	3/8" x 3 3/4" BHCS w/Pin, SST .....	2
100196-00	3/8" x 7/8" BHCS w/Pin, SST .....	4
100198-00	3/8" x 1 1/8" BHCS w/Pin, SST .....	4
100351-00	3/8" Tee Nut, SST .....	4
100353-00	3/8" Flange Nut w/Pin, SST .....	6
100365-00	3/8" SAE Flat Washer, SST .....	4
<b>BELOW DECK</b>		
129071-00	Periscope Panel, Specify Color .....	1
129118-00	Periscope Assembly, Specify Color .....	1
130269-00	Mounting Plate, Specify Color .....	1
113729-00	Offset Hanger Clamp, Specify Color .....	4
105327-01	5" Half Clamp, Specify Color .....	4
113468-00	Spacer Tube, Specify Color .....	2
113464-00	Angled Panel Bracket, Specify Color .....	1
100610-00	1/4" x 5/8" Drive Rivet, AL/SST .....	4
<b>130367-00</b>	<b>Periscope Attachment Hardware Package</b> .....	<b>1</b>
100195-00	3/8" x 5/8" BHCS w/Pin, SST .....	2
100196-00	3/8" x 7/8" BHCS w/Pin, SST .....	2
100198-00	3/8" x 1 1/8" BHCS w/Pin, SST .....	3
100353-00	3/8" Flange Nut w/Pin, SST .....	7
100362-00	3/8" Flat Washer, SST .....	1
145121-00	Urethane Bumper .....	1
<b>124947-00</b>	<b>Below Deck Mounting Hardware Package</b> .....	<b>1</b>
124460-00	3/8" x 3 3/4" BHCS w/Pin, SST .....	2
100195-00	3/8" x 5/8" BHCS w/Pin, SST .....	4
100198-00	3/8" x 1 1/8" BHCS w/Pin, SST .....	8
100203-00	5/8" x 2 1/4" BHCS w/Pin, SST .....	2
100351-00	3/8" Tee Nut, SST .....	8
100353-00	3/8" Flange Nut w/Pin, SST .....	6

## Specifications

<b>Permalene® Panel:</b>	Two color panel measures 35 5/8" x 41" high, color specified.
<b>Periscope Assy.:</b>	Fabricated from an octagon 14 GA (.075") steel tube with (2) 18 GA (.048") 304 stainless steel bright annealed (reflective finishes). Periscope rotates vertically and horizontally. Finish: ProShield®, color specified. Permalene: Hand-grip and lense covers are black in color.
<b>Mounting Plate:</b>	Fabricated from formed 11 GA (.120") HRS. Finish: ProShield, color specified.
<b>Angled Panel Brkt.:</b>	Weldment comprised of .190" thick 5052 aluminum formed angle with (2) 6061-T6 aluminum threaded tubes 1 1/8" O.D. x 1 1/2" long. Finish: ProShield, color specified.
<b>Spacer Tube:</b>	Made from 6061-T6 aluminum 7/8" O.D. x 1 11/16". Finish: ProShield, color specified.
<b>Offset Hanger Clamp Assembly:</b>	Cast aluminum. Finish: ProShield, color specified.
<b>Fasteners:</b>	Primary fasteners shall be socketed and pinned tamperproof in design, stainless steel (SST) per ASTM F 879 unless otherwise indicated (see specific product installation/specifications).

**Installation Time:** Above Deck Approx. 3/4 man hour  
Below Deck Approx. 1 man hour  
**Weight:** Above Deck 67 lbs.  
Below Deck 73 lbs.

## Installation Instructions

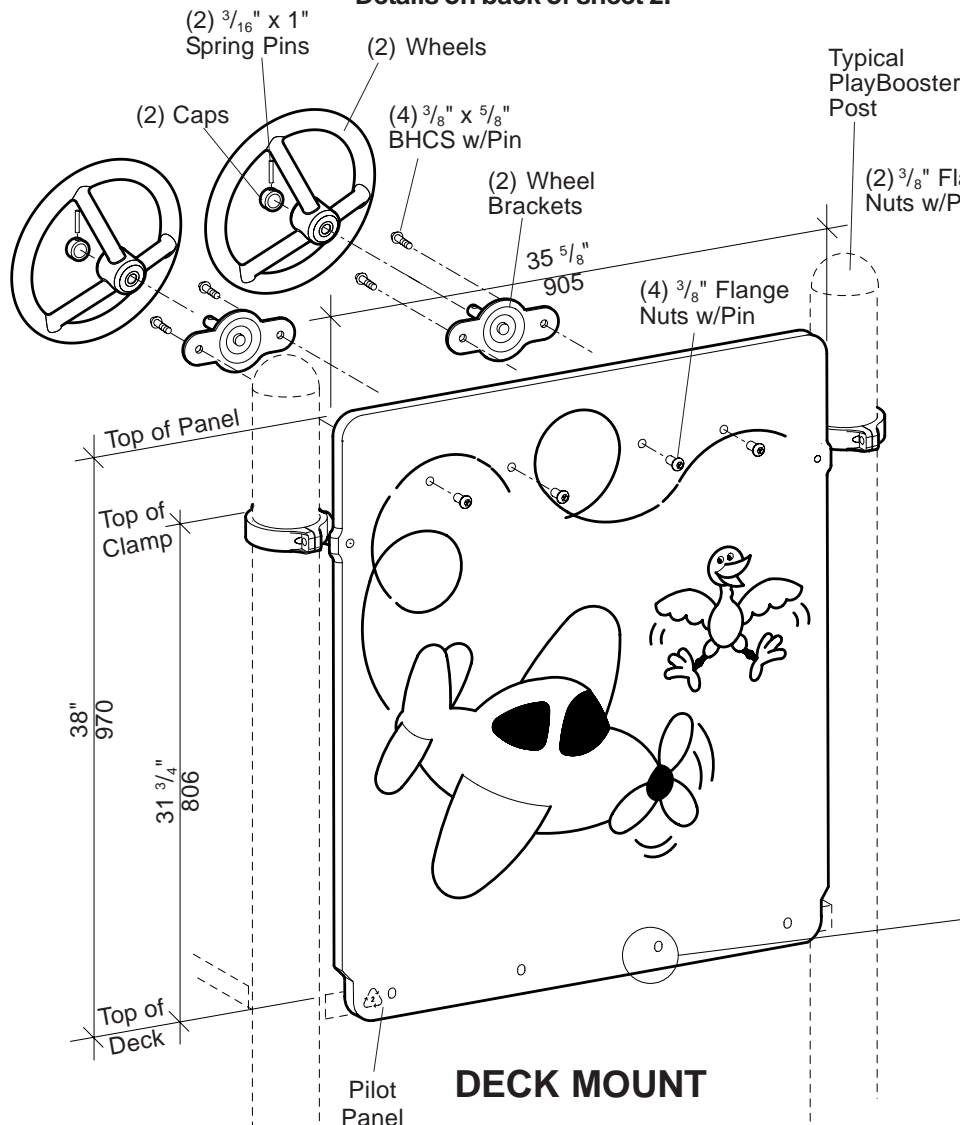
### ABOVE DECK

- 1) Attach panel to the face of the deck using 3/8" x 7/8" BHCS w/pin with 3/8" SAE flat washers and 3/8" flange nuts w/pin. Refer to the Tenderdeck Detail.
- 2) Attach offset hanger clamp assemblies to posts at height shown, using half clamps and 3/8" x 1 1/8" BHCS w/pin with 3/8" tee nuts. Refer to the Typical Offset Hanger Clamp Spec Sheet.
- 3) Attach panel to the offset hanger clamp assemblies, using 3/8" x 3 3/4" BHCS w/pin, spacer tubes and 3/8" flange nuts w/pin. Refer to the Panel Attachment Detail.
- 4) Attach periscope assembly to panel, using mounting plate, 3/8" x 5/8" BHCS w/pin, 3/8" x 7/8" BHCS w/pin, 3/8" x 1 1/8" BHCS w/pin and 3/8" flange nuts w/pin, as shown.
- 5) Attach urethane bumper to periscope assembly, using 3/8" x 1 1/8" BHCS w/pin with 3/8" flat washer and 3/8" flange nut w/pin, as shown.

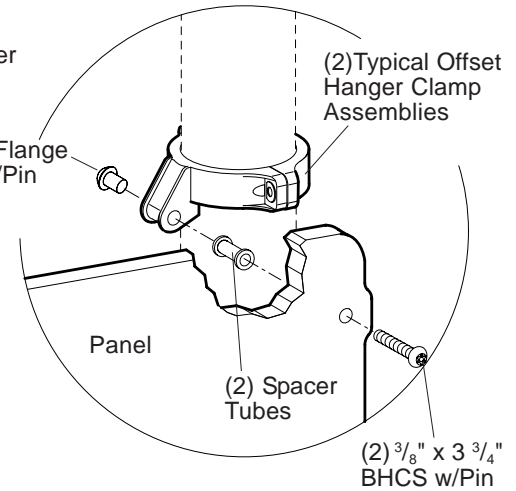
### BELOW DECK

- 1) Attach offset hanger clamp assemblies to posts at height shown, using half clamps and 3/8" x 1 1/8" BHCS w/pin with 3/8" tee nuts. Refer to the Typical Offset Hanger Clamp Spec Sheet.
- 2) Attach angled panel bracket to bottom of panel, using 3/8" x 5/8" BHCS w/pin and 3/8" flange nuts w/pin. Refer to Below Deck Mount.
- 3) Attach angled panel bracket with panel to offset hanger clamp assemblies, using 5/8" x 2 1/4" BHCS w/pin. Refer to Below Deck Mount.
- 4) Attach top of panel to offset hanger clamp assemblies, using 3/8" x 3 3/4" BHCS w/pin, spacer tubes and 3/8" flange nuts w/pin. Refer to Below Deck Mount.
- 5) Attach periscope assembly to panel, using mounting plate, 3/8" x 5/8" BHCS w/pin, 3/8" x 7/8" BHCS w/pin, 3/8" x 1 1/8" BHCS w/pin and 3/8" flange nuts w/pin, as shown.
- 6) Attach urethane bumper to periscope assembly, using 3/8" x 1 1/8" BHCS w/pin with 3/8" flat washer and 3/8" flange nut w/pin, as shown.
- 7) Install 1/4" x 5/8" drive rivets in all 5" half clamps. Refer to the Typical Offset Hanger Clamp Spec Sheet.
- 8) Install protective surfacing before users are allowed to play on the structure.

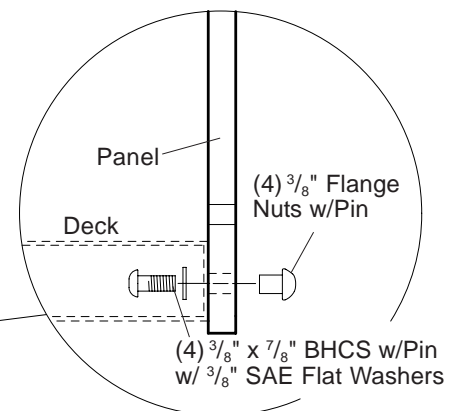
Refer to Wheel Assembly  
Details on back of sheet 2.



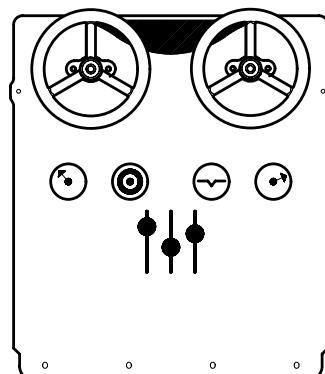
**DETAIL  
PANEL ATTACHMENT**



**DETAIL  
TENDERDECKS**



Back Side



**NOTE: Steering Wheel Infill Panel available. Refer to the Wheel Spec Sheet.**

## Parts List

Part#	Description	Qty.
<b>ABOVE DECK</b>		
127588-00	Pilot Panel, Specify Color .....	1
108432-00	Wheel, Specify Color .....	2
127242-00	Steering Wheel Bracket, Specify Color .....	2
105327-01	5" Half Clamp, Specify Color .....	2
113729-00	Offset Hanger Clamp, Specify Color .....	2
113468-00	Spacer Tube, Specify Color .....	2
100610-00	1/4" x 5/8" Drive Rivet, AL/SST .....	2
<b>148626-00</b>	<b>Permalene Panel Hardware Package .....</b>	<b>2</b>
100195-00	3/8" x 3/8" BHCS w/Pin, SST .....	4
100353-00	3/8" Flange Nut w/Pin, SST .....	4
118452-00	3/16" x 1" Spring Pin, SST .....	2
148623-00	Cap, White .....	2
<b>124900-00</b>	<b>Tenderdeck Mounting Hardware Package .....</b>	<b>1</b>
124460-00	3/8" x 3 3/4" BHCS w/Pin, SST .....	2
100196-00	3/8" x 7/8" BHCS w/Pin, SST .....	4
100198-00	3/8" x 1 1/8" BHCS w/Pin, SST .....	4
100351-00	3/8" Tee Nut, SST .....	4
100353-00	3/8" Flange Nut w/Pin, SST .....	6
100365-00	3/8" SAE Flat Washer, SST .....	4
<b>BELOW DECK</b>		
127588-00	Pilot Panel, Specify Color .....	1
113464-00	Angled Panel Bracket, Specify Color .....	1
127242-00	Steering Wheel Bracket, Specify Color .....	2
108432-00	Wheel, Specify Color .....	2
105327-01	5" Half Clamp, Specify Color .....	4
113729-00	Offset Hanger Clamp, Specify Color .....	4
113468-00	Spacer Tube, Specify Color .....	2
100610-00	1/4" x 5/8" Drive Rivet, AL/SST .....	4
<b>148626-00</b>	<b>Permalene Panel Hardware Package .....</b>	<b>2</b>
100195-00	3/8" x 5/8" BHCS w/Pin, SST .....	4
100353-00	3/8" Flange Nut w/Pin, SST .....	4
118452-00	3/16" x 1" Spring Pin, SST .....	2
148623-00	Cap, White .....	2
<b>124947-00</b>	<b>Ground Level Mounting Hardware Package .....</b>	<b>1</b>
124460-00	3/8" x 3 3/4" BHCS w/Pin, SST .....	2
100195-00	3/8" x 5/8" BHCS w/Pin, SST .....	4
100198-00	3/8" x 1 1/8" BHCS w/Pin, SST .....	8
100203-00	5/8" x 2 1/4" BHCS w/Pin, SST .....	2
100351-00	3/8" Tee Nut, SST .....	8
100353-00	3/8" Flange Nut w/Pin, SST .....	6

## Specifications

<b>Permalene® Panel:</b>	Two color panel measures 35 5/8" wide x 41" high, color specified.
<b>Wheel Bracket:</b>	Weldment comprised of formed 3/16" plate and 5/8" O.D. stainless steel shaft. Finish: ProShield®, color specified.
<b>Wheel:</b>	12" diameter cast A356 aluminum alloy. Finish: TenderTuff®, color specified.
<b>Angled Panel Brkt:</b>	Weldment comprised of .190" thick 5052 aluminum formed angle with (2) 6005-T5 aluminum threaded tubes 1 1/8" O.D. x 1 1/2" long. Finish: ProShield, color specified.
<b>Spacer Tube:</b>	Made from 6061-T6 aluminum 7/8" O.D. x 1 11/16". Finish: ProShield, color specified.

# PlayBooster® 119514 Pilot Panel

<b>Offset Hanger Clamp Assembly:</b>	Cast aluminum. Finish: ProShield, color specified.
<b>Fasteners:</b>	Primary fasteners shall be socketed and pinned tamperproof in design, stainless steel (SST) per ASTM F 879 unless otherwise indicated (see specific product installation/specifications).
<b>Installation Time:</b>	Above Deck Approx. 3/4 man hour Below Deck Approx. 1 man hour
<b>Weight:</b>	Above Deck 53 lbs. Below Deck 61 lbs.

## Installation Instructions

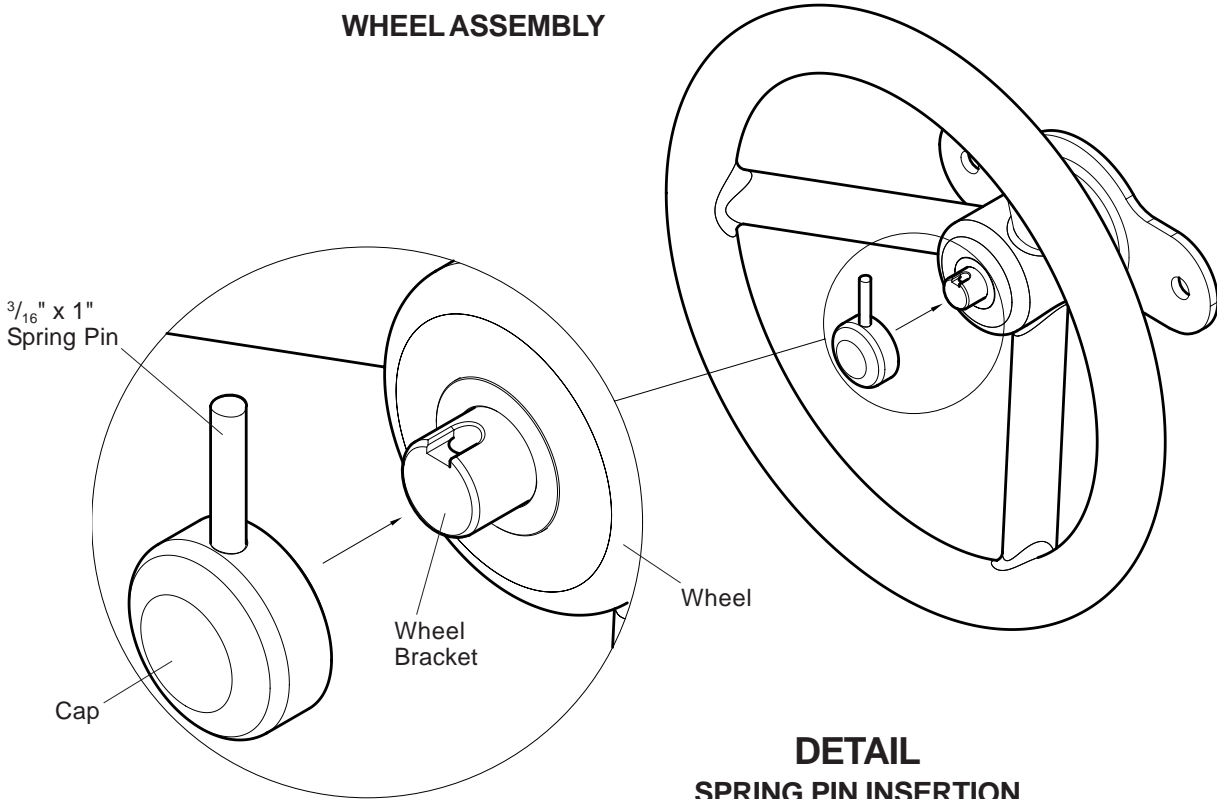
### ABOVE DECK (See Sheet 1 of 2)

- (Attach panel to the face of the decks, using 3/8" x 7/8" BHCS w/pin with 3/8" SAE flat washers and 3/8" flange nuts w/pin. Refer to the Tenderdeck Detail.
- Attach offset hanger assemblies to posts at height shown, using half clamps and 3/8" x 1 1/8" BHCS w/pin with 3/8" tee nuts. Refer to the Typical Offset Hanger Clamp Spec Sheet.
- Attach panel to offset hanger assemblies, using 3/8" x 3 3/4" BHCS w/pin, spacer tubes and 3/8" flange nuts w/pin. See Panel Attachment Detail.
- Attach wheels as shown on sheet 1 & back of sheet 2.
- Install protective surfacing before users are allowed to play on the structure.

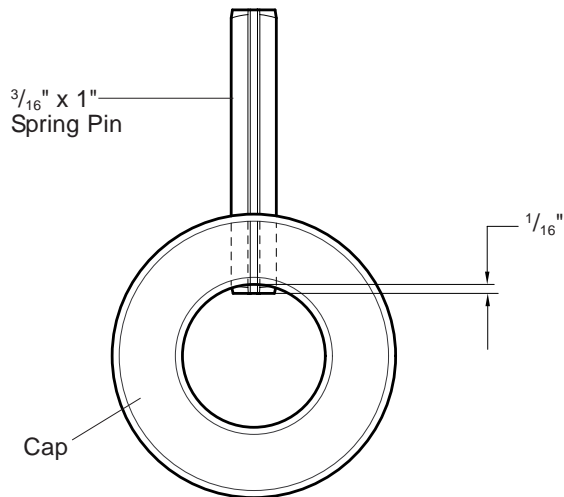
### BELOW DECK (See Sheet 2 of 2)

- Attach offset hanger assemblies to posts at height shown, using half clamps and 3/8" x 1 1/8" BHCS w/pin with 3/8" tee nuts. Refer to the Typical Offset Hanger Clamp Spec Sheet.
- Attach angled panel bracket to bottom of panel using 3/8" x 5/8" BHCS w/pin and 3/8" flange nuts w/pin. See Below Deck Mount.
- Attach angled panel bracket with panel to offset hanger assemblies, using 5/8" x 2 1/4" BHCS w/pin. See Below Deck Mount.
- Attach top of panels to offset hanger assemblies, using 3/8" x 3 3/4" BHCS w/pin, spacer tubes and 3/8" flange nuts w/pin. See Below Deck Mount.
- Attach wheels as shown on front & back of sheet 2.
- Install 1/4" x 5/8" drive rivets in all 5" half clamps. Refer to the Typical Offset Hanger Clamp Spec Sheet.
- Install protective surfacing before users are allowed to play on the structure.

**DETAIL  
WHEEL ASSEMBLY**

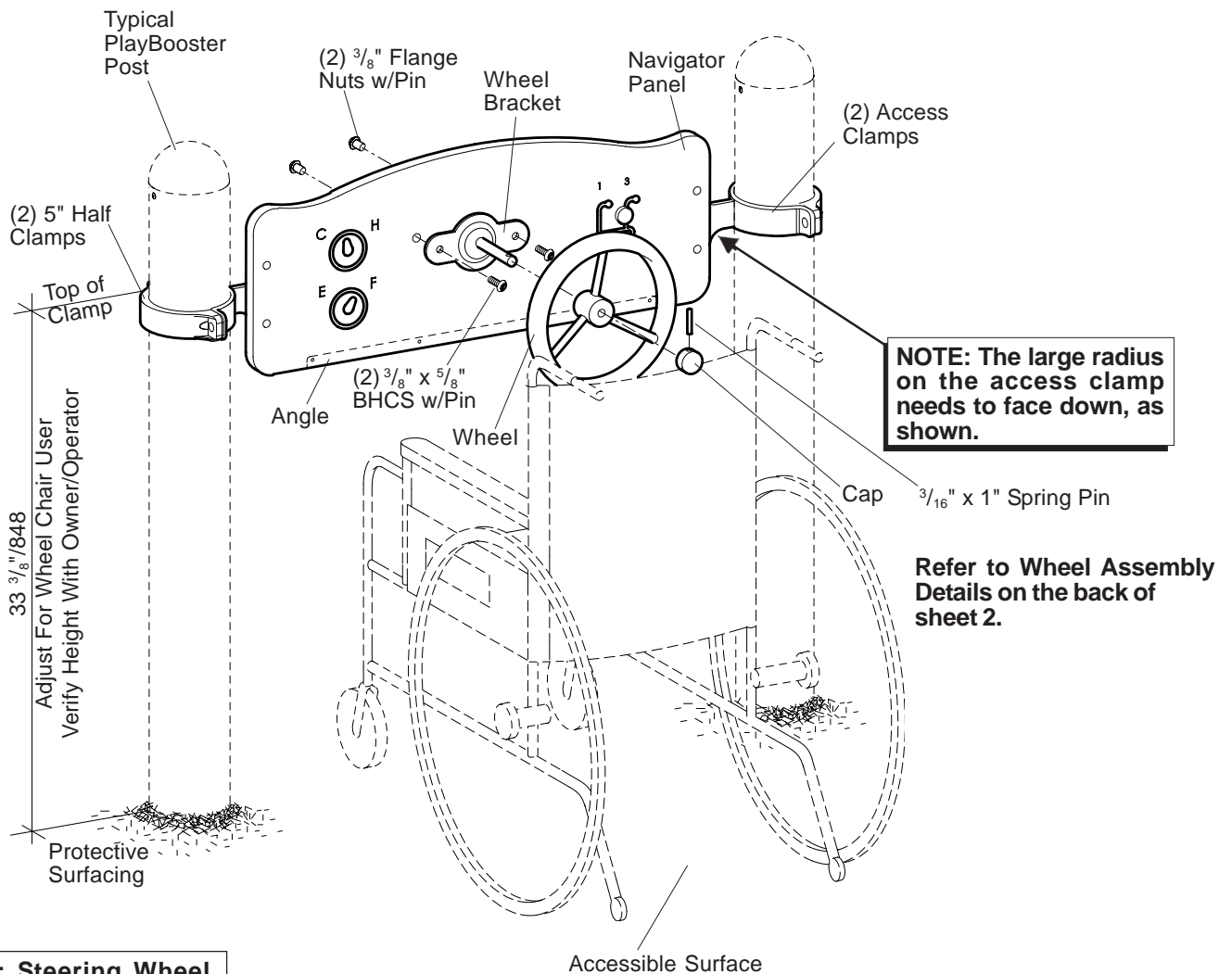


**DETAIL  
SPRING PIN INSERTION  
(CAP BACK VIEW)**



**NOTE:** To assist in the alignment of the cap to the wheel bracket shaft, tap spring pin through cap approximately 1/16". Orient spring pin to groove on wheel bracket shaft. Slide cap in place and tap spring pin through cap and shaft until flush.





**NOTE: The large radius on the access clamp needs to face down, as shown.**

**Refer to Wheel Assembly Details on the back of sheet 2.**

**NOTE: Steering Wheel Infill Panel available. Refer to the Wheel Spec Sheet.**

## Parts List

Part#	Description	Qty.
138085-00	Navigator Panel, Specify Color .....	1
108432-00	Steering Wheel, Specify Color .....	1
127242-00	Steering Wheel Bracket, Specify Color .....	1
127331-00	Angle, Specify Color .....	1
188387-00	Access Clamp, Specify Color .....	2
105327-01	5" Half Clamp, Specify Color .....	2
100610-00	1/4" x 5/8" Drive Rivet, AL/SST .....	2
<b>128172-00</b>	<b>Panel Hardware Package</b> .....	1
100196-00	3/8" x 7/8" BHCS w/Pin, SST .....	8
100351-00	3/8" Tee Nut, SST .....	4
100353-00	3/8" Flange Nut w/Pin, SST .....	4
127463-00	Torx Hex Bit .....	1
127872-00	#14 x 3/4" Torx Screw, SST .....	4
<b>148626-00</b>	<b>Driver Panel Hardware Package</b> .....	1
100195-00	3/8" x 5/8" BHCS w/Pin, SST .....	2
100353-00	3/8" Flange Nut w/Pin, SST .....	2
118452-00	3/16" x 1" Spring Pin, SST .....	1
148623-00	Cap, White .....	1

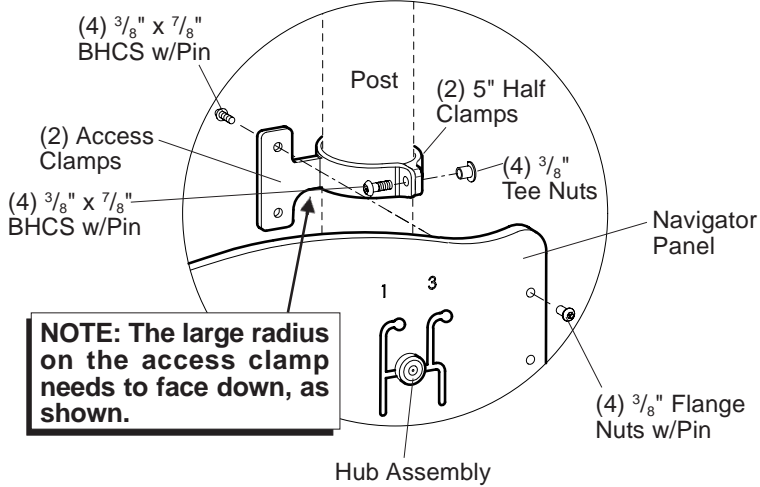
## Specifications

<b>Panel:</b>	Two color Permalene® panel measures 34" wide x 13" high, color specified.
<b>Angle:</b>	Fabricated from formed 11 GA (.120") HRPO sheet steel. Finish: ProShield®, color specified.
<b>Wheel:</b>	12" diameter cast A356 aluminum alloy. Finish: TenderTuff®, color specified.
<b>Wheel Bracket:</b>	Weldment comprised of formed 3/16" plate and 5/8" O.D. stainless steel shaft. Finish: ProShield, color specified.
<b>Access Clamp:</b>	Weldment comprised of 3/8" HRPO steel plate and 1/4" x 1 3/4" wide steel clamp. Finish: ProShield, color specified.
<b>Half Clamp:</b>	Cast aluminum. Finish: ProShield, color specified.
<b>Fasteners:</b>	Primary fasteners shall be socketed and pinned tamperproof in design, stainless steel (SST) per ASTM F 879 unless otherwise indicated (see specific product installation/specifications).
<b>Installation Time:</b>	Approx. 1/2 man hour
<b>Weight:</b>	23 lbs.

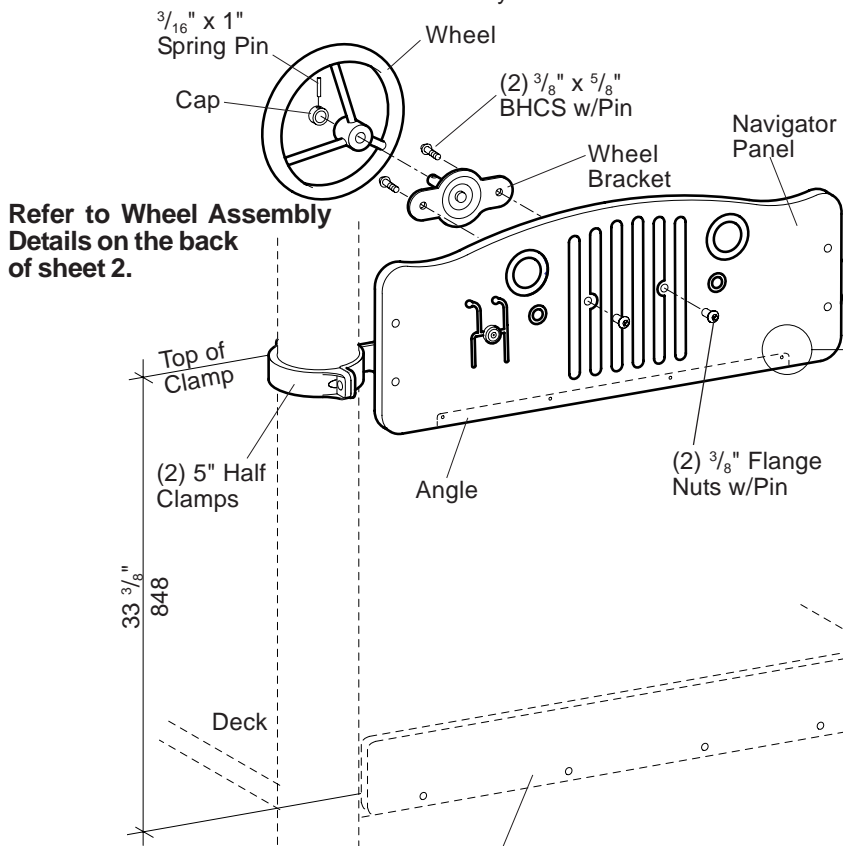
## Installation Instructions

- 1) Attach the angle to the bottom of the panel using #14 x 3/4" torx screws. Refer to the Angle Attachment Detail.
- 2) Attach the access clamps to posts at the height shown, using 5" half clamps, 3/8" x 7/8" BHCS w/pin and 3/8" tee nuts. **NOTE:** *The large radius on the access clamp needs to face down, as shown.*
- 3) Attach panel to access clamps, using 3/8" x 7/8" BHCS w/pin and 3/8" flange nuts w/pin. Refer to the Panel Attachment Detail.
- 4) Attach wheel bracket to panel, using 3/8" x 5/8" BHCS w/pin and 3/8" flange nuts w/pin. Slide wheel and cap onto wheel bracket shaft and tap 3/16" x 1" spring pin through cap and shaft. Refer to Wheel Assembly Details on the back of sheet 2.
- 5) Install 1/4" x 5/8" drive rivets in all 5" half clamps. Refer to the Typical Offset Hanger Clamp Assembly sheet.
- 6) Install protective surfacing before users are allowed to play on the structure.

**DETAIL  
 PANEL ATTACHMENT**

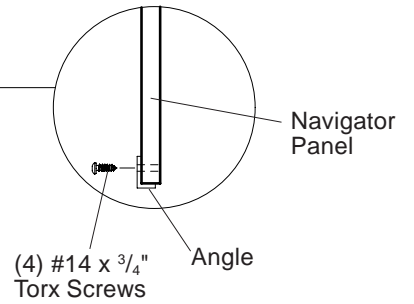


**NOTE: The large radius on the access clamp needs to face down, as shown.**



Refer to Wheel Assembly Details on the back of sheet 2.

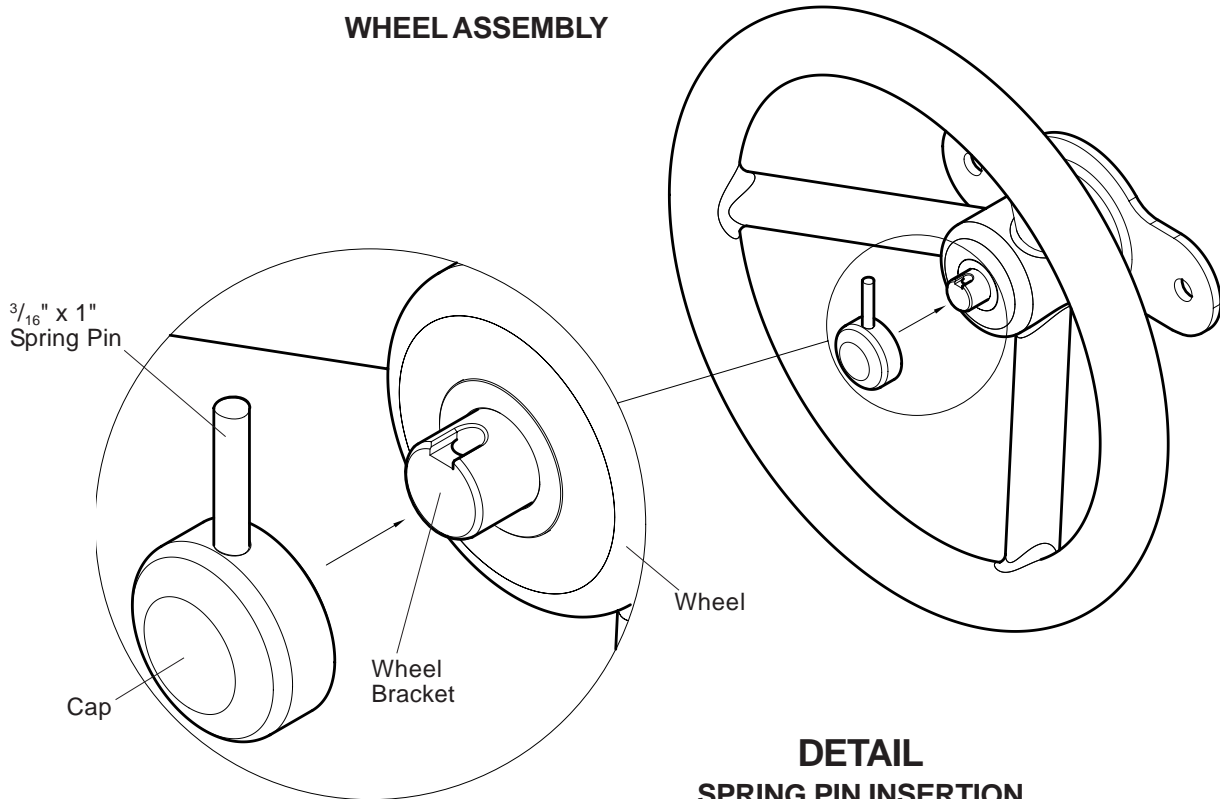
**DETAIL  
 ANGLE ATTACHMENT**



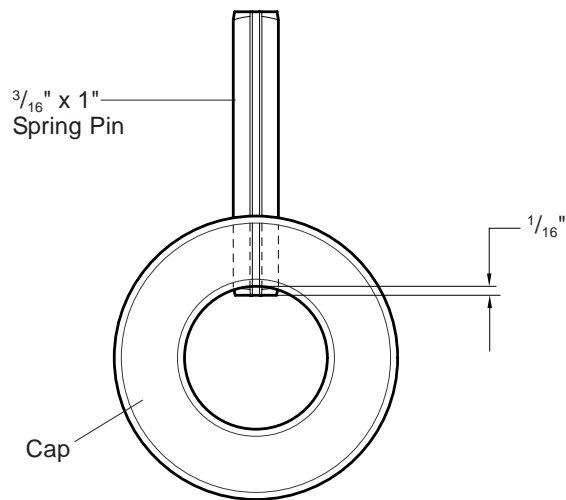
**NOTE: Steering Infill Panel available. Refer to the Wheel Spec Sheet.**

**NOTE: If the Navigator Panel is located on a wheelchair accessible deck, a curb (Model #128623) is required.**

**DETAIL  
 WHEEL ASSEMBLY**

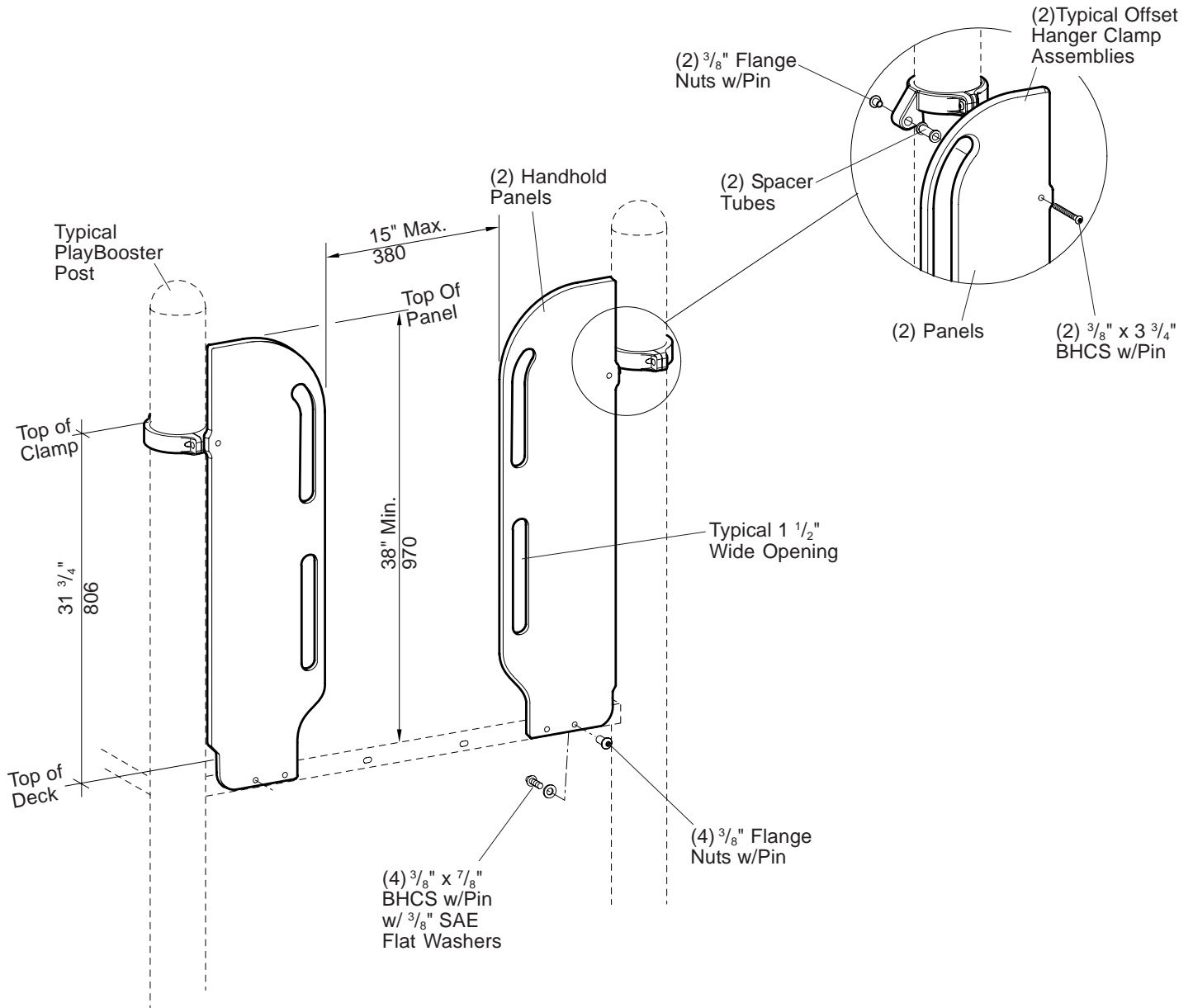


**DETAIL  
 SPRING PIN INSERTION  
 (CAP BACK VIEW)**



**NOTE:** To assist in the alignment of the cap to the wheel bracket shaft, tap spring pin through cap approximately  $\frac{1}{16}$ ". Orient spring pin to groove on wheel bracket shaft. Slide cap in place and tap spring pin through cap and shaft until flush.

**DETAIL  
PANEL ATTACHMENT**



**NOTE: One handhold panel is recommended for 8", 16" and 24" deck heights. For deck heights of 32" and greater, two handhold panels are required.**



J:\SPECS\139\13990000.P65

# PlayBooster® 127953 Handhold Panels

## Parts List

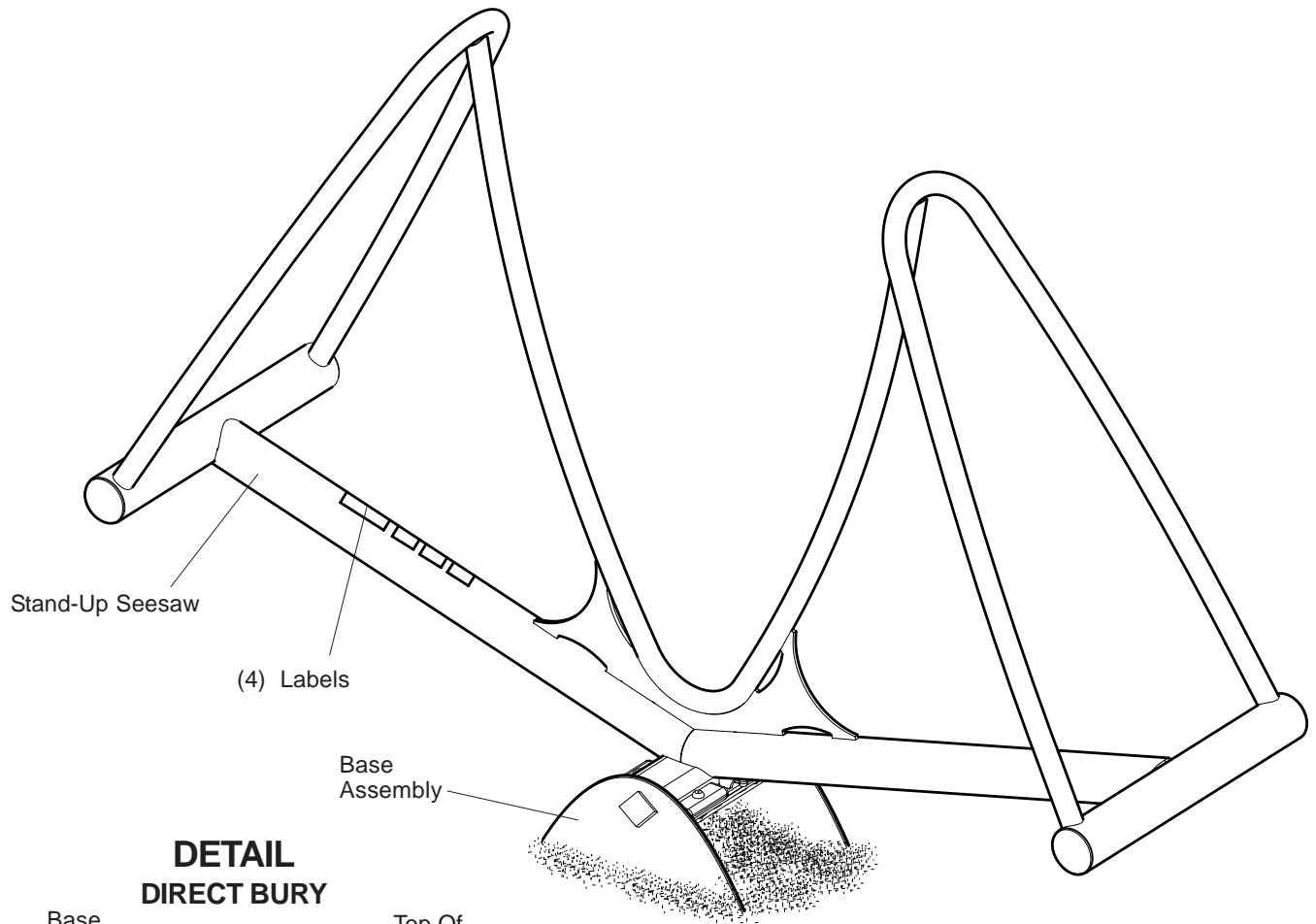
Part#	Description	Qty.
139563-00	Handhold Panel, Specify Color .....	2
105327-01	5" Half Clamp, Specify Color .....	2
113729-00	Offset Hanger Clamp, Specify Color .....	2
113468-00	Spacer Tube, Specify Color .....	2
100610-00	1/4" x 5/8" Drive Rivet, AL/SST .....	2
<b>139861-00</b>	<b>Handhold Hardware Package .....</b>	<b>2</b>
100196-00	3/8" x 7/8" BHCS w/Pin, SST .....	4
100198-00	3/8" x 1 1/8" BHCS w/Pin, SST .....	4
100351-00	3/8" Tee Nut, SST .....	4
100353-00	3/8" Flange Nut w/Pin, SST .....	6
100365-00	3/8" SAE Flat Washer, SST .....	4
124460-00	3/8" x 3 3/4" BHCS w/Pin, SST .....	2

## Specifications

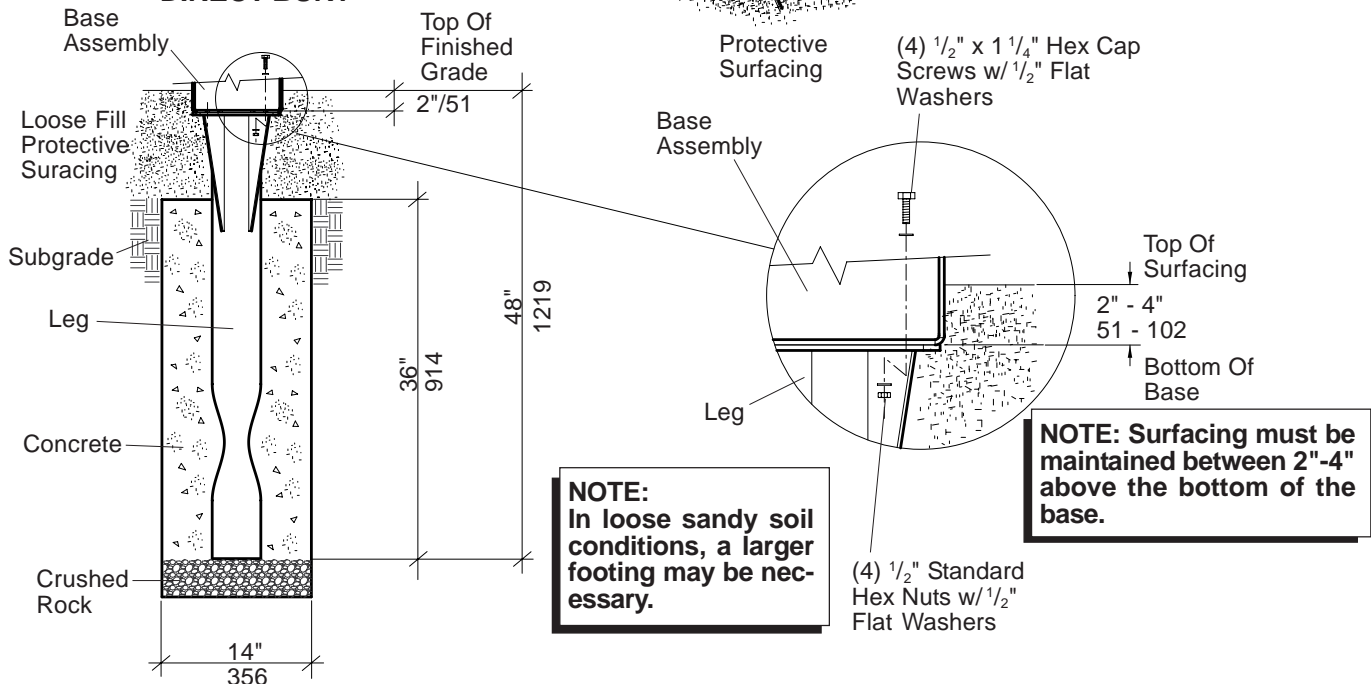
- Handhold Panel:** Solid color Permalene®, color specified.
- Spacer Tube:** Made from 6061-T6 aluminum 7/8" O.D. x 1 1/16". Finish: ProShield®, color specified.
- Offset Hanger Clamp Assembly:** Cast aluminum. Finish: ProShield, color specified.
- Fasteners:** Primary fasteners shall be socketed and pinned tamperproof in design, stainless steel (SST) per ASTM F 879 unless otherwise indicated (see specific product installation/specifications).
- Installation Time:** Approx. 1/2 man hour
- Weight:** 22 lbs.

## Installation Instructions

- 1) Attach handhold panels to the face of the deck using 3/8" x 7/8" BHCS w/pin with 3/8" SAE flat washers and 3/8" flange nuts w/pin.
- 2) Attach offset hanger clamps to post at height shown, using 5" half clamps and 3/8" x 1 1/8" BHCS w/pin with 3/8" tee nuts. Refer To The Typical Offset Hanger Clamp Spec Sheet.
- 3) Attach panels to offset hanger clamp assemblies, using 3/8" x 3 3/4" BHCS w/Pin, spacer tubes and 3/8" flange nuts w/pin. See Panel Attachment Detail.
- 4) Install protective surfacing before users are allowed to play on the structure.



**DETAIL  
DIRECT BURY**



## Parts List

Part#	Description	Qty.
148881-00	Leg, (DB) Specify Color .....	1
<b>149304-00</b>	<b>Stand-Up Seesaw Assembly, Specify Color .....</b>	<b>1</b>
100196-00	<sup>3</sup> / <sub>8</sub> " x <sup>7</sup> / <sub>8</sub> " BHCS w/Pin, SST .....	8
100351-00	<sup>3</sup> / <sub>8</sub> " T-Nut, SST .....	12
113027-00	<sup>3</sup> / <sub>8</sub> " x 1 <sup>3</sup> / <sub>8</sub> " BHCS w/Pin, SST .....	4
128296-00	<sup>3</sup> / <sub>8</sub> " Hex Jam Nut, SST .....	12
147530-00	Pivot Assy., Specify Color .....	1
156257-00	Base Assy., Specify Color .....	1
149173-00	Torsion Half Clamp, Specify Color .....	1
185471-00	<sup>9</sup> / <sub>16</sub> " O.D. Spacer, Aluminum .....	4
156370-00	Bolt Cover, Tan .....	4
149272-00	<sup>3</sup> / <sub>8</sub> " D-Cut Flat Washer, SST .....	8
181001-00	1.125" O.D. 5 <sup>7</sup> / <sub>8</sub> " Lg. Polyurethane Rod .....	4
154164-00	Bushing .....	4
<b>184503-00</b>	<b>Seesaw Leg Hardware Package (DB) .....</b>	<b>1</b>
100216-00	<sup>1</sup> / <sub>2</sub> " x 1 <sup>1</sup> / <sub>4</sub> " Hex Cap Screw, SST .....	4
100363-00	<sup>1</sup> / <sub>2</sub> " Flat Washer, SST .....	8
156847-00	Play Safe Label 5-12 Years .....	1
182213-00	Hot Surface Warning Label .....	1
182212-00	Entanglement Warning Label .....	1
115176-00	Hard Surface Warning Label .....	1
129692-00	<sup>1</sup> / <sub>2</sub> " Standard Hex Nut, SST/Patch .....	4
<b>185403-00</b>	<b>Spring Animal Hardware Package (SM) .....</b>	<b>1</b>
100262-00	<sup>1</sup> / <sub>2</sub> " x 6" L-Anchors .....	4
100322-00	<sup>1</sup> / <sub>2</sub> " Standard Hex Nut, SST .....	4
100363-00	<sup>1</sup> / <sub>2</sub> " Flat Washer, SST .....	4
156847-00	Play Safe Label 5-12 Years .....	1
182213-00	Hot Surface Warning Label .....	1
182212-00	Entanglement Warning Label .....	1
115176-00	Hard Surface Warning Label .....	1

DB = Direct Bury  
SM = Surface Mount

## Specifications

### Stand-Up Seesaw

**Assembly:** (Pivot Assembly) Weldment comprised of 1.315" O.D. RS20 (.080"-.090" wall) galvanized steel tube, 2.875" O.D. RS40 (.160"-.170" wall) galvanized steel tube, 12 Ga. (.105") sheet HRPO steel and <sup>1</sup>/<sub>4</sub>" sheet HRPO steel. Finish: ProShield®, color specified.

(Base Assembly) Weldment comprised of <sup>1</sup>/<sub>4</sub>" sheet HRPO steel and 2" SQ. HR steel bar. Finish: ProShield, color specified.

(Torsion Half Clamp) Fabricated from <sup>1</sup>/<sub>4</sub>" sheet HRPO steel. Finish: ProShield, color specified.

(Polyurethane Rod) 1.125" O.D..

(Bolt Covers) ABS Polymer Thermoplastic, Tan in color.

(Bushings) Plastic (UHMW), Black in color.

**Leg:** Weldment comprised of 5.000" O.D. x 11 Ga. (.120") galvanized steel tube, <sup>1</sup>/<sub>4</sub>" sheet HRPO steel and <sup>3</sup>/<sub>16</sub>" sheet HRPO steel. Finish: ProShield, color specified.

**Fasteners:** Primary fasteners shall be socketed and pinned tamperproof in design, stainless steel (SST) per ASTM F 879 unless otherwise indicated (see specific product installation/specifications).

**Installation Time:** DB - Approx. 2 man hours  
SM - Approx. 2 man hours

**Concrete Req.:** DB - Approx. 3 cu. ft.  
SM - Approx. 1.5 cu. ft. (existing concrete slab)

**Weight:** DB - 151 lbs.  
SM - 115 lbs.

**Area Required:** 15' 10" x 20' 1" (4,80 m) x (6,10 m)  
**Fall Height:** 27" (700 mm)

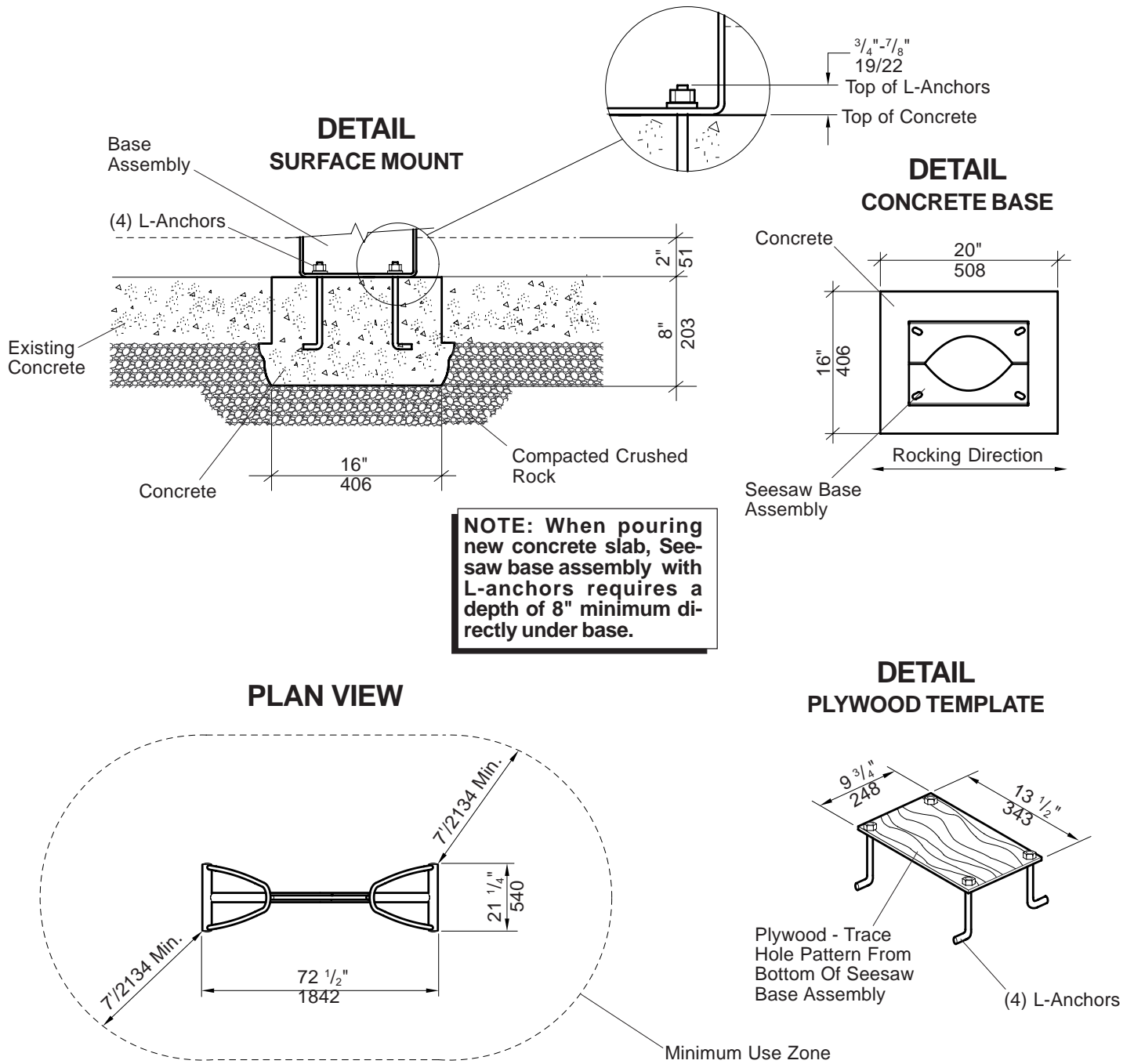
## Installation Instructions

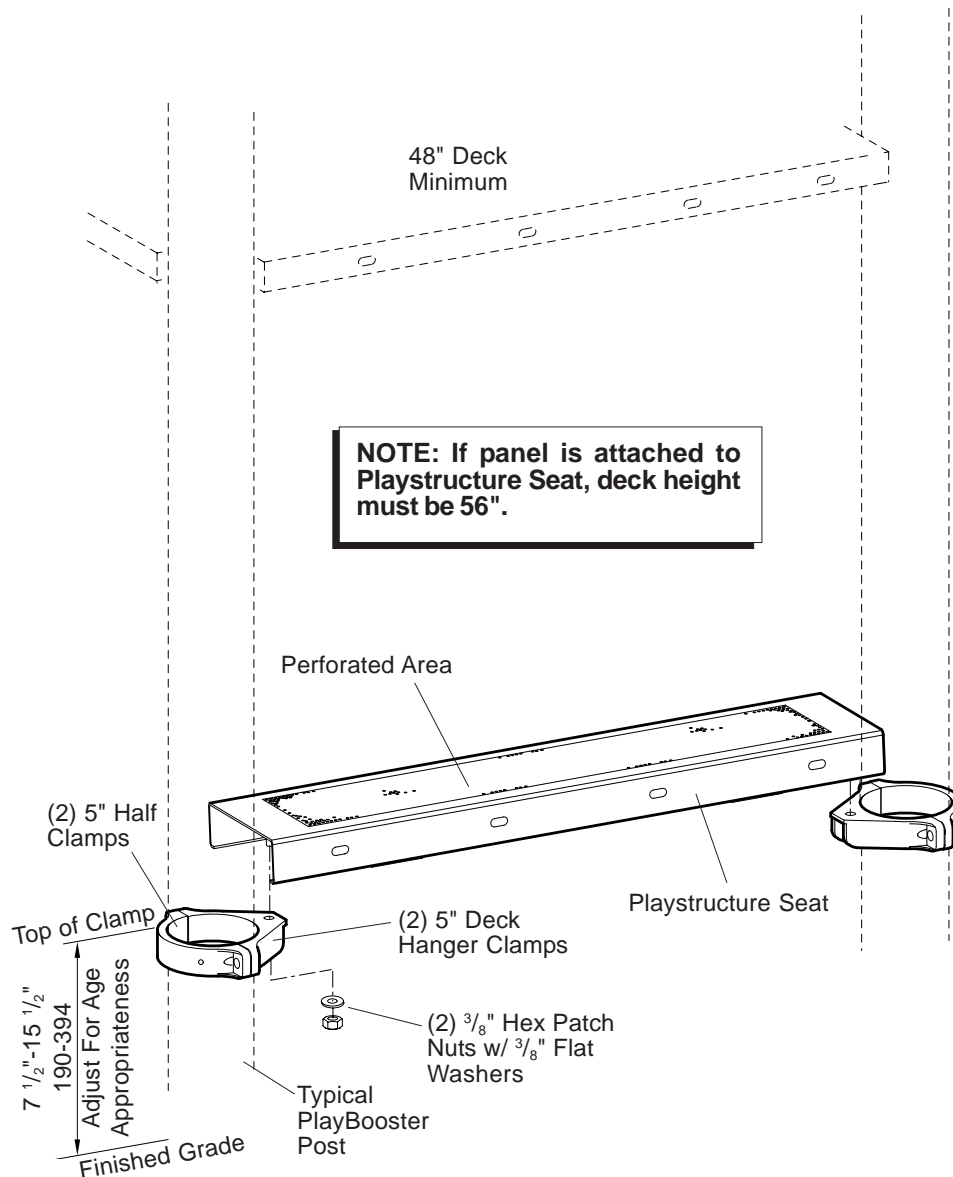
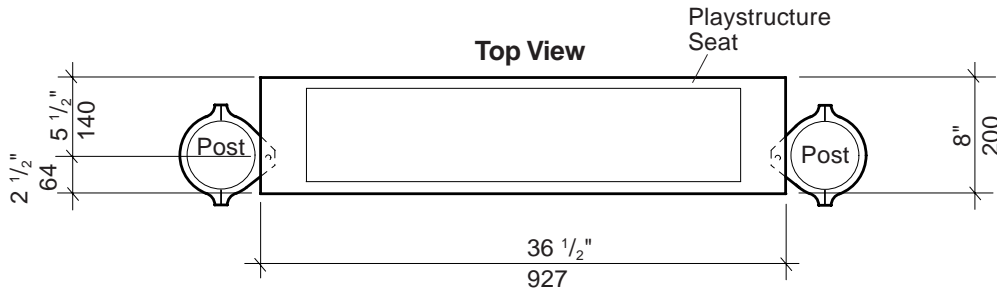
- (Direct Bury)** Dig footing to depth as shown. Refer to the Direct Bury Detail.
- Lay Stand-Up Seesaw on its side and attach leg using <sup>1</sup>/<sub>2</sub>" x 1 <sup>1</sup>/<sub>4</sub>" hex cap screws with <sup>1</sup>/<sub>2</sub>" flat washers and <sup>1</sup>/<sub>2</sub>" standard hex nuts with <sup>1</sup>/<sub>2</sub>" flat washers.
- Lift Stand-Up Seesaw upright and place leg in footing hole. With Stand-Up Seesaw plumb pour concrete footing. Allow concrete footing to cure for a minimum of 72 hours before users are allowed to play on the structure.
- Apply Play Safe and Warning Labels, as shown.
- Install protective surfacing 2" - 4" above bottom of base assembly before users are allowed to play on the component.

- (Surface Mount)** Cut a rectangular hole in existing concrete to size as shown. After existing concrete has been removed, dig down deep enough to allow for compacted crushed rock and 8" of concrete. Refer to the Surface Mount and Concrete Base Details. **NOTE:** When pouring new concrete slab, Seesaw base assembly with L-anchors requires a depth of 8" minimum directly under base.

- Lay seesaw on its side. Using the base assembly as a pattern, make a plywood template for L-anchor placement and fasten L-anchors to template. Allow <sup>3</sup>/<sub>4</sub>" - <sup>7</sup>/<sub>8</sub>" of thread to protrude from template.
- Pour concrete in footing hole and lay template on surface of concrete. Push L-anchors into concrete and level plywood template. Allow concrete to cure for 72 hours before removing template. Refer to the Plywood Template Detail.
- Lift Seesaw assembly upright and place over L-anchors. Fasten Seesaw assembly to L-anchors using <sup>1</sup>/<sub>2</sub>" standard hex nuts with <sup>1</sup>/<sub>2</sub>" flat washers.
- Apply Play Safe and Warning Labels, as shown.
- Install protective surfacing 2" - 4" above bottom of base assembly before users are allowed to play on the component.









J:\SPECS\173\17398100.P65

# PlayBooster® 120818 Playstructure Seat

## Parts List

Part#	Description	Qty.
153952-00	Playstructure Seat, Specify Color .....	1
105327-01	5" Half Clamp, Specify Color .....	2
106022-00	5" Deck Hanger Clamp, Specify Color .....	2
<b>106676-00</b>	<b>Seat Hardware Package</b> .....	1
100198-00	$\frac{3}{8}$ " x 1 $\frac{1}{8}$ " BHCS w/Pin, SST .....	4
100321-00	$\frac{3}{8}$ " Hex Patch Nut, SST .....	2
100351-00	$\frac{3}{8}$ " Tee Nut, SST .....	4
100362-00	$\frac{3}{8}$ " Flat Washer, SST .....	2
100610-00	$\frac{1}{4}$ " x $\frac{5}{8}$ " Drive Rivet, AL/SST .....	2

## Specifications

**Seat:** Flange formed from 11 GA (.120") sheet steel. Seating surface is perforated with  $\frac{5}{16}$ " diameter holes. Finish: TenderTuff™, color specified.

**Deck Hanger Clamp Assembly:** Cast aluminum. Finish: ProShield®, color specified.

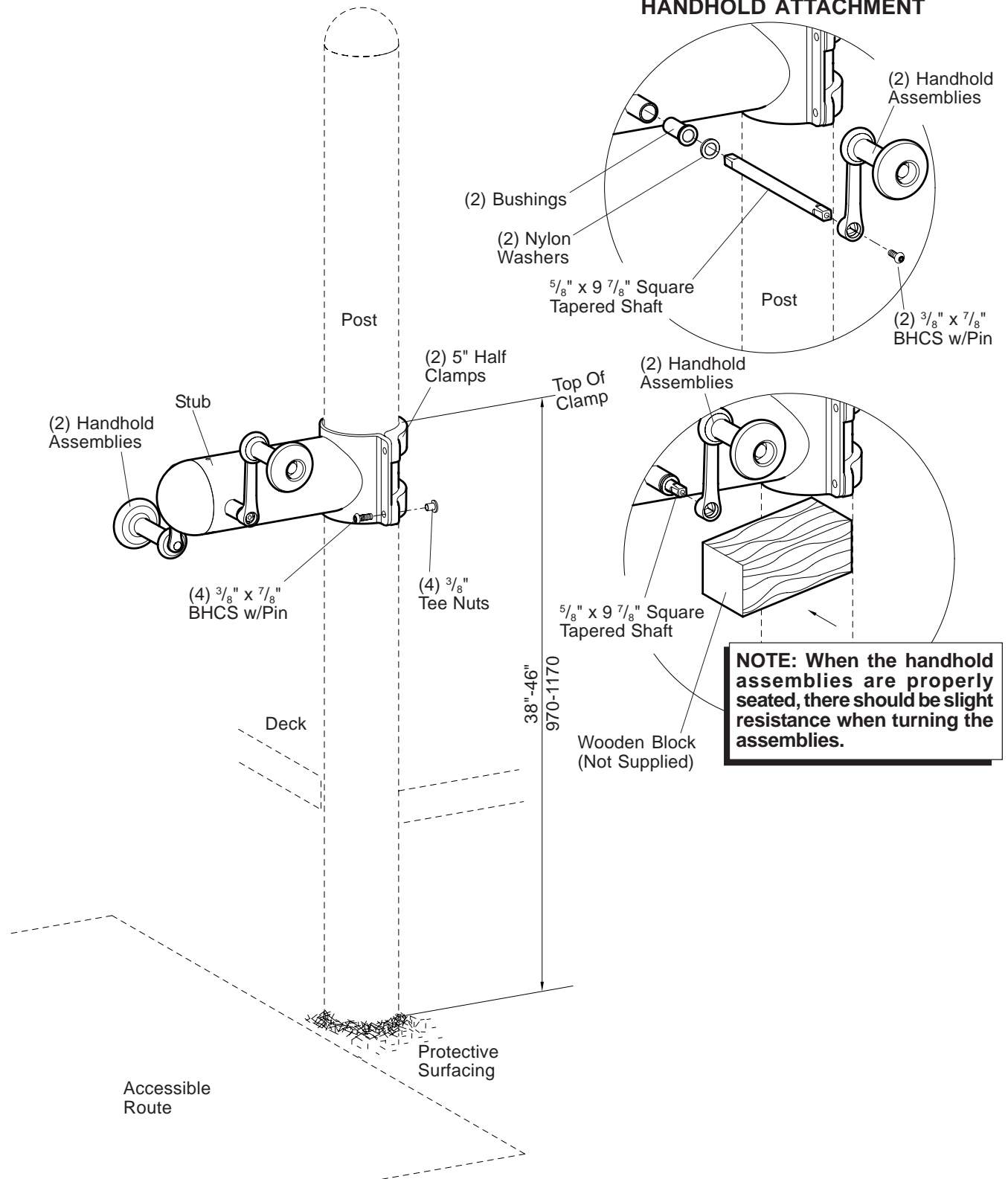
**Fasteners:** Primary fasteners shall be socketed and pinned tamperproof in design, stainless steel (SST) per ASTM F 879 unless otherwise indicated (see specific product installation/specifications).

**Installation Time:** Approx. 1 man hour  
**Weight:** 26 lbs.

## Installation Instructions

- 1) Playstructure seat attaches offset to posts. Refer to your site layout for where and which direction the playstructure seat needs to be installed. **NOTE:** *If panel is attached to Playstructure Seat, deck height must be 56".*
- 2) Mark posts for the appropriate height of the playstructure seat you are installing. **NOTE:** *Height is adjustable 8"-16".*
- 3) Fasten 5" deck hanger clamps to the marked position on posts using 5" half clamps and  $\frac{3}{8}$ " x 1  $\frac{1}{8}$ " BHCS w/pin with  $\frac{3}{8}$ " tee nuts. Refer to the Typical Offset Hanger Clamp Spec Sheet.
- 4) Position seat over 5" deck hanger clamps and attach using  $\frac{3}{8}$ " hex patch nuts with  $\frac{3}{8}$ " flat washers, as shown.
- 5) Install  $\frac{1}{4}$ " x  $\frac{5}{8}$ " drive rivets in all 5" half clamps. Refer to the Typical Offset Hanger Clamp Spec Sheet.
- 6) Install protective surfacing before users are allowed to play on the structure.

**DETAIL  
HANDHOLD ATTACHMENT**



**PlayBooster® 153165 Stationary Cyclor, Accessible**

601 7TH STREET SOUTH, DELANO, MINNESOTA 55328-8605 (763) 972-3391 1-888-LSI-INST (1-888-574-4678) FAX (763) 972-3185



J:\SPECS\160\16057500.P65

# PlayBooster® 153165 Stationary Cycler, Accessible

## Parts List

Part#	Description	Qty.
100610-00	1/4" x 5/8" Drive Rivet, AL/SST .....	2
105327-01	5" Half Clamp, Specify Color .....	2
160567-00	5/8" x 9 7/8" Tapered Shaft .....	1
153101-00	Stub, Specify Color .....	1
<b>153972-00</b>	<b>Handhold Assembly</b> .....	<b>2</b>
152231-00	Handhold, Black .....	2
153577-00	Handle Crank Weldment, Specify Color .....	2
153714-00	Retaining Ring .....	2
<b>160570-00</b>	<b>Stationary Cycler Acc. Hardware Package</b> .....	<b>1</b>
100196-00	3/8" x 7/8" BHCS w/Pin, SST .....	6
100351-00	3/8" T-Nut, SST .....	4
151036-00	Bushing, Oilite .....	2
156037-00	Nylon Washer .....	2

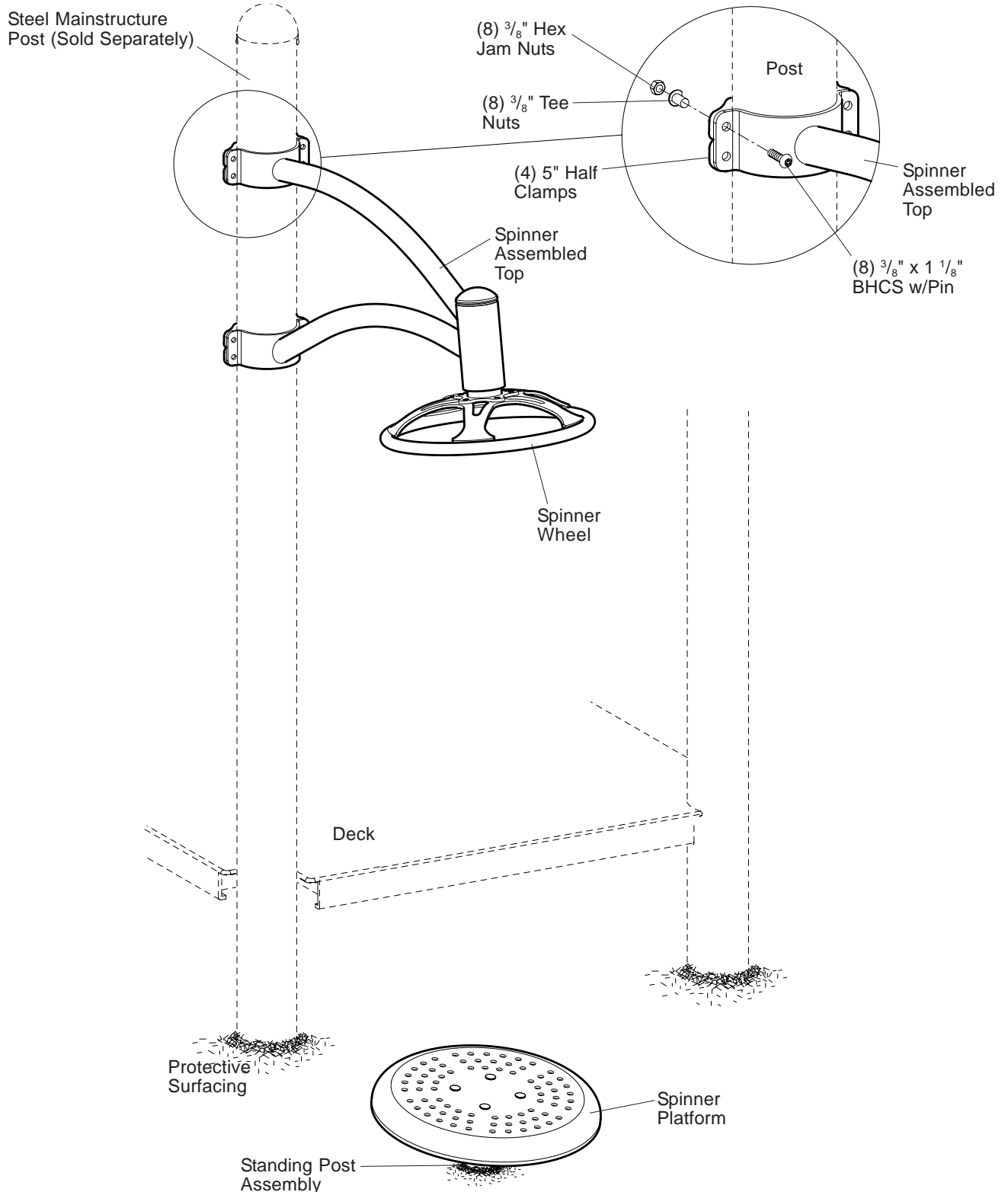
## Specifications

<b>Handhold:</b>	Handhold fabricated from high density polyethylene, black in color.
<b>Handhold Crank:</b>	Weldment comprised of 3/4" O.D. stainless steel shaft and forged carbon steel.
<b>Stub:</b>	Weldment comprised of 5.000" O.D. x 11 Ga. (.120") steel tube, 1/4" x 6" HRPO flat steel and 1.063" O.D. 1018 steel shaft housing. Finish: ProShield®, color specified.
<b>Shaft:</b>	.625" O.D. stainless steel.
<b>Clamps:</b>	Cast aluminum. Finish: ProShield, color specified.
<b>Fasteners:</b>	Primary fasteners shall be socketed and pinned tamperproof in design, stainless steel (SST) per ASTM F 879 unless otherwise indicated (see specific product installation/specifications).
<b>Installation Time:</b>	Approx. 1/4 man hour
<b>Weight:</b>	22 lbs.

## Installation Instructions

- 1) Attach stub to post at height shown using 5" half clamps, 3/8" x 7/8" BHCS w/pin and 3/8" tee nuts, as shown.
- 2) Position handhold assemblies onto square tapered shaft with bushings and nylon washers as shown on illustration. Using a rubber mallet and block of wood, not supplied, (to protect the painted surface of the assemblies) to properly seat the handhold assemblies onto tapered shaft. **NOTE:** *When the handhold assemblies are properly seated, there should be slight resistance when turning the assemblies.* Once the handhold assemblies are seated properly, assemble the 3/8" x 7/8" BHCS w/pin and tighten to approximately 25 ft/lbs. of torque.
- 3) Install 1/4" x 5/8" drive rivets in all 5" half clamps. Refer to the Typical Offset Hanger Clamp Spec Sheet.

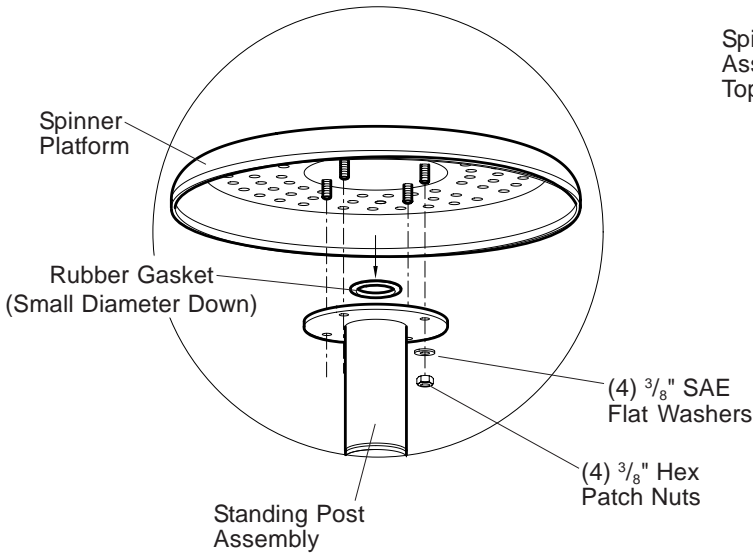
**DETAIL**  
**SPINNER ASSEMBLED TOP ATTACHMENT**



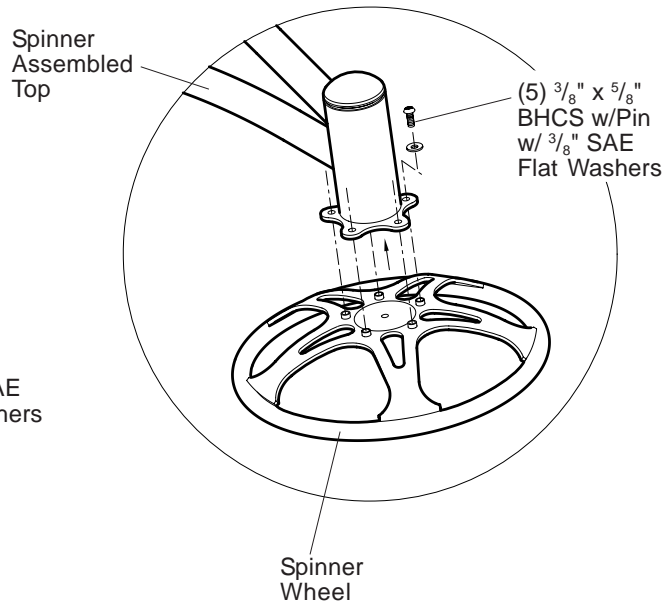
**SAFETY NOTE**  
 Choose a protective surfacing material that has a Critical Height Value of at least the height of the Highest Accessible Part/Fall Height of the adjacent equipment. (Ref. ASTM F1487.)

154260a0

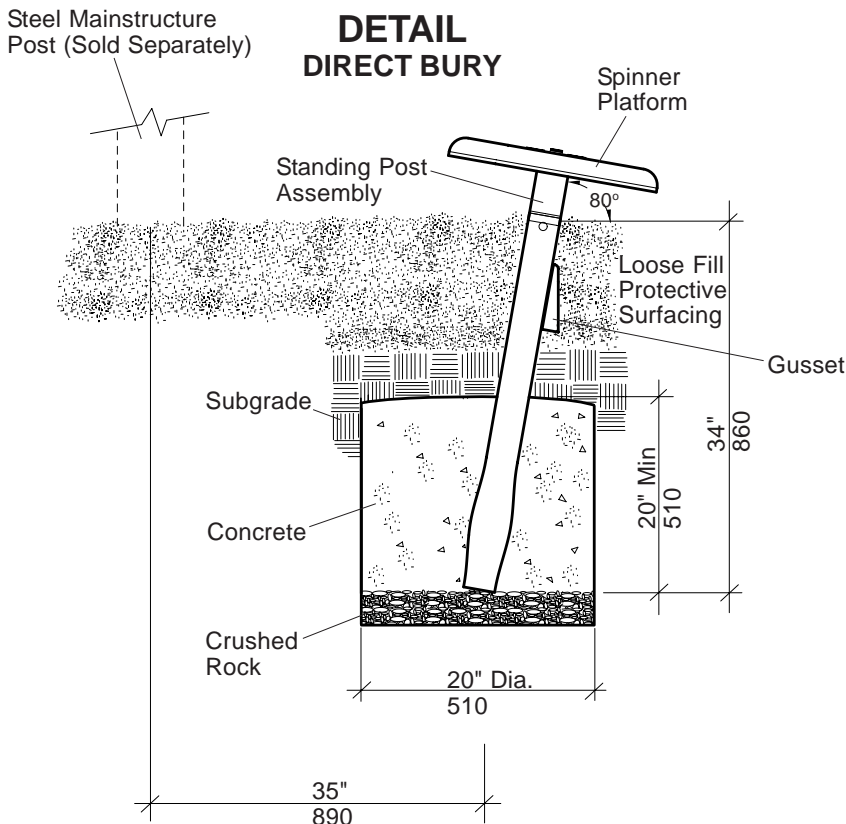
**DETAIL  
SPINNER PLATFORM  
ATTACHMENT**



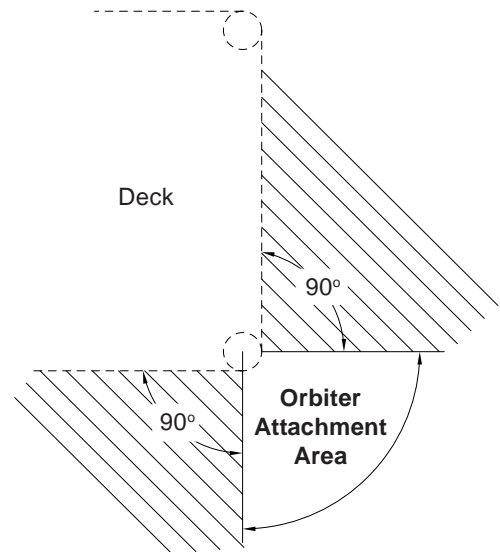
**DETAIL  
SPINNER WHEEL  
ATTACHMENT**



**DETAIL  
DIRECT BURY**

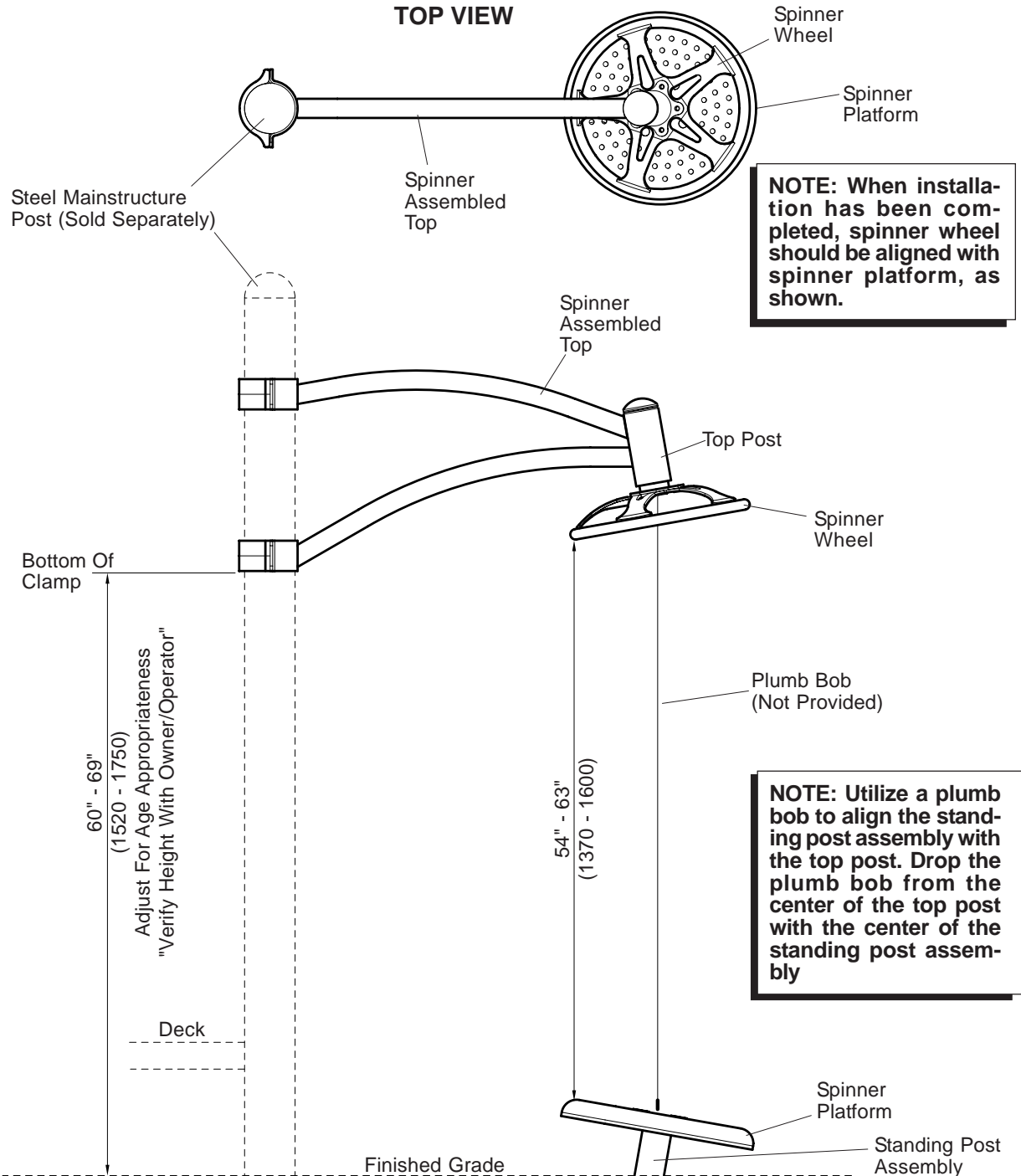


**DETAIL  
PLAN VIEW**



**NOTE: Orbiter needs to be attached a minimum of 90° from center of post to face of mainstructure deck.**

**DETAIL  
TOP VIEW**





## Parts List

Part#	Description	Qty.
100610-00	1/4" x 3/8" Drive Rivet, AL/SST	4
105327-01	5" Half Clamp, Specify Color	4
152298-00	Spinner Wheel, Specify Color	1
152371-00	Spinner Assembled Top, Specify Color	1
167499-00	Standing Post Assembly, Specify Color	1
154213-00	Spinner Platform, Specify Color	1
<b>154259-00</b>	<b>Orbiter Spinner Hardware Package</b>	<b>1</b>
100195-00	3/8" x 5/8" BHCS w/Pin, SST	5
100198-00	3/8" x 1 1/8" BHCS w/Pin, SST	8
100321-00	3/8" Hex Patch Nut, SST	4
100351-00	3/8" Tee Nut, SST	8
100365-00	3/8" SAE Flat Washer, SST	9
156847-00	Play Safe Label, 5-12 Years	1
127935-00	Rubber Gasket	1
128296-00	3/8" Hex Jam Nut, SST	8

## Specifications

### Spinner

**Assembled Top:** (Upper Assembly) Weldment comprised of 1/4" x 3" HRPO flat steel, 1.900" O.D. RS40 (.120"-.130" wall) galvanized steel tube, 3.500" O.D. RS20 (.125" wall) galvanized steel tube and 1.125" O.D. steel shaft. Finish: ProShield®, color specified. (Sleeve/Plate) Weldment comprised of 1/4" sheet HRPO steel and 2.875" O.D. schedule 80 steel tubing. Finish: ProShield, color specified.

**Standing Post Assy:** (Spinner Post) Weldment comprised of 2.875" O.D. RS40 (.160"-.170" wall) galvanized steel tubing, 1.125" O.D. steel shaft, 12 Ga. (.105") HR flat steel, and 1141 or 1144 steel collar. Finish: ProShield, color specified. (Sleeve/Plate) Weldment comprised of 1/4" sheet HRPO steel and 2.875" O.D. schedule 80 steel tubing. Finish: ProShield, color specified.

**Rubber Gasket:** Made from 50 durometer neoprene.

**Spinner Platform:** Comprised of 7 GA. (.179") HRPO flat steel and 3/8"-16 x 1" weld studs. Standing surface is perforated with 3/8" diameter holes. Finish: TenderTuff™, color specified.

**Spinner Wheel:** Weldment comprised of 1.029" O.D. RS20 (.070"-.080" wall) galvanized steel tube, 1/4" HRPO flat steel and 3/8" flange weld nuts. Finish: TenderTuff, color specified.

**Clamp:** Cast aluminum. Finish: ProShield, color specified.

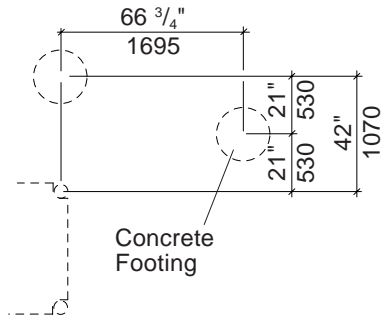
**Fasteners:** Primary fasteners shall be socketed and pinned tamperproof in design, stainless steel (SST) per ASTM F 879 unless otherwise indicated (see specific product installation/specifications).

**Installation Time:** 1 1/2 man hours  
**Weight:** 95 lbs.  
**Concrete:** Approx. 3 1/2 cu. ft.  
**Fall Height:** 9" (230 mm)

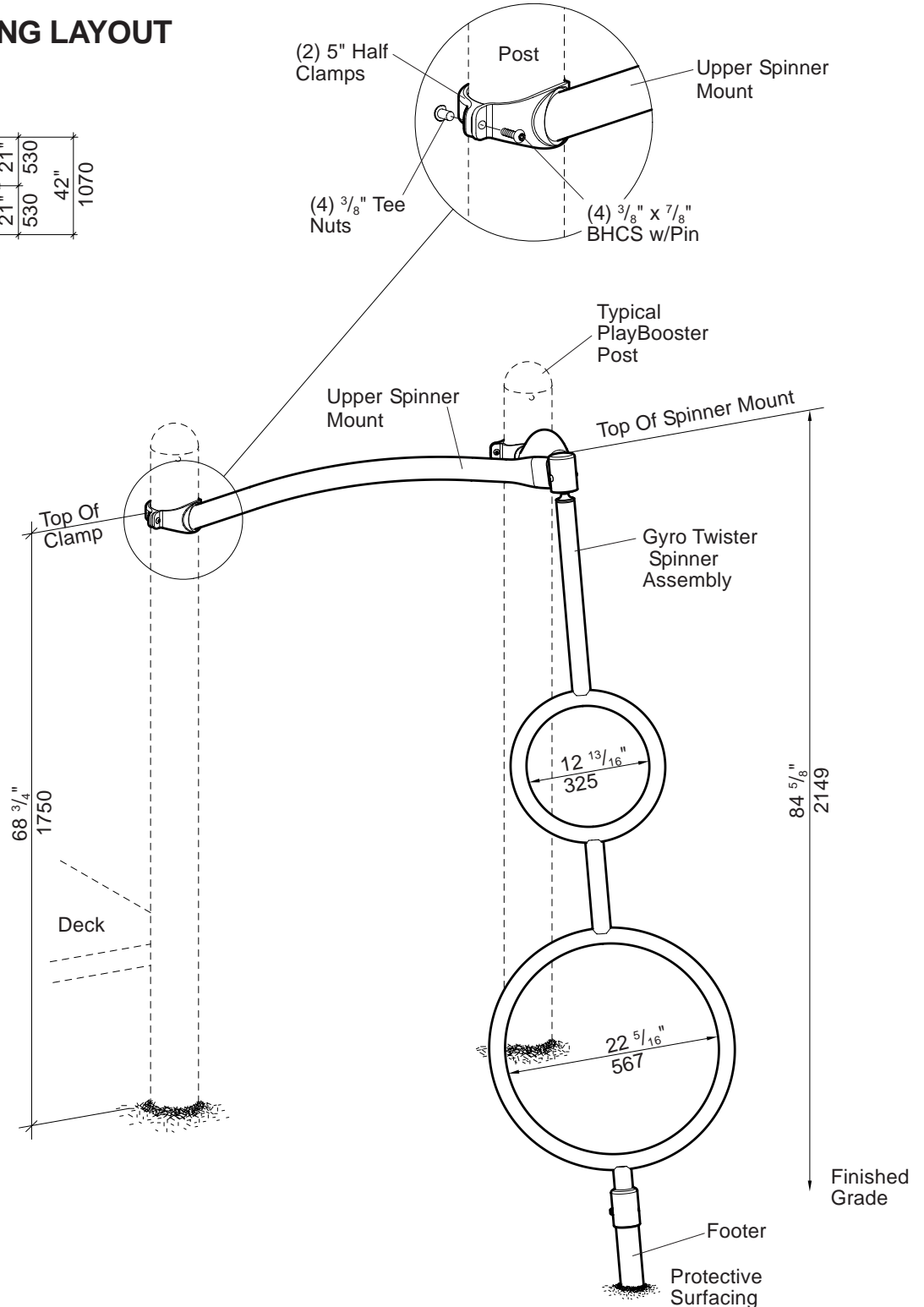
## Installation Instructions

- 1) Dig footing as shown. Refer to the Direct Bury Detail. **NOTE:** Orbiter needs to be attached a minimum of 90° from center of post to face of mainstructure deck. Refer to the Plan View Detail.
- 2) Attach spinner assembled top to mainstructure post at height shown, using 5" half clamps, 3/8" x 1 1/8" BHCS w/pin and 3/8" tee nuts with 3/8" hex jam nuts. Refer to the Spinner Assembled Top Attachment Detail.
- 3) Place standing post assembly in footing hole. Utilize a plumb bob to align the standing post assembly with the top post. Drop the plumb bob from the center of the top post with the center of the standing post assembly. Place a level on the standing post assembly gusset, when gusset is plumb pour concrete footing. Allow concrete footing to cure a minimum of 72 hours before users are allowed to play on structure. **NOTE:** Standing post assembly will have to be propped in position until concrete has cured.
- 4) Install 1/4" x 5/8" drive rivets in all 5" half clamps. Refer to the Typical Offset Hanger Clamp Spec Sheet.
- 5) Attach spinner platform and rubber gasket to standing post assembly using 3/8" hex patch nuts and 3/8" SAE flat washers. Refer to the Spinner Platform Attachment Detail. **NOTE:** Install Rubber Gasket with small diameter down.
- 6) Attach spinner wheel to spinner assembled top using 3/8" x 5/8" BHCS w/pin and 3/8" SAE flat washers. Refer to the Spinner Wheel Attachment Detail.
- 7) Install protective surfacing before users are allowed to play on the structure.

**PLAN VIEW/FOOTING LAYOUT**



**DETAIL**  
**UPPER SPINNER MOUNT ATTACHMENT**





J:\INSTSPEC\SPEC\187\18757700.P65

# PlayBooster® 178745 Gyro Twister® Spinner

## Parts List

Part#	Description	Qty.
100610-00	1/4" x 5/8" Drive Rivet, AL/SST	2
105327-01	5" Half Clamp, Specify Color	2
171114-00	Gyro Twister Spinner Assembly, Specify Color	1
157092-00	Footer, (DB), Specify Color	*
160514-00	Gyro Twister Post, (SM), Specify Color	*
186027-00	Spinner UHMW Bushing	4
159979-00	Upper Spinner Mount, Specify Color	1
<b>160502-00</b>	<b>Gyro Twister Hardware Package</b>	1
100196-00	3/8" x 7/8" BHCS w/Pin, SST	4
100351-00	3/8" T-Nuts, SST	4
131849-00	5/16" x 1/2" BHCS w/Pin, SST	4
<b>121348-00</b>	<b>4-Hole (SM) Hardware Package</b>	1
100266-00	1/2" x 2 3/4" Expansion Anchor	4
100322-00	1/2" Standard Hex Nut, SST	4
100363-00	1/2" Flat Washer, SST	4

DB = Direct Bury

SM = Surface Mount

\* = Determined By Your Order

## Specifications

### Upper Spinner

**Mount:** Weldment comprised of 2.375" (60,33 mm) O.D. RS40 (.130"-.140") ( 3,30 mm - 3,55 mm) wall galvanized steel tube, 2.750" (69,85 mm) O.D. 1018 steel, and 1/4" (6,35 mm) HRPO flat steel. Finish: ProShield®, color specified.

### Gyro Twister Spinner Assy.:

Weldment comprised of 1.900" (48,26 mm) O.D. RS40 (.130"-.140") ( 3,30 mm - 3,55 mm) wall galvanized steel tube, 1.660" (42,16 mm) O.D. RS40 (.111"-.121") (2,82 mm-3,07 mm) galvanized steel tube, 3/16" (4,75 mm) HRPO steel plate and 1 7/8" (47,63 mm) steel ball. Finish: ProShield, color specified.

**Bushing:** Oil-filled UHMW PE.

**Footer:** Weldment comprised of 2.375" (60,33 mm) O.D. RS40 (.130"-.140") ( 3,30 mm - 3,55 mm) wall galvanized steel tube, 12 Ga. (.105") (2,67 mm) HR flat steel and 1 7/8" (47,63 mm) steel ball. Finish: ProShield, color specified.

**Fasteners:** Primary fasteners shall be socketed and pinned tamperproof in design, stainless steel (SST) per ASTM F 879 unless otherwise indicated (see specific product installation/specifications).

**Installation Time:** (DB) Approx. 1 3/4 man hours  
(SM) Approx. 1 1/2 man hours

**Concrete Req.:** (DB) Approx. 2.94 cu. ft.

**Min. Use Zone:** 6' (1830 mm) minimum use zone

**Weight:** (DB) 84 lbs.  
(SM) 80 lbs.

**Fall Height:** 50" (1270 mm)

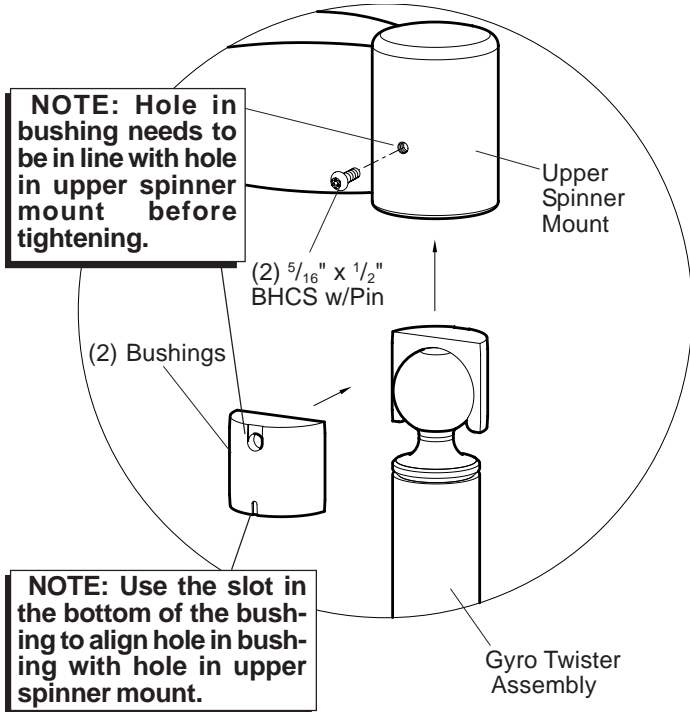
## Installation Instructions

- 1) **(Direct Bury)** Dig footing as shown. Refer to the Plan View Footing Layout and Footer Attachment Detail.
- 2) Attach upper spinner mount to posts at height shown, using 5" half clamps, 3/8" x 7/8" BHCS w/pin and 3/8" tee nuts. Refer to the Upper Spinner Mount Attachment Detail.
- 3) Place a bushing on each side of the footer's/twist post's 1 7/8" ball, as shown. Insert footer/twist post with bushings into Gyro Twister assembly. Align holes in bushings with holes in housing. When holes are aligned, insert 5/16" x 1/2" BHCS w/pin. Refer to the Gyro Twister Assembly Detail. **NOTE:** Use the slot in the bottom of the bushing to align holes.
- 4) Place a bushing on each side of the Gyro Twister assemblies 1 7/8" ball, as shown. Insert Gyro Twister assembly with bushings into upper spinner mount. Align holes in bushings with holes in housing. When holes are aligned, insert 5/16" x 1/2" BHCS w/pin. Refer to the Gyro Twister Assembly Detail. **NOTE:** Use the slot in the bottom of the bushing to align holes.
- 5) **(Direct Bury)** Place a level on the footer gusset, when gusset is plumb, pour concrete footing. Allow concrete footing to cure a minimum of 72 hours before users are allowed to play on structure. **NOTE:** Gyro Twister assembly will have to be propped in position, until concrete has cured.  
**(Surface Mount)** Drill 1/2" x 3" deep holes through twist post plate using hammer drill and 1/2" masonry bit. Tap expansion anchors into drilled holes. Fasten twist post to expansion anchors using 1/2" standard hex nuts with 1/2" flat washers.
- 6) Install 1/4" x 5/8" drive rivets in 5" half clamps. Drill through hole in half clamp and into 5" post with a 1/4" or "F" (only) drill bit, insert rivet in hole and hammer rivet pin in until it is flush with head.
- 7) Install protective surfacing before users are allowed to play on the structure.

**SAFETY NOTE**  
 Choose a protective surfacing material that has a Critical Height Value of at least the height of the Highest Accessible Part/Fall Height of the adjacent equipment. (Ref. ASTM F1487.)

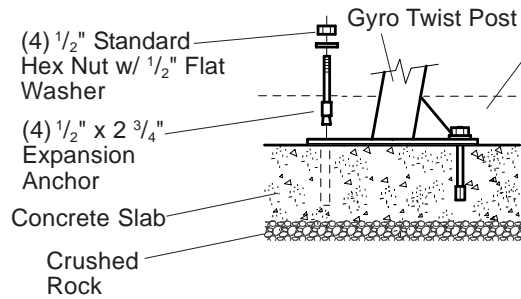
178242a

**DETAIL**  
**GYRO TWISTER SPINNER ASSEMBLY**

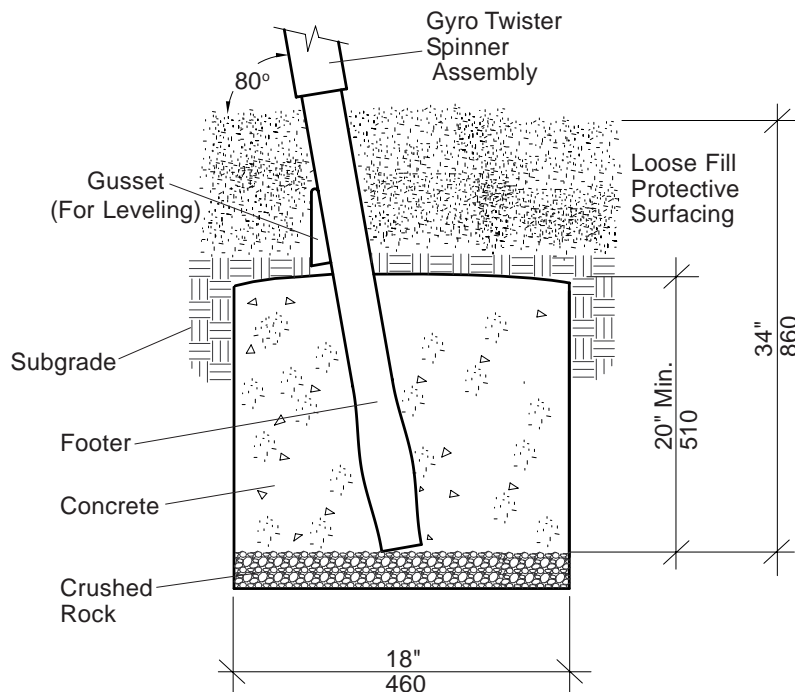


**NOTE: Sufficient protective surfacing must cover hardware to satisfy fall height requirements.**

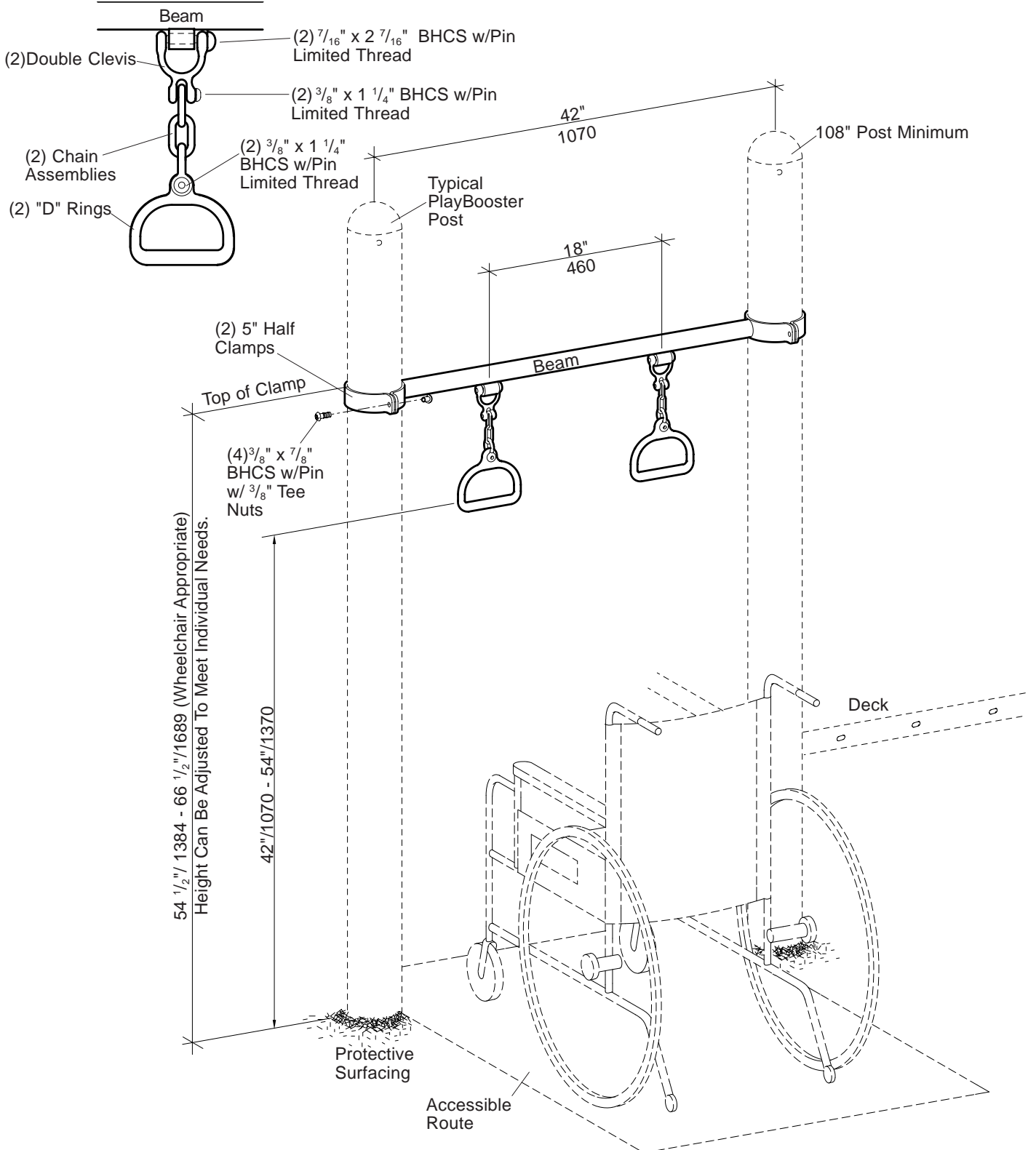
**DETAIL**  
**SURFACE MOUNT**



**DETAIL**  
**FOOTER ATTACHMENT**



**DETAIL**



**PlayBooster®**

**130873 Ring Pull**

601 7TH STREET SOUTH, DELANO, MINNESOTA 55328-8605 (763) 972-3391 1-888-LSI-INST (1-888-574-4678) FAX (763) 972-3185

© 2004 by Landscape Structures. All rights reserved.

Document #14679600

## Parts List

Part#	Description	Qty.
130843-00	Ring Pull Beam, Specify Color .....	1
105327-01	5" Half Clamp, Specify Color .....	2
100610-00	1/4" x 5/8" Drive Rivet, AL/SST .....	2
<b>130923-00</b>	<b>"D" Ring w/Bolt Link Hardware Package .....</b>	<b>2</b>
100292-00	3/8" x 1 1/4" BHCS w/Pin Limited Thread,SST .....	2
108440-00	"D" Ring, Brown.....	2
128045-00	Chain Assembly, Brown .....	2
<b>131150-00</b>	<b>Ring Pull Hardware Package .....</b>	<b>1</b>
100196-00	3/8" x 7/8" BHCS w/Pin, SST .....	4
100292-00	3/8" x 1 1/4" BHCS w/Pin Limited Thread,SST .....	2
100351-00	3/8" Tee Nut, SST .....	4
138917-00	Double Clevis, SST .....	2
127068-00	7/16" x 2 7/16" BHCS w/Pin Limited Thread,SST .....	2

## Specifications

**Ring Pull Beam:** Weldment comprised of 1.660" O.D. RS-20 (.085" - .095") galvanized steel tubing and 1/4" x 1 3/4" HRS clamps. Housings for double clevis are 1 1/4" O.D. x .312" wall steel tubing. SAE 841 dry bronze bushings are pressed into housings at factory. Finish: ProShield®, color specified.

**"D" Rings:** Cast from A356 aluminum alloy with a cast in place 841 bronze alloy bushing. Finish: TenderTuff™, brown in color.

**Chain Assembly:** 5/16" Low carbon steel straight link galvanized chain, with bolt link made from grade 316 stainless steel. Finish: TenderTuff, brown in color.

**Double Clevis:** Stainless Steel.

**Half Clamp:** Cast aluminum. Finish: ProShield, color specified.

**Fasteners:** Primary fasteners shall be socketed and pinned tamperproof in design, stainless steel (SST) per ASTM F 879 unless otherwise indicated (see specific product installation/specifications).

**Installation Time:** Approx. 1 man hour

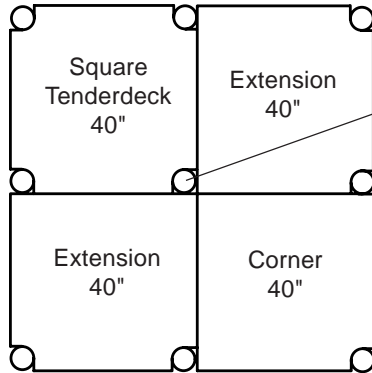
**Weight:** 15 lbs.

**Max. Fall Height:** 55" - 67" (1,40 m - 1,70 m)

## Installation Instructions

- 1) Attach double clevis to housings on beam using 7/16" x 2 7/16" BHCS w/pin limited thread bolts. Attach chain assembly to double clevis using 3/8" x 1 1/4" BHCS w/pin limited thread bolts. Attach "D" ring with bolt link to chain assembly using 3/8" x 1 1/4" BHCS w/pin limited thread bolt.
- 2) Mark posts for the appropriate height.
- 3) Lift beam into position and attach to posts using 5" half clamps, 3/8" x 7/8" BHCS w/pin and 3/8" tee nuts.
- 4) Install 1/4" x 5/8" drive rivets in all 5" half clamps. Refer to the Typical Offset Hanger Clamp Spec Sheet.
- 5) Install protective surfacing before users are allowed to play on the structure.

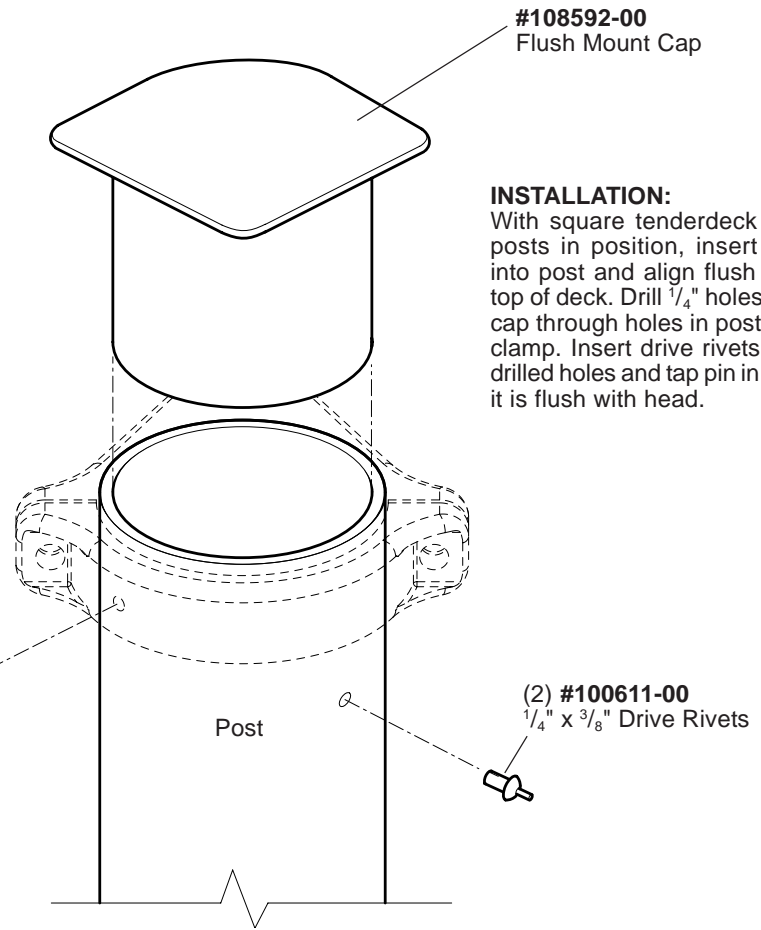
**PLAN VIEW**



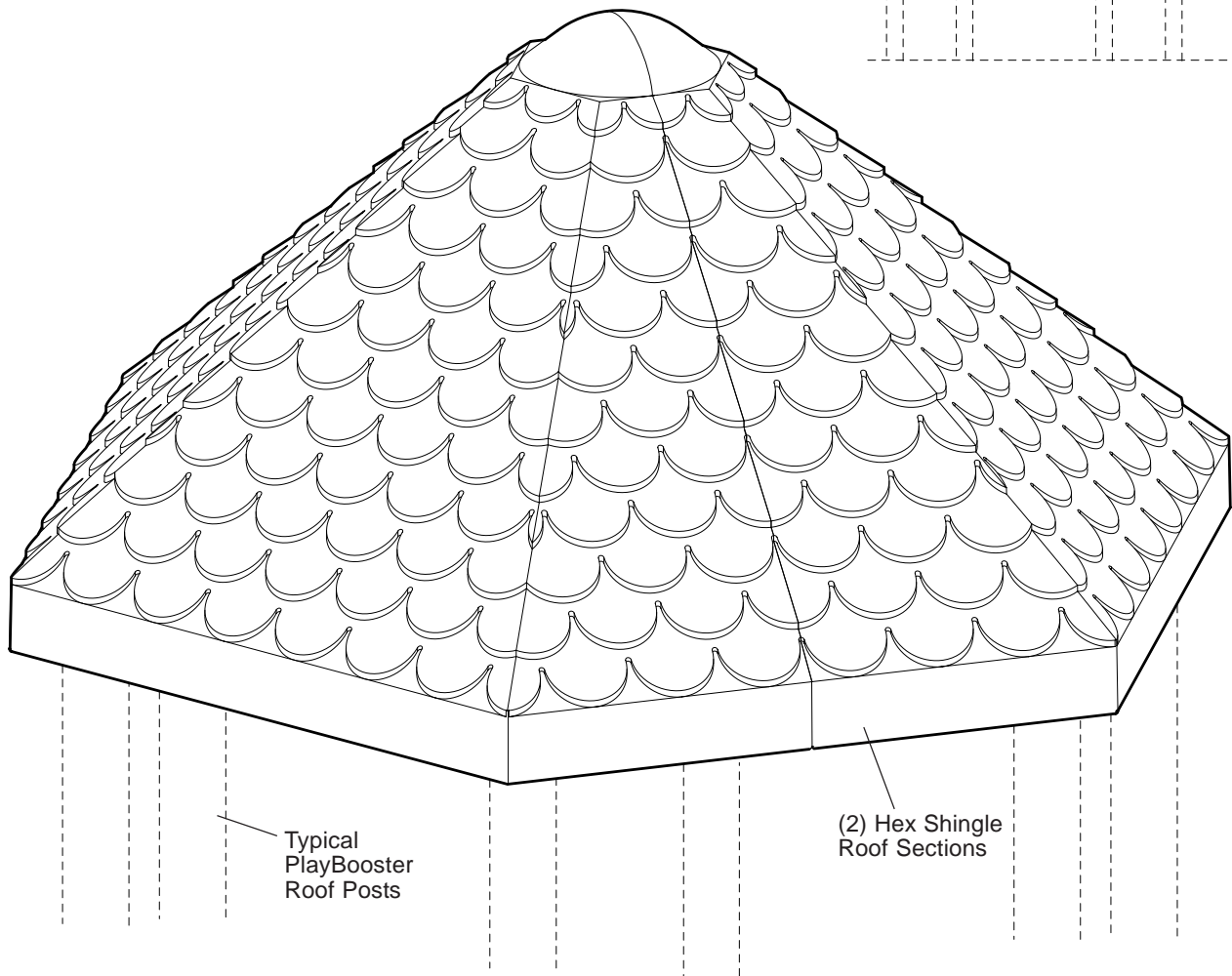
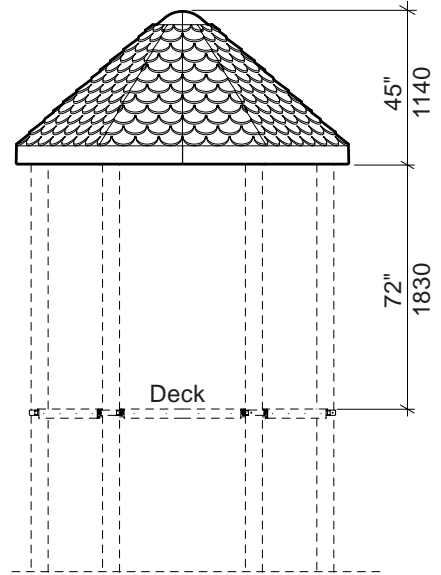
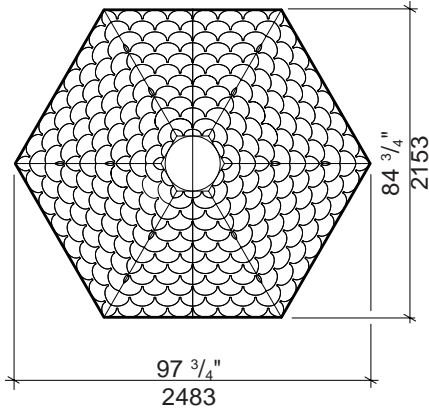
Typical Flush Mount Post Creates One large Deck At One Height.

**Typical Plan View Shown-Refer to your Plan Drawing for location and configuration**

**NOTE:**  
Cap must not protrude above top of deck. Adjust post if necessary to make cap flush with top of deck.



**INSTALLATION:**  
With square tenderdeck and posts in position, insert cap into post and align flush with top of deck. Drill 1/4" holes into cap through holes in post and clamp. Insert drive rivets into drilled holes and tap pin in until it is flush with head.







J:\SPEC\130\13022100.P65

# PlayBooster® 130567 Hex Shingle Roof

## Parts List

Part#	Description	Qty.
127829-00	Hex Shingle Roof Section, Specify Color .....	2
116573-00	Roof Sleeve .....	6
<b>130245-00</b>	<b>Hex Shingle Roof Hardware Package .....</b>	<b>1</b>
100198-00	<sup>3</sup> / <sub>8</sub> " x 1 <sup>1</sup> / <sub>8</sub> " BHCS w/Pin, SST .....	14
100362-00	<sup>3</sup> / <sub>8</sub> " Flat Washer, SST .....	14
100610-00	<sup>1</sup> / <sub>4</sub> " x <sup>5</sup> / <sub>8</sub> " Drive Rivet, AL/SST .....	12

## Specifications

### Hex Shingle

**Roof Section:** Rotationally molded from U.V. stabilized linear low density polyethylene, color specified.

**Roof Sleeve:** Cast from 319 almag.

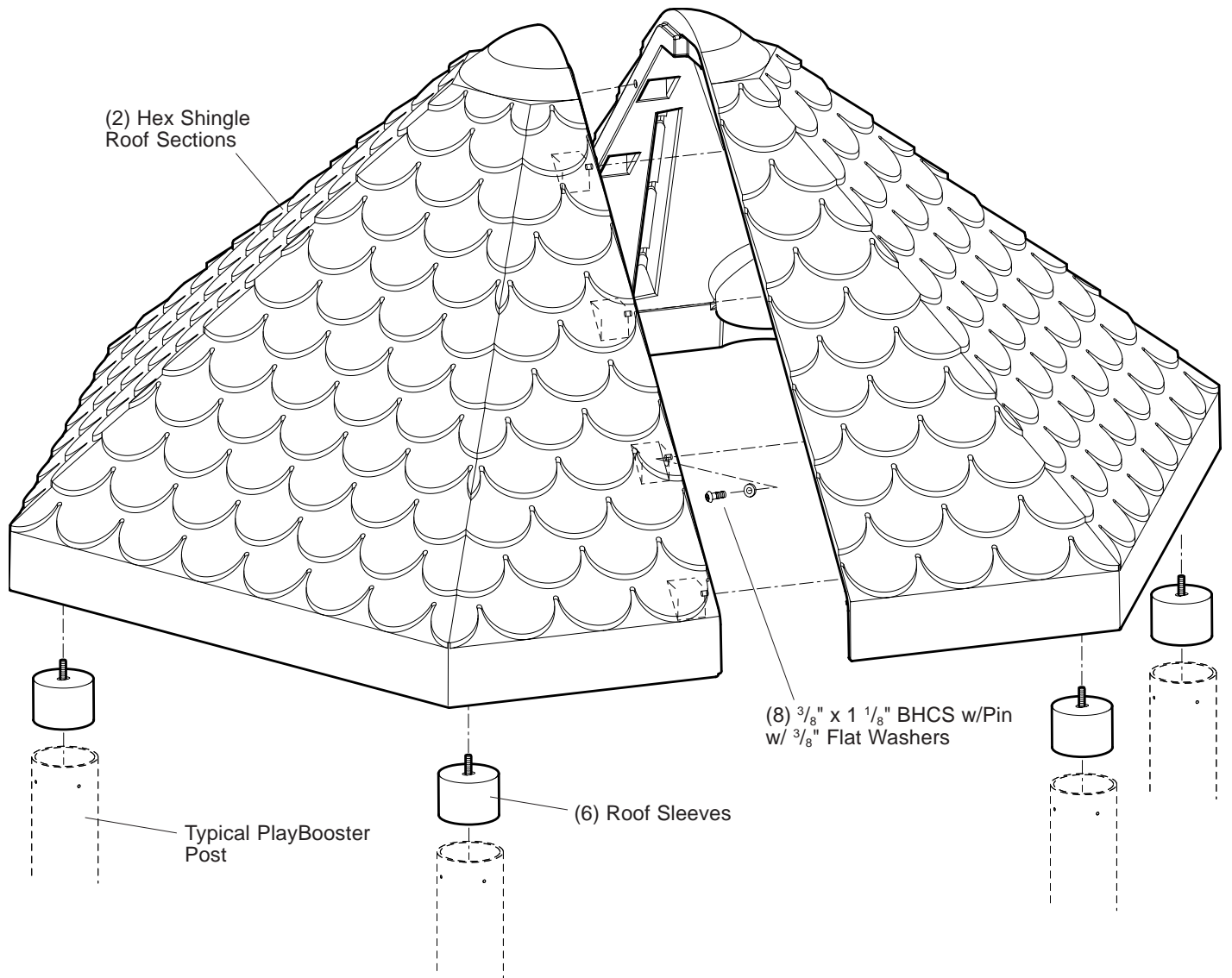
**Fasteners:** Primary fasteners shall be socketed and pinned tamperproof in design, stainless steel (SST) per ASTM F 879 unless otherwise indicated (see specific product installation/specifications).

**Installation Time:** Approx. 3 man hours

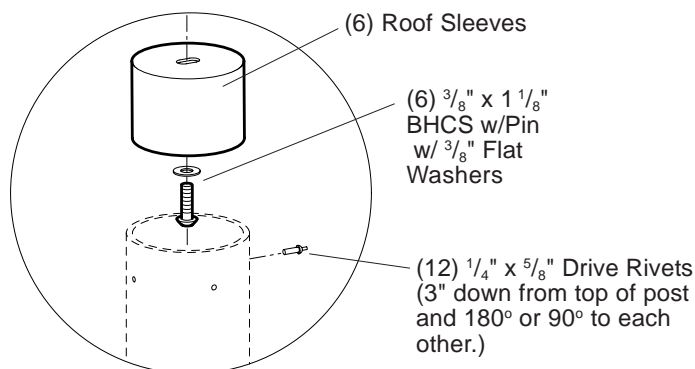
**Weight:** 182 lbs.

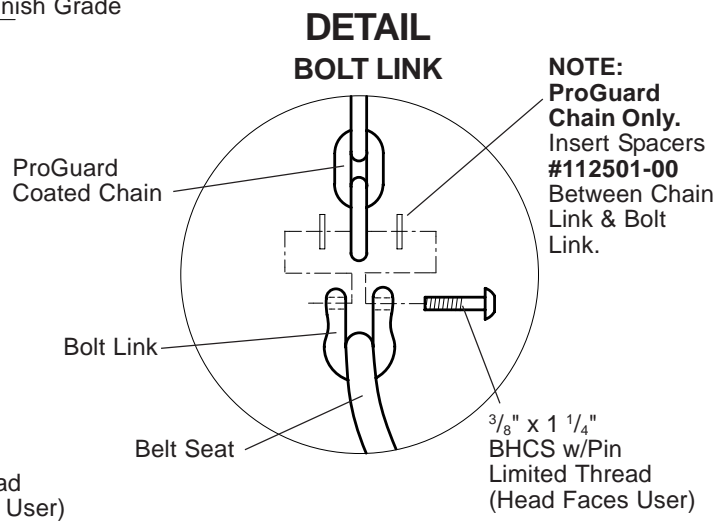
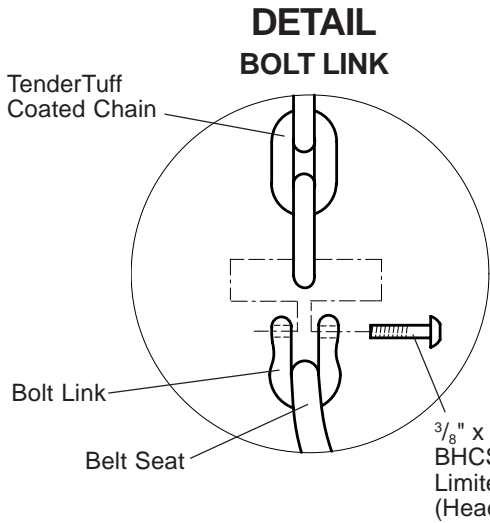
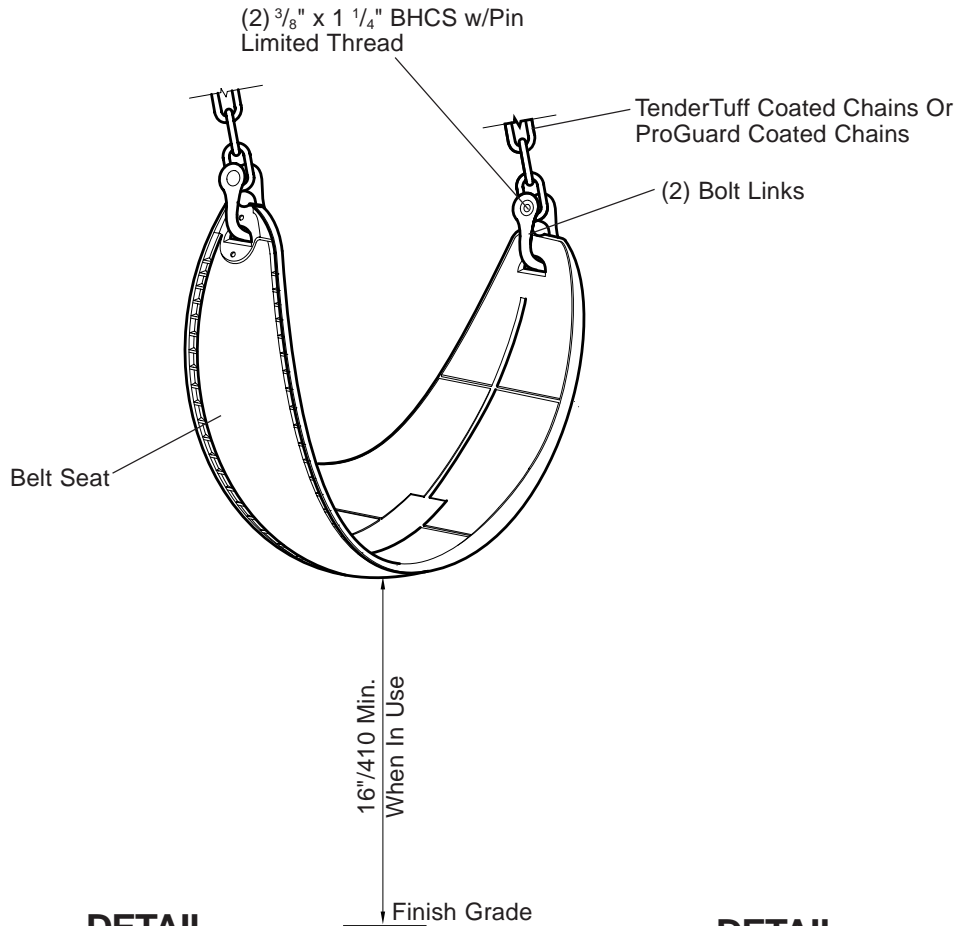
## Installation Instructions

- 1) Connect hex roof sections together using <sup>3</sup>/<sub>8</sub>" x 1 <sup>1</sup>/<sub>8</sub>" BHCS w/pin with <sup>3</sup>/<sub>8</sub>" flat washers.
- 2) Attach roof sleeves to roof using <sup>3</sup>/<sub>8</sub>" x 1 <sup>1</sup>/<sub>8</sub>" BHCS w/pin with <sup>3</sup>/<sub>8</sub>" flat washers. Refer to the Roof Sleeve/Drive Rivet Attachment Detail.
- 3) Position roof on roof posts with a minimum of 6 people.
- 4) Drill <sup>1</sup>/<sub>4</sub>" holes through roof sleeves using the predrilled <sup>1</sup>/<sub>4</sub>" holes in posts as a guide. Insert <sup>1</sup>/<sub>4</sub>" x <sup>5</sup>/<sub>8</sub>" drive rivets into drilled holes and tap pin in until it is flush with rivet head. Refer to the Roof Sleeve/Drive Rivet Attachment Detail.
- 5) Install protective surfacing before users are allowed to play on the structure.



**DETAIL**  
**ROOF SLEEVE/ DRIVE RIVET ATTACHMENT**





## Parts List

Part #	Description	Qty.
<b>8 Ft. High Beam</b>		
128842-00	Belt Swing Seat, Black .....	1
152050-00	67 7/8" Chain, TenderTuff, Specify Color .....	2
174404-00	67 7/8" Chain, ProGuard .....	2
<b>132672-00</b>	<b>Bolt Link w/Bolt &amp; Spacers</b> .....	1
100292-00	3/8" x 1 1/4" BHCS w/Pin Ltd. Thread, SST .....	2
138915-00	Bolt Link, SST .....	2
112501-00	Chain Spacer .....	4
<b>132635-00</b>	<b>Bolt Link w/Bolt Hardware Package</b> .....	1
100292-00	3/8" x 1 1/4" BHCS w/Pin Ltd. Thread, SST .....	2
138915-00	Bolt Link, SST .....	2
<b>10 Ft. High Beam</b>		
128842-00	Belt Swing Seat, Black .....	1
152052-00	90 11/16" Chain, TenderTuff, Specify Color .....	2
174884-00	90 11/16" Chain, ProGuard .....	2
<b>132672-00</b>	<b>Bolt Link w/Bolt &amp; Spacers</b> .....	1
100292-00	3/8" x 1 1/4" BHCS w/Pin Ltd. Thread, SST .....	2
138915-00	Bolt Link, SST .....	2
112501-00	Chain Spacer .....	4
<b>132635-00</b>	<b>Bolt Link w/Bolt Hardware Package</b> .....	1
100292-00	3/8" x 1 1/4" BHCS w/Pin Ltd. Thread, SST .....	2
138915-00	Bolt Link, SST .....	2

## Specifications

**Chain Spacer:** Made from white nylon measuring .080" x .785" O.D.

**Chain/ProGuard:** Steel 3/16" straight link chain, 800 lb. working load limit. Finish: ProGuard.

**Chain/Coated:** Steel 3/16" straight link chain, 800 lb. working load limit. Finish: TenderTuff, color specified.

**Belt Seats:** Molded from U.V. stabilized black EPDM rubber encapsulating a weldment comprised of a 22 GA (.029") spring stainless steel sheet, and (4) .105" thick stainless steel washers. The belt seat elliptical shape measures 7" wide x 26" long x .700" thick.

**Bolt Link:** Stainless Steel.

**Fasteners:** Primary fasteners shall be socketed and pinned tamperproof in design, stainless steel (SST) per ASTM F 879 unless otherwise indicated (see specific product installation/specifications).

**Installation Time:** 1/4 man hour per seat

**Weight:**  
 8 lbs. (8 Ft. Beam w/ProGuard Chains)  
 9 lbs. (8 Ft. Beam w/TenderTuff Chains)  
 10 lbs. (10 Ft. Beam w/ProGuard Chains)  
 11 lbs. (10 Ft. Beam w/TenderTuff Chains)

## Installation

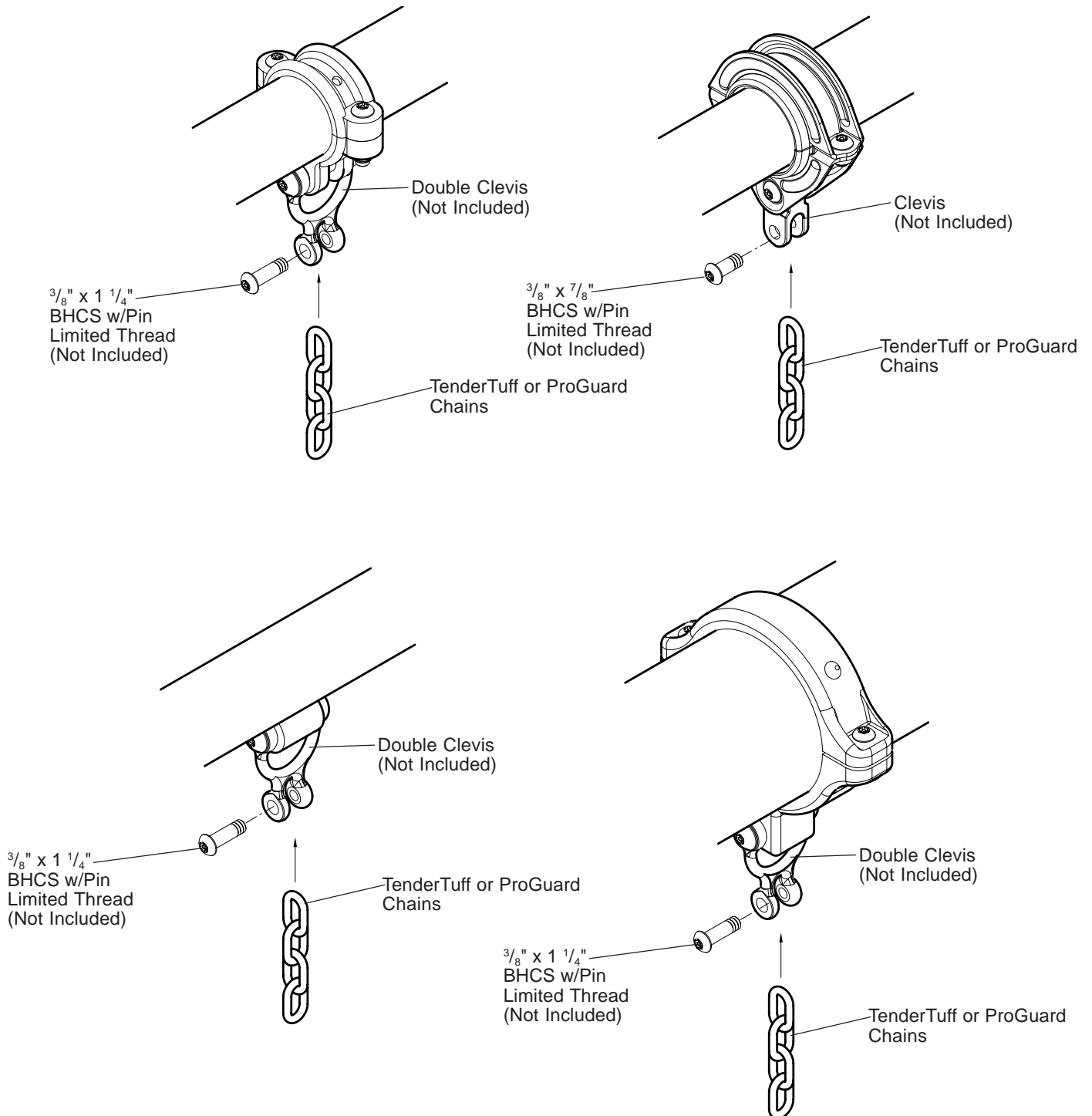
### Swing Hangers With Double Clevis

- 1) Attach chains to double clevis using 3/8" x 1 1/4" BHCS w/pin limited thread, as shown.
- 2) Attach chains to belt seat using bolt links with 3/8" x 1 1/4" BHCS w/pin limited thread. Be sure bolt heads face user. **NOTE:** Use chain spacers as shown when installing ProGuard chains.
- 3) Install protective surfacing before users are allowed to play on the structure.

### Anti-wrap Swing Hangers

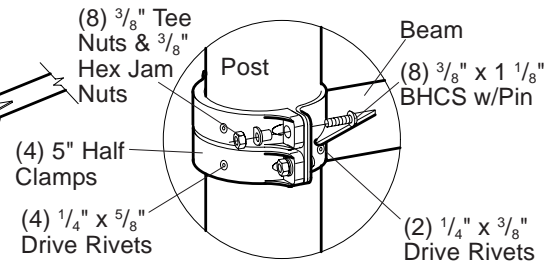
- 1) Attach chains to aluminum clevis using 3/8" x 7/8" BHCS w/pin limited thread, as shown.
- 2) Attach chains to belt seat using bolt links with 3/8" x 1 1/4" BHCS w/pin limited thread. Be sure bolt heads face user. **NOTE:** Use chain spacers as shown when installing ProGuard chains.
- 3) Install protective surfacing before users are allowed to play on the structure.

**SWING HANGER OPTIONS**

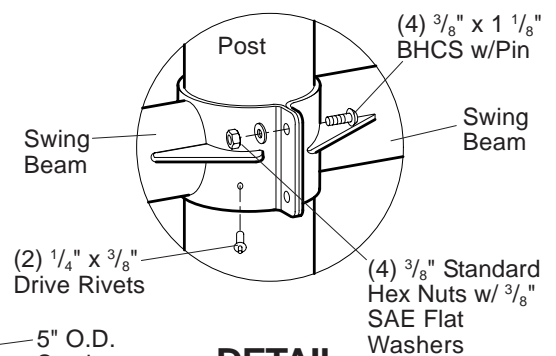


**NOTE: Tighten all BHCS w/Pin equally.**

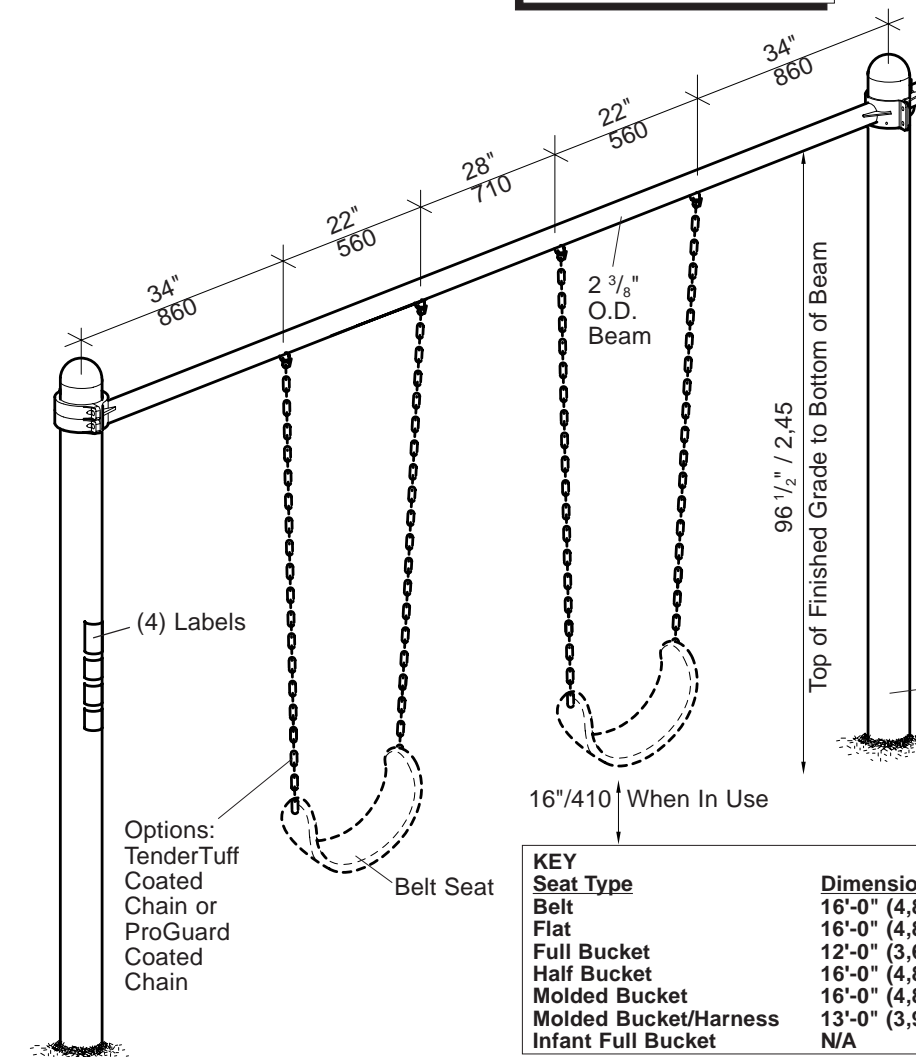
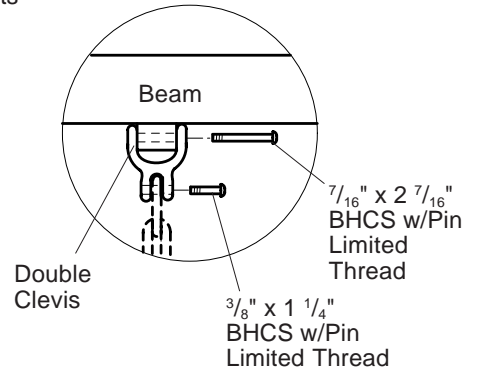
**DETAIL  
END POST ATTACHMENT**



**DETAIL  
BACK-TO-BACK  
SWING BEAM ATTACHMENT**

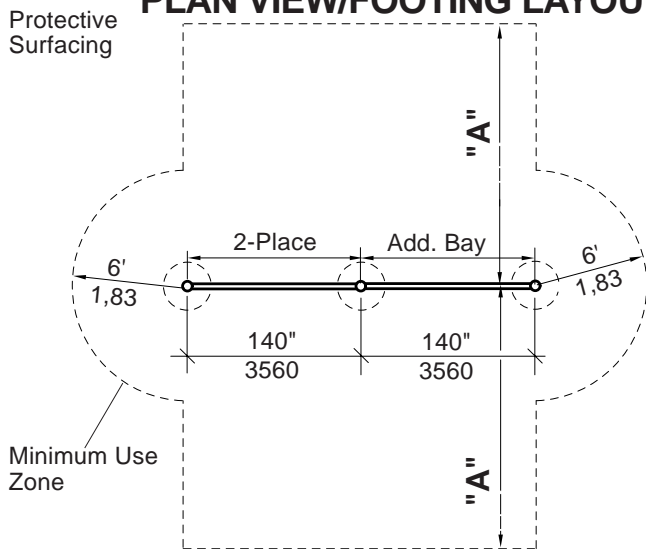


**DETAIL**

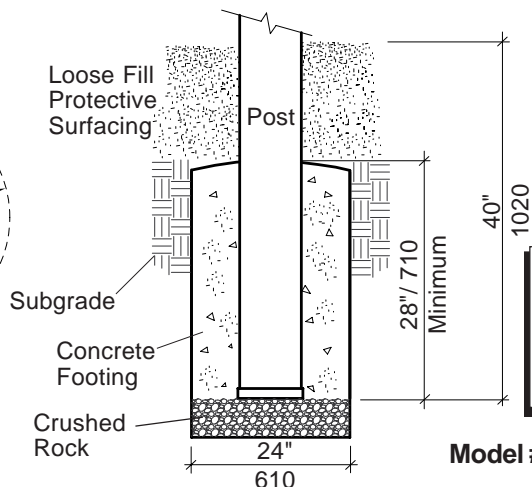


KEY Seat Type	Dimension "A"
Belt	16'-0" (4,88 m)
Flat	16'-0" (4,88 m)
Full Bucket	12'-0" (3,66 m)
Half Bucket	16'-0" (4,88 m)
Molded Bucket	16'-0" (4,88 m)
Molded Bucket/Harness	13'-0" (3,96 m)
Infant Full Bucket	N/A

**PLAN VIEW/FOOTING LAYOUT**



**DETAIL  
CONCRETE FOOTING**



**NOTE: Model numbers are for swing frames only, order swing seats with chains separately.**

Model #177333 Additional Bay

**Swings 177332/177333 Single Post Swing Frame**



# Swings 177332/177333 Single Post Swing Frame

J:\SPECS\SPECS1\184\18448100.P65

## Parts List

Part#	Description	Qty	
		2 Pl	Add. Bay
177498-00	Swing Beam, Specify Color .....	1	1
107532-00	140" Steel Post Assy., Specify Color .....	2	1
105327-01	5" Half Clamp, Specify Color .....	4	*
<b>132634-00</b>	<b>Double Clevis Hardware Package</b> .....	2	2
127068-00	7/16" x 2 7/16" BHCS w/Pin Ltd.Thread, SST ..	4	4
100292-00	3/8" x 1 1/4" BHCS w/Pin Ltd. Thread, SST ..	4	4
138917-00	Double Clevis, SST .....	4	4
<b>184516-00</b>	<b>2-Place Hardware Package</b> .....	1	-
100198-00	3/8" x 1 1/8" BHCS w/Pin, SST .....	8	-
100351-00	3/8" Tee Nut, SST .....	8	-
100610-00	1/4" x 5/8" Drive Rivet, AL/SST .....	4	-
128296-00	3/8" Hex Jam Nut, SST .....	8	-
100611-00	1/4" x 3/8" Drive Rivet, AL/SST .....	2	-
156846-00	Play Safe Label, 2-12 Yrs. ....	1	-
182213-00	Hot Surface Warning Label .....	1	-
182212-00	Entanglement Warning Label .....	1	-
115176-00	Hard Surface Warning Label .....	1	-
<b>184429-00</b>	<b>Additional 2 Place Hardware Package</b> .....	-	1
100198-00	3/8" x 1 1/8" BHCS w/Pin, SST .....	-	4
100327-00	3/8" Standard Hex Nut, SST .....	-	4
100611-00	1/4" x 3/8" Drive Rivet, AL/SST .....	-	2
100365-00	3/8" SAE Flat Washer, SST .....	-	4
156846-00	Play Safe Label, 2-12 Yrs. ....	-	1
182213-00	Hot Surface Warning Label .....	-	1
182212-00	Entanglement Warning Label .....	-	1
115176-00	Hard Surface Warning Label .....	-	1

\* = 5" Half Clamps From 2 PL. Need To Be Used.

## Specifications

**Post:** See PlayBooster® (PB) General Specifications.

**Beam:** Weldment comprised of 2.375" O.D. RS-40 (.130" - .140") galvanized steel tubing, 3" wide zinc-plated steel clamps and 1 1/4" housings w/bronze bushings. Finish: ProShield®, color specified.

**Half Clamp:** Cast aluminum. Finish: ProShield®, color specified.

**Fasteners:** Primary fasteners shall be socketed and pinned tamperproof in design, stainless steel (SST) per ASTM F 879 unless otherwise indicated (see specific product installation/specifications).

**Installation Time:** **2-Place** - Approx. 6 man hours  
**Additional Bay** - Approx. 3 man hours

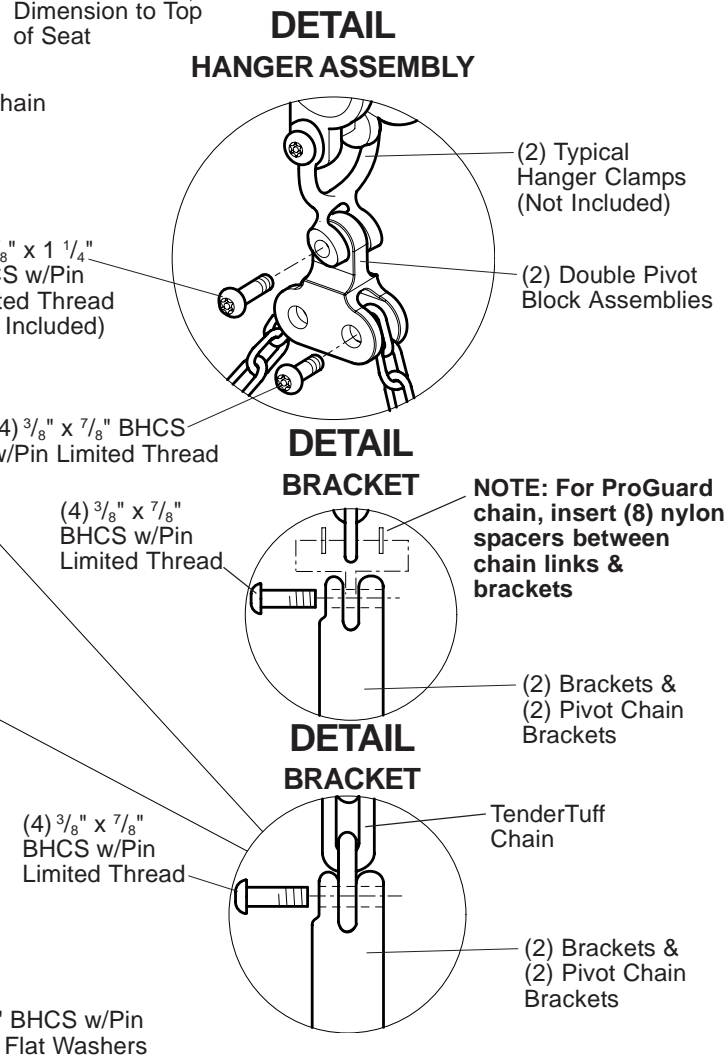
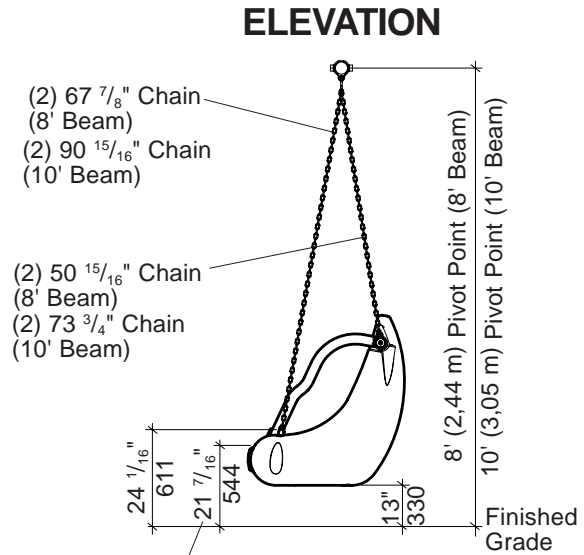
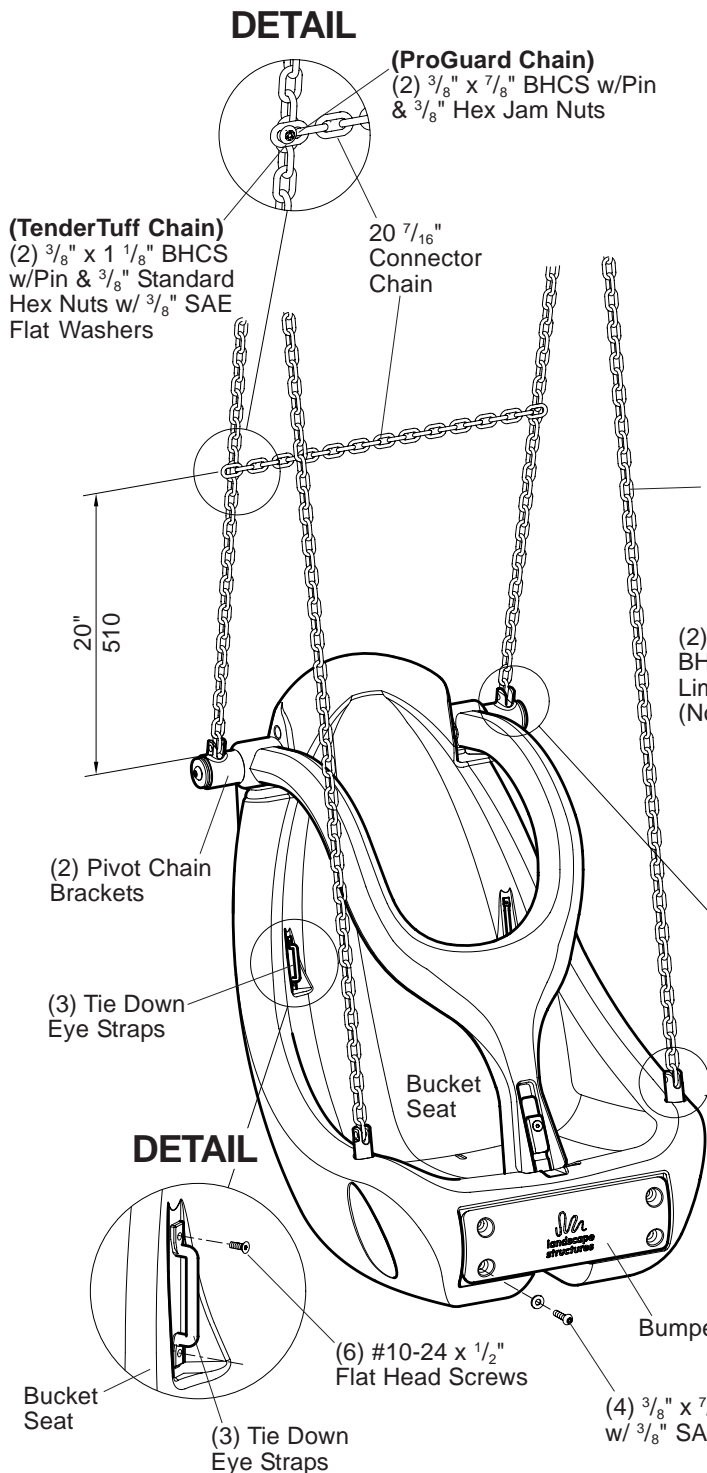
**Concrete Req.:** **2-Place** - Approx. 14 cu. ft.  
**Additional Bay** - Approx. 7 cu. ft.

**Area Req:** **2-Place** - 24'-1" x 24' (7,3 m x 7,31 m) Full bucket seats.  
**2-Place** - 24'-1" x 32' (7,3 m x 9,75 m) For all other seats.  
**Additional Bay** - 11'-8" x 24' (3,56 m x 7,31 m) Full bucket seats.  
**Additional Bay** - 11'-8" x 32' (3,56 m x 9,75 m) For all other seats.

**Weight:** **2-Place** - 213 lbs.  
**Additional Bay** - 129 lbs.

## Installation Instructions

- 1) Dig footings spaced as shown. Refer to Concrete Footing Detail.
- 2) Set posts in footing holes and attach swing beam using 5" half clamps with 3/8" x 1 1/8" BHCS w/pin and 3/8" tee nuts. Note Detail on front of sheet. Bottom of beam should be 96 1/2" above finished grade. **NOTE: Tighten all BHCS w/pin equally.**
- 3) Fasten 3/8" hex jam nuts to 3/8" x 1 1/8" BHCS w/pin.
- 4) If installing additional bay swings use 3/8" x 1 1/8" BHCS w/pin and 3/8" standard hex nuts with 3/8" SAE flat washers, this hardware will be used to connect swing beam to swing beam. Refer to Back to Back Swing Beam Attachment Detail.
- 5) Level beam and plumb posts and temporarily prop in position. Pour concrete footings and let cure for 72 hours before proceeding.
- 6) Attach double clevis to beam using 7/16" x 2 7/16" BHCS w/pin limited thread.
- 7) **NOTE:** Refer to specific swing seat installation document for attaching chains and seats.
- 8) **IMPORTANT:** Drill Through hole in 5" half clamps and steel half clamps on beams and into 5" post with a 1/4" or "F" (only) drill bit, tap 1/4" x 5/8" drive rivets through aluminum clamps and 1/4" x 3/8" drive rivets through steel clamps and into post. This will ensure that the clamp assembly cannot slide down the post.
- 9) Apply Play Safe and Warning Labels, as shown.
- 10) Install protective surfacing before users are allowed to play on the swing.





# Swings 177351 Molded Bucket Seat, w/Harness

## Parts List

Part#	Description	Qty.
182025-00	Molded Bucket Seat Assembly, Specify Color .....	1
175738-00	Bumper, Black .....	1
<b>8 Ft. High Beam - ProGuard Finished Chains</b>		
174404-00	67 7/8" Long, (Front) .....	2
175619-00	50 15/16" Long, (Back) .....	2
175653-00	20 7/16" Long, (Connector) .....	1
<b>10 Ft. High Beam - ProGuard Finished Chains</b>		
174884-00	90 11/16" Long, (Front) .....	2
175623-00	73 3/4" Long, (Back) .....	2
175653-00	20 7/16" Long, (Connector) .....	1
<b>8 Ft. High Beam - TenderTuff Chains</b>		
152050-00	67 7/8" Long, (Front), Specify Color .....	2
174572-00	50 15/16" Long, (Back), Specify Color .....	2
174571-00	20 7/16" Long, (Connector), Specify Color .....	1
<b>10 Ft. High Beam -TenderTuff Chains</b>		
152052-00	90 11/16" Long, (Front), Specify Color .....	2
175621-00	73 3/4" Long, (Back), Specify Color .....	2
174571-00	20 7/16" Long, (Connector), Specify Color .....	1
<b>176329-00</b>	<b>Molded Seat w/Yoke Hardware Package</b> .....	1
100196-00	3/8" x 7/8" BHCS w/Pin, SST .....	6
100198-00	3/8" x 1 1/8" BHCS w/Pin, SST .....	2
100290-00	3/8" x 7/8" BHCS w/Pin Limited Thread, SST .....	8
100327-00	3/8" Standard Hex Nut, SST .....	2
100365-00	3/8" SAE Flat Washer, SST .....	6
106035-00	Seat Mounting Bracket .....	2
112501-00	Nylon Spacer .....	8
128296-00	3/8" Hex Jam Nut, SST .....	2
148896-00	Tie Down Eye Strap, SST .....	3
160307-00	Double Pivot Block Assy. ....	2
162462-00	#10-24 x 1/2" Flat Head Screw, SST .....	6

## Specifications

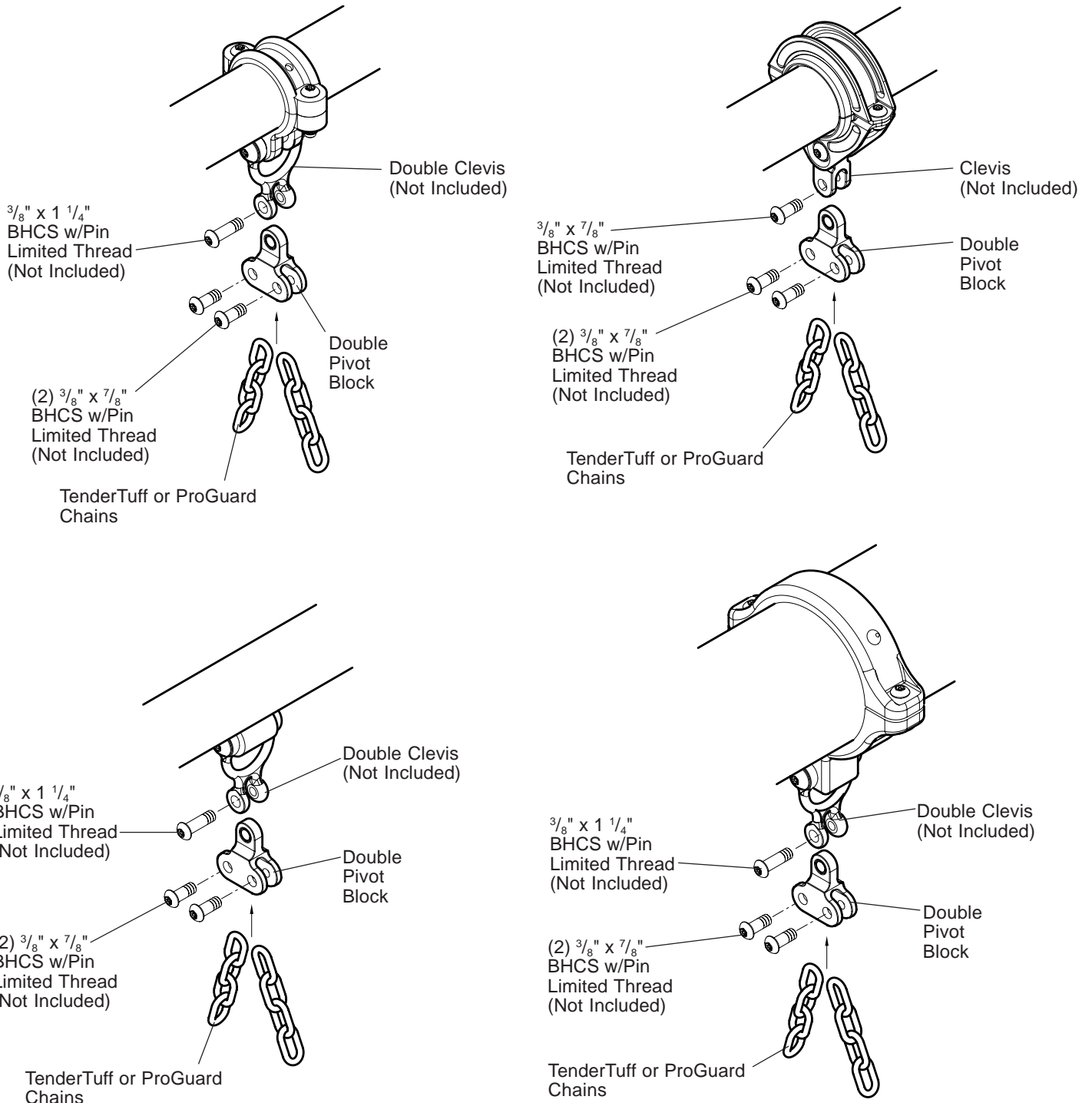
<b>Bucket Seat Assy.:</b>	<b>(Bucket Seat &amp; Yoke)</b> Rotationally molded from U.V. stabilized linear low density polyethylene, color specified. <b>(Pipebolt)</b> Made from 1.125" O.D. 6005-T5 threaded anodized aluminum tube. <b>(Bearings)</b> UHMW PE lubricated. <b>(Brackets)</b> Made from 356-T6 aluminum.
<b>Chain/ProGuard:</b>	Steel 3/16" straight link chain, 800 lb. working load limit. Finish: ProGuard.
<b>Chain/Coated:</b>	Steel 3/16" straight link chain, 800 lb. working load limit. Finish: TenderTuff, color specified.
<b>Seat Mounting Bracket:</b>	Cast from 535 aluminum magnesium.
<b>Bumper:</b>	Molded from U.V. stabilized black EPDM rubber encapsulating 11 GA (.120") HRPO steel sheet.
<b>Dbl. Pivot Block:</b>	Fabricated from 6061-T6 Aluminum with bronze oil impregnated bearing.
<b>Fasteners:</b>	Primary fasteners shall be socketed and pinned tamperproof in design, stainless steel (SST) per ASTM F 879 unless otherwise indicated (see specific product installation/specifications).

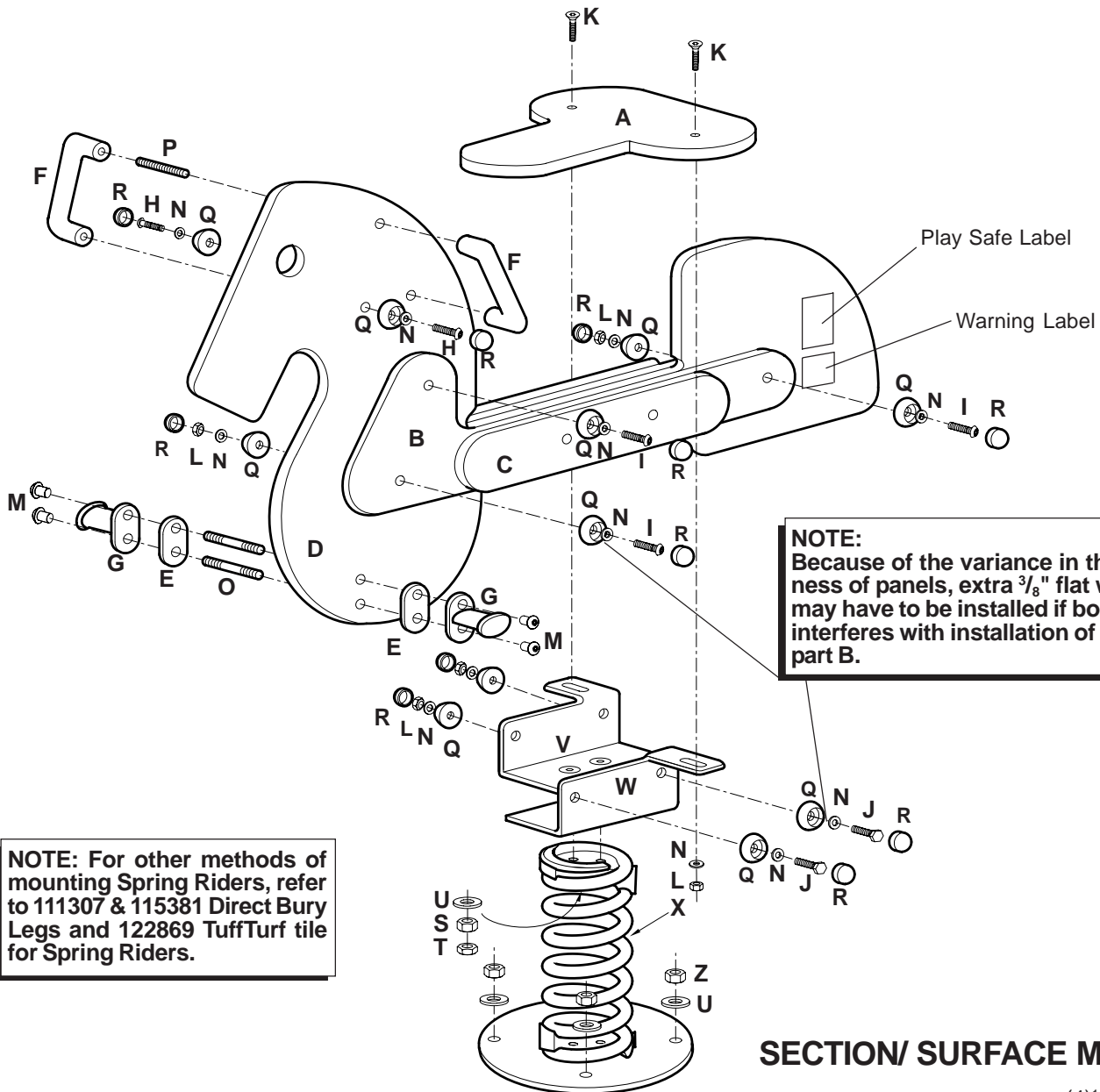
<b>Installation Time:</b>	Approx. 1 man hour
<b>Weight:</b>	48 lbs. (8 Ft. Beam w/ProGuard Chains) 51 lbs. (8 Ft. Beam w/TenderTuff Chains) 51 lbs. (10 Ft. Beam w/ProGuard Chains) 55 lbs. (10 Ft. Beam w/TenderTuff Chains)

## Installation Instructions

- 1) Insert seat mounting brackets into molded-in holes in front of bucket seat and attach ends of chain, using 3/8" x 7/8" BHCS w/pin limited thread. See Bracket Detail. **NOTE:** For ProGuard coated chain, insert (4) nylon spacers between chain links and brackets.
- 2) Attach ends of chain to pivot chain brackets, using 3/8" x 7/8" BHCS w/pin limited thread. See Bracket Detail. **NOTE:** For ProGuard coated chain, insert (4) nylon spacers between chain links and brackets.
- 3) Attach chains to double pivot blocks, using 3/8" x 7/8" BHCS w/pin limited thread.
- 4) **(Swing Hangers with Double Clevis)** Attach chains to swing hanger double clevis, using 3/8" x 1 1/4" BHCS w/pin limited thread.  
**(Anti-wrap Swing Hangers)** Attach chains to anti-wrap swing hanger clevis, using 3/8" x 7/8" BHCS w/pin limited thread.
- 5) **(ProGuard Chain)** Attach connector chain to back swing chains at dimension shown, using 3/8" x 7/8" BHCS w/pin & 3/8" jam nuts. Refer to Detail.  
**(TenderTuff Chain)** Attach connector chain to back swing chains at dimension shown, using 3/8" x 1 1/8" BHCS w/pin & 3/8" standard hex nuts with 3/8" SAE Flat Washers. Refer to Detail.
- 6) Attach tie down eye straps, using #10-24 x 1/2" flat head screws, as shown. Tie down eye straps are used for seat belts (not included).
- 7) Attach bumper to front of swing seat, using 3/8" x 7/8" BHCS w/pin with 3/8" SAE Flat Washers.
- 8) Install protective surfacing before users are allowed to play on the structure.

**SWING HANGER OPTIONS**

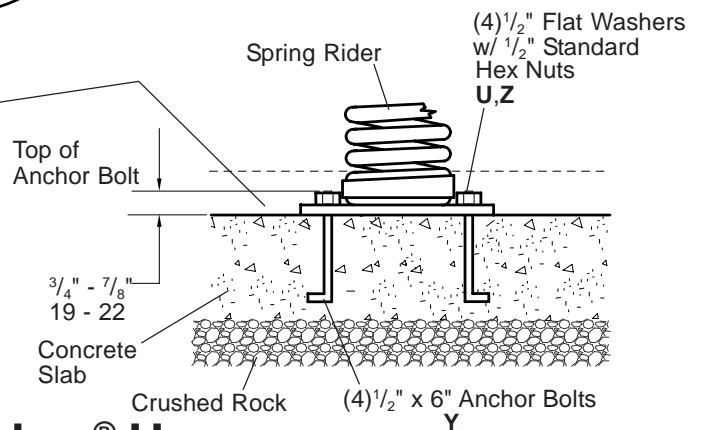




**NOTE:** For other methods of mounting Spring Riders, refer to 111307 & 115381 Direct Bury Legs and 122869 TuffTurf tile for Spring Riders.

**NOTE:** Sufficient protective surfacing must cover hardware to satisfy fall height requirements.

**SECTION/ SURFACE MOUNTING**





J:\SPECS\183\18380100.P65

## Parts List

Part#	Description	Qty.
<b>137789-00</b>	<b>Boxed Horse (Standard)</b> .....	1
A 109447-00	Seat Panel, Red .....	1
B 109449-00	Long Brace, Red .....	2
C 109450-00	Short Brace, Red .....	2
D 109481-00	Body Panel, Tan .....	1
E 109497-00	Foot Rest Spacer, Tan .....	2
<b>170327-00</b>	<b>Boxed Horse (Recycled)</b> .....	1
A 109447-00	Seat Panel, Red/Black .....	1
B 109449-00	Long Brace, Red/Black .....	2
C 109450-00	Short Brace, Red/Black .....	2
D 109481-00	Body Panel, Tan/Black .....	1
E 109497-00	Foot Rest Spacer, Tan/Black .....	2
<b>F 105752-00</b>	<b>Aluminum Handle, White</b> .....	2
<b>G 136479-00</b>	<b>Foot Rest, Brown</b> .....	2
<b>183855-00</b>	<b>Horse Hardware Package</b> .....	1
H 100171-00	$\frac{3}{8}$ " x 1 $\frac{1}{2}$ " BHCS, SST .....	2
I 100176-00	$\frac{3}{8}$ " x 3" BHCS, SST .....	3
J 100214-00	$\frac{3}{8}$ " x 5" Hex Cap Screw .....	2
K 100252-00	$\frac{3}{8}$ " x 1 $\frac{1}{4}$ " Flat Head Cap Screw, SST .....	2
L 100327-00	$\frac{3}{8}$ " Standard Hex Nut, SST .....	7
M 100353-00	$\frac{3}{8}$ " Flange Nut w/Pin, SST .....	4
N 100365-00	$\frac{3}{8}$ " SAE Flat Washer, SST .....	30
O 100642-00	$\frac{3}{8}$ " x 2 $\frac{1}{2}$ " Threaded Rod, SST .....	2
P 100643-00	$\frac{3}{8}$ " x 2 $\frac{7}{8}$ " Threaded Rod .....	1
Q 108184-01	Bolt Cap Part A .....	12
R 108185-01	Bolt Cap Part B .....	12
S 129692-00	$\frac{1}{2}$ " Standard Patch Nut, SST .....	2
T 129693-00	$\frac{1}{2}$ " Hex Jam Nut, SST .....	2
U 100363-00	$\frac{1}{2}$ " Flat Washer, SST .....	2
156845-00	Play Safe Label, 2-5 Yrs. ....	1
183064-00	Warning Label .....	1
V 130839-00	Right Bracket, Brown .....	1
W 104570-00	Left Bracket, Brown .....	1
X 132276-00	Spring Assembly, Brown .....	1
<b>120202-00</b>	<b>Spring Animal Anchor Hardware Package</b> .....	1
Y 100262-00	$\frac{1}{2}$ " x 6" Anchor Bolt .....	4
Z 100322-00	$\frac{1}{2}$ " Standard Hex Nut, SST .....	4
U 100363-00	$\frac{1}{2}$ " Flat Washer, SST .....	4

## Specifications

<b>Standard Panels:</b>	Permalene® seat panel, long brace and short brace red in color and body panel and foot rest spacer tan in color.
<b>Recycled Panels:</b>	Permalene seat panel, long brace and short brace red/black in color and body panel and foot rest spacer tan/black in color.
<b>Spring:</b>	Weldment comprised of 5 $\frac{5}{8}$ " diameter $\frac{13}{16}$ " tempered alloy steel coil. Finish: ProShield®, brown in color.
<b>Brackets:</b>	Fabricated from formed 7 GA (.179") HRS. Finish: ProShield, brown in color.
<b>Base Plate:</b>	Fabricated from $\frac{1}{4}$ " x 10" HRPO formed plate. Finish: ProShield, brown in color.
<b>Footrest:</b>	Cast from 356-T6 aluminum alloy. Finish: ProShield, brown in color.

Specifications are subject to change without notice.

# Kids In Motion 100016 TuffRiders® Horse

**Bolt Caps:** Made from injection molded polypropylene, U.V. stabilized, white in color.

**Fasteners:** Primary fasteners shall be socketed and pinned tamperproof in design, stainless steel (SST) per ASTM F 879 unless otherwise indicated (see specific product installation/specifications).

**Installation Time:** Approx. 3 man hours

**Concrete Req.:** Approx. 10 cu. ft.

**Area Req.:** 13'-0" x 15'-0" (3,96 m x 4,57 m) minimum use zone

**Weight:** 63 lbs.

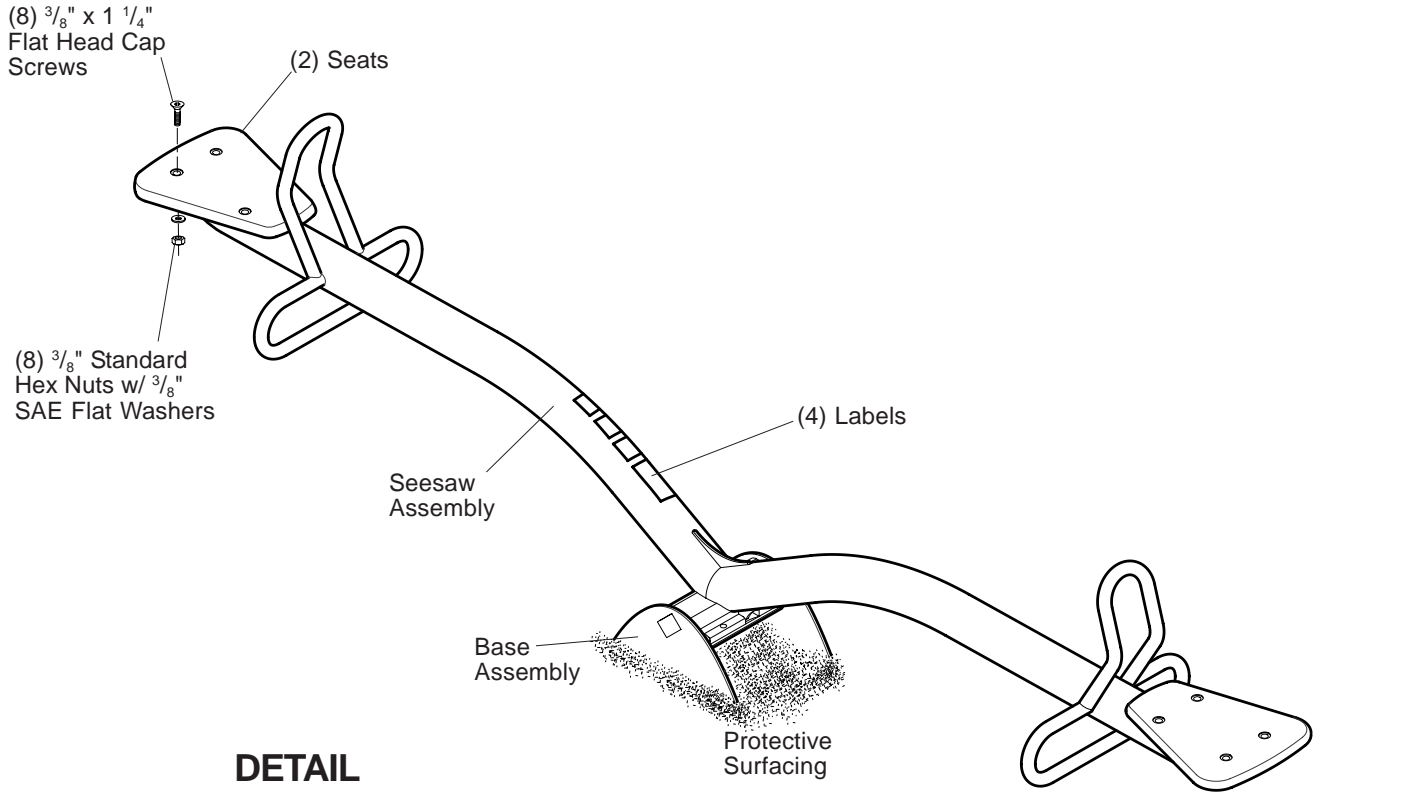
**Seat Height:** 16  $\frac{3}{4}$ " (0,43 m)

## Installation Instructions

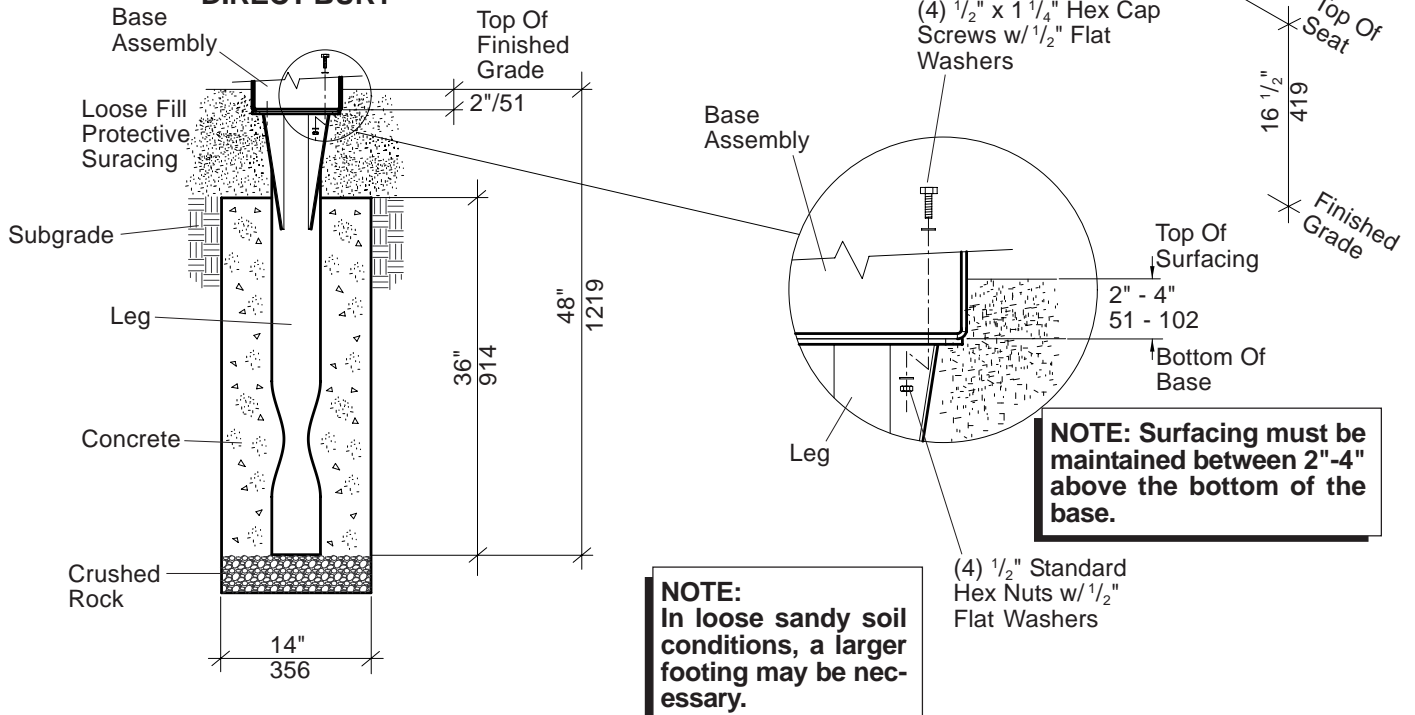
**NOTE:** For other methods of mounting Spring Riders, refer to 111307 & 115381 Direct Bury Legs and 122869 TuffTurf tile for Spring Riders.

### Surface Mounting On Concrete Slab

- Using the spring base plate as a pattern, make a plywood template for anchor bolt placement.
- Attach  $\frac{1}{2}$ " x 6" anchor bolts (**Y**) with  $\frac{1}{2}$ " flat washers and  $\frac{1}{2}$ " standard hex nuts (**U,Z**) to holes in template. Allow  $\frac{3}{4}$ " to  $\frac{7}{8}$ " of thread to protrude from concrete.
- Pour concrete slab and lay template on surface in level position. Push anchor bolts into concrete, allowing 72 hours before template removal.
- Attach spring assembly (**X**) to anchor bolts in concrete with  $\frac{1}{2}$ " standard hex nuts (**Z**) and  $\frac{1}{2}$ " flat washers (**U**).
- Attach left bracket (**W**) and right bracket (**V**) to spring assembly (**W**), with  $\frac{1}{2}$ " flat washers (**U**),  $\frac{1}{2}$ " patch nuts (**S**) and  $\frac{1}{2}$ " hex jam nuts (**T**). Do not tighten.
- Fasten the long braces (**B**) to body (**D**) with  $\frac{3}{8}$ " x 3" BHCS (**I**), bolt caps part A (**Q**) and  $\frac{3}{8}$ " standard hex nuts (**L**) with  $\frac{3}{8}$ " SAE flat washers (**N**).
- Add short braces (**C**) to body (**D**) and set in bracket assembly. Fasten with  $\frac{3}{8}$ " x 5" hex cap screws (**J**), bolt caps part A (**Q**) and  $\frac{3}{8}$ " standard hex nuts (**L**) with  $\frac{3}{8}$ " SAE flat washers (**N**).
- Attach seat (**A**) to flanges on brackets with  $\frac{3}{8}$ " x 1  $\frac{1}{4}$ " flat head cap screws (**K**)  $\frac{3}{8}$ " SAE flat washers (**N**) and  $\frac{3}{8}$ " standard hex nuts (**L**).
- Attach footrests (**G**) to body (**D**) placing footrest spacers (**E**) in place as shown on the front of this sheet. Attach using  $\frac{3}{8}$ " x 2  $\frac{1}{2}$ " threaded rod (**M**) and  $\frac{3}{8}$ " flange nuts w/pin (**M**).
- Thread  $\frac{3}{8}$ " x 2  $\frac{7}{8}$ " threaded rod (**P**) through body and into handbars (**F**) until snug, then turn handbars to match up to holes, as shown. Fasten other ends of handbars with  $\frac{3}{8}$ " x 1  $\frac{1}{2}$ " BHCS (**H**), bolt caps part A (**Q**) and  $\frac{3}{8}$ " SAE flat washers (**N**).
- Final tighten all fasteners. Snap on bolt caps part B (**R**) to bolt caps part A (**Q**) by hand or with rubber mallet.
- Apply labels as shown.
- Install protective surfacing before users are allowed to play on the component. A minimum of 2" of protective surfacing should cover base plate and anchor bolts.



**DETAIL  
DIRECT BURY**



**NOTE: Surfacing must be maintained between 2"-4" above the bottom of the base.**

**NOTE: In loose sandy soil conditions, a larger footing may be necessary.**

## Parts List

Part#	Description	Qty.
148881-00	Leg (DB), Specify Color .....	1
160199-00	Seat, Tan/Black .....	2
146007-00	5/16" 6-Lobe T-45 Bit .....	1
146017-00	5/16" 6-Lobe T-45 Key .....	1
<b>149305-00</b>	<b>Seesaw 2-Place Assembly, Specify Color .....</b>	<b>1</b>
100196-00	3/8" x 7/8" BHCS w/Pin, SST .....	8
100351-00	3/8" T-Nut, SST .....	12
113027-00	3/8" x 1 3/8" BHCS w/Pin, SST .....	4
128296-00	3/8" Hex Jam Nut, SST .....	12
156257-00	Base Assembly, Specify Color .....	1
149172-00	Seesaw 2-Place Weldment, Specify Color .....	1
149173-00	Torsion Half Clamp, Specify Color .....	1
185471-00	9/16" O.D. Spacer, Aluminum .....	4
156370-00	Bolt Cover, Tan .....	4
149272-00	3/8" D-Cut Flat Washer, SST .....	8
181001-00	1.125" O.D. x 5 7/8" Long Polyurethane Rod .....	4
154164-00	Bushing .....	4
<b>184512-00</b>	<b>2-Seat Seesaw Hardware Package .....</b>	<b>1</b>
100252-00	3/8" x 1 1/4" Flat Head Cap Screw, SST .....	8
100327-00	3/8" Standard Hex Nut, SST .....	8
100365-00	3/8" SAE Flat Washer, SST .....	8
156846-00	Play Safe Label, 2-12 Years .....	1
182213-00	Hot Surface Warning Label .....	1
182212-00	Entanglement Warning Label .....	1
115176-00	Hard Surface Warning Label .....	1
<b>151765-00</b>	<b>Seesaw Leg Hardware Package (DB) .....</b>	<b>1</b>
100216-00	1/2" x 1 1/4" Hex Cap Screw, SST .....	4
100363-00	1/2" Flat Washer, SST .....	8
129692-00	1/2" Standard Hex Nut, SST/Patch .....	4
<b>120202-00</b>	<b>Spring Animal Hardware Package (SM) .....</b>	<b>1</b>
100262-00	1/2" x 6" L-Anchors .....	4
100322-00	1/2" Standard Hex Nut, SST .....	4
100363-00	1/2" Flat Washer, SST .....	4

DB = Direct Bury

SM = Surface Mount

## Specifications

**Seesaw Assembly:** (Seesaw) Weldment comprised of 3.500" O.D. RS20 (.125" wall) galvanized steel tube, 1.029" O.D. RS20 (.070"-.080" wall) galvanized steel tube, 1/8" HRPO flat steel, 12 Ga. (.105") sheet HRPO steel and 1/4" sheet HRPO steel. Finish: ProShield®, color specified.

**(Base Assembly)** Weldment comprised of 1/4" sheet HRPO steel and 2" square steel bar. Finish: ProShield, color specified.

**(Torsion Half Clamp)** Fabricated from 1/4" sheet HRPO steel. Finish: ProShield, color specified.

**(Polyurethane Rod)** 1.125" O.D.

**(Bolt Covers)** ABS Polymer Thermoplastic, Tan in color.

**(Bushings)** Plastic (UHMW), Black in color.

## Kids In Motion 148636 Seesaw, 2-Seat

**Leg:** Weldment comprised of 5.000" O.D. x 11 Ga. (.120") galvanized steel tube, 1/4" sheet HRPO steel and 3/16" sheet HRPO steel. Finish: ProShield, color specified.

**Seat:** Permalene®, Tan/Black in color.

**Fasteners:** Primary fasteners shall be socketed and pinned tamperproof in design, stainless steel (SST) per ASTM F 879 unless otherwise indicated (see specific product installation/specifications).

**Installation Time:** DB - Approx. 2 man hours

SM - Approx. 2 man hours

**Concrete Req.:** DB - Approx. 3 cu. ft.

SM - Approx. 1.5 cu. ft. (existing concrete slab)

**Weight:** DB - 151 lbs.

SM - 109 lbs.

**Area Required:** 12' 11" x 21' 7" (3,94 m x 6,58 m)

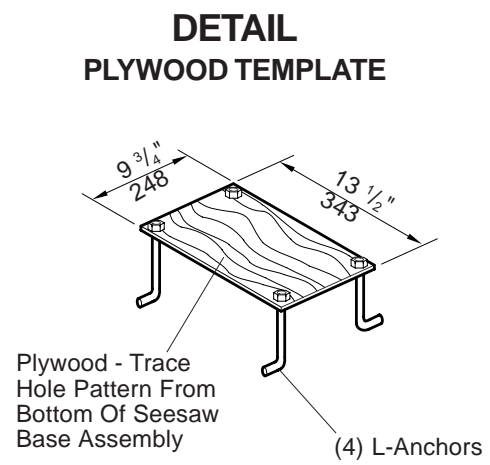
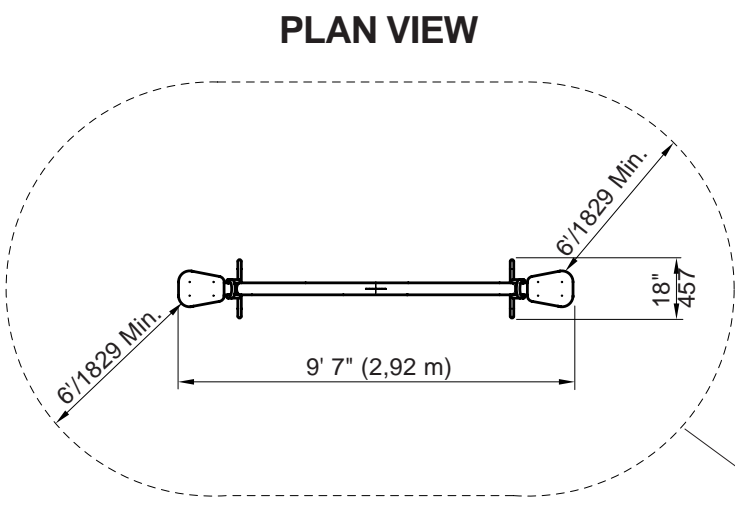
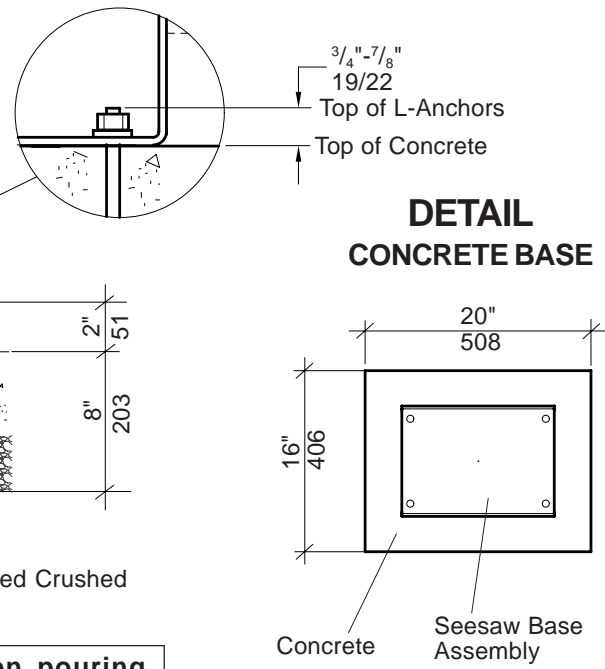
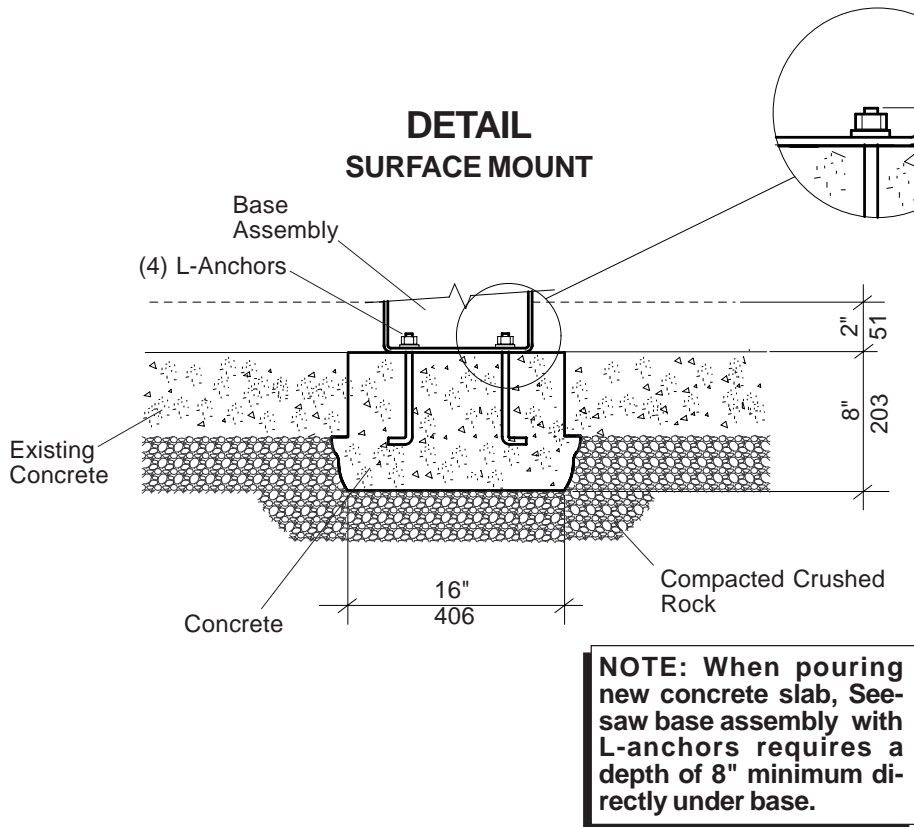
**Fall Height:** 29" (700 mm)

## Installation Instructions

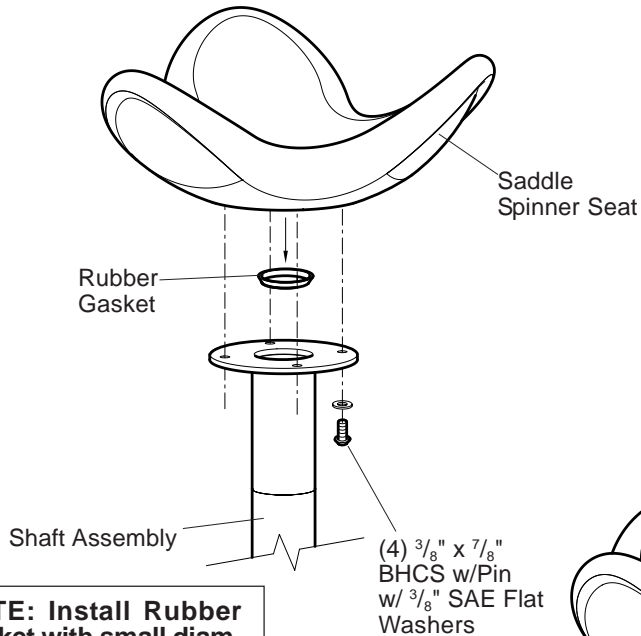
- (Direct Bury)** Dig footing to depth as shown. Refer to the Direct Bury Detail.
  - Attach seats to to seesaw assembly using 3/8" x 1 1/4" flat head cap screws and 3/8" standard hex nuts with 3/8" SAE flat washers.
  - Lay Seesaw on its side and attach leg using 1/2" x 1 1/4" hex cap screws with 1/2" flat washers and 1/2" standard hex nuts with 1/2" flat washers.
  - Lift Seesaw upright and place leg in footing hole. With Stand-up Seesaw plumb pour concrete footing. Allow concrete footing to cure for a minimum of 72 hours before users are allowed to play on the structure.
  - Apply Play Safe and Warning Labels, as shown.
  - Install protective surfacing 2" - 4" above bottom of base assembly before users are allowed to play on the component.
- (Surface Mount )** Cut a rectangular hole in existing concrete to size as shown. After existing concrete has been removed, dig down deep enough to allow for compacted crushed rock and 8" of concrete. Refer to the Surface Mount and Concrete Base Details. **NOTE:** When pouring new concrete slab, Seesaw base assembly with L-anchors requires a depth of 8" minimum directly under base.
  - Lay seesaw on its side. Using the base assembly as a pattern, make a plywood template for L-anchor placement and fasten L-anchors to template. Allow 3/4" - 7/8" of thread to protrude from template.
  - Pour concrete in footing hole and lay template on surface of concrete. Push L-anchors into concrete and level plywood template. Allow concrete to cure for 72 hours before removing template. Refer to the Plywood Template Detail.
  - Attach seats to to seesaw assembly using 3/8" x 1 1/4" flat head cap screws and 3/8" standard hex nuts with 3/8" SAE flat washers.
  - Lift Seesaw assembly upright and place over L-anchors. Fasten Seesaw assembly to L-anchors using 1/2" standard hex nuts with 1/2" flat washers.
  - Apply Play Safe and Warning Labels, as shown.
  - Install protective surfacing 2" - 4" above bottom of base assembly before users are allowed to play on the component.

**SAFETY NOTE**  
 Choose a protective surfacing material that has a Critical Height Value of at least the height of the Highest Accessible Part/Fall Height of the adjacent equipment. (Ref. ASTM F1487.)

155443a0

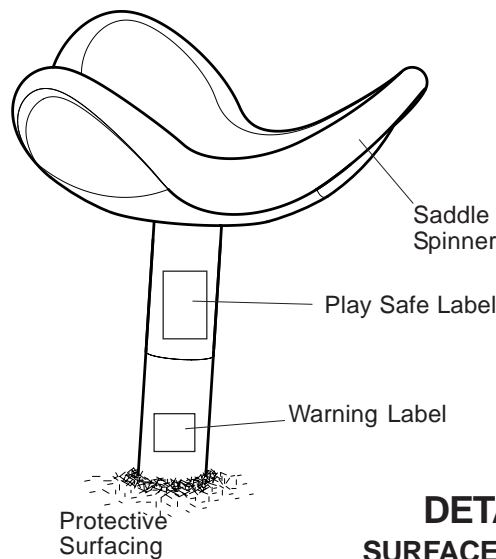
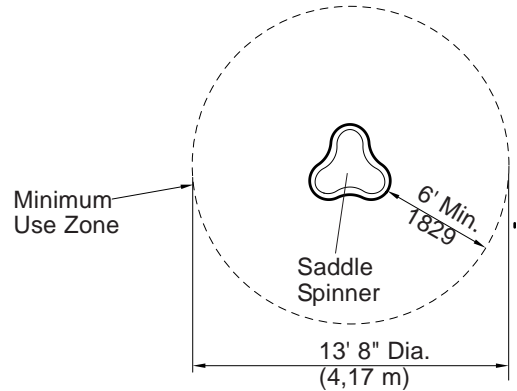


**DETAIL  
SADDLE SPINNER SEAT  
ASSEMBLY**

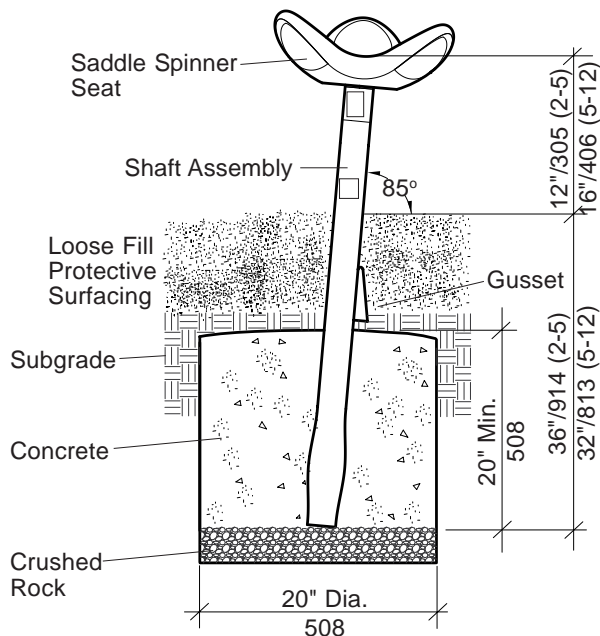


**NOTE: Install Rubber Gasket with small diameter down.**

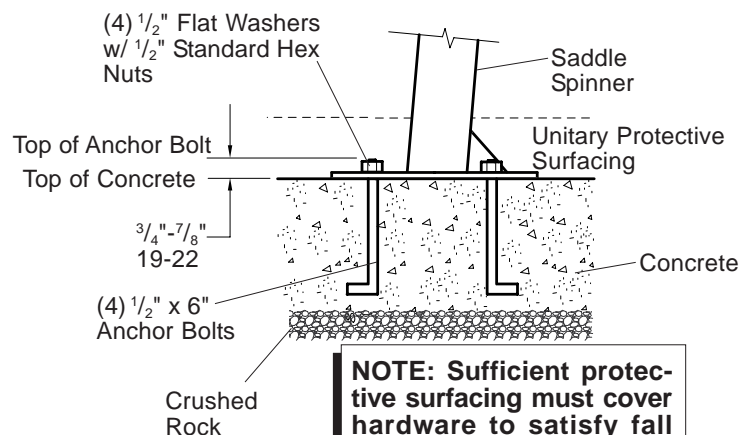
**DETAIL  
MINIMUM USE ZONE**



**DETAIL  
DIRECT BURY**



**DETAIL  
SURFACE MOUNT**



**NOTE: Sufficient protective surfacing must cover hardware to satisfy fall height requirements.**



## Parts List

Part #	Description	Qty.
151539-00	Saddle Spinner Seat, Specify Color .....	1
170419-00	Shaft Assy., DB, Specify Color .....	*
170420-00	Shaft Assy. 12" Seat Height, SM, Specify Color ...	*
152311-00	Shaft Assy. 16" Seat Height, SM, Specify Color ...	*
<b>183881-00</b>	<b>Spinner Seat Hardware Package .....</b>	<b>1</b>
100196-00	3/8" x 7/8" BHCS w/Pin, SST .....	4
100365-00	3/8" SAE Flat Washer, SST .....	4
156846-00	Play Safe Label, 2-12 Yrs. ....	1
127935-00	5/16" x 2 15/32" Rubber Gasket .....	1
183064-00	Warning label.....	1
<b>120202-00</b>	<b>Spring Animal Hardware Package (SM) .....</b>	<b>1</b>
100262-00	1/2" x 6" Anchor Bolt.....	4
100322-00	1/2" Standard Hex Nut, SST .....	4
100363-00	1/2" Flat Washer, SST .....	4

\* = Quantity Determined By Your Order

DB = Direct Bury

SM = Surface Mount

## Specifications

**Shaft Assembly:** (Saddle Spinner Seat Post) Weldment comprised of 2.875" O.D. RS40 (.160"-.170" Wall) galvanized steel tubing, 1.125" O.D. steel shaft, 12 Ga. (.105") HR flat steel, and 1141 or 1144 steel collar. Finish: ProShield®, color specified. (Sleeve/Plate) Weldment comprised of 1/4" sheet HRPO steel and 2.875" O.D. schedule 80 steel tubing. Finish: ProShield, color specified.

**Rubber Gasket:** Made from 50 durometer neoprene.

**Saddle Spinner Seat:** Rotationally molded from U.V. stabilized linear low density polyethylene measuring 18 1/4" wide x 7" high, color specified.

**Fasteners:** Primary fasteners shall be socketed and pinned tamperproof in design, stainless steel (SST) per ASTM F 879 unless otherwise indicated (see specific product installation/specifications).

**Installation Time:** 1 man hour (DB)  
3/4 man hour (SM)

**Weight:** 36 lbs. (DB)  
30 lbs. 12" Seat Height (SM)  
32 lbs. 16" Seat Height (SM)

**Area Req.:** 13' 8" (4,17 m) diameter

**Min. Use Zone.:** 6' (1,83 m)

**Concrete:** Approx. 3 1/2 cu. ft. (DB)

**Fall Height:** 12" (300 mm) 2-5 Years  
16" (410 mm) 5-12 Years

## Installation

### (Direct Bury)

- 1) Dig footing as shown. Refer to the Direct Bury Detail.
- 2) Attach saddle spinner seat and rubber gasket to shaft assembly using 3/8" x 7/8" BHCS w/pin and 3/8" SAE flat washers. Refer to the Saddle Spinner Seat Attachment Detail. **NOTE:** Install Rubber Gasket with small diameter down.
- 3) Place the shaft assembly in footing hole. Place a level on the shaft assembly gusset, when gusset is plumb pour concrete footing. Allow concrete footing to cure a minimum of 72 hours before users are allowed to play on structure. **NOTE:** Saddle spinner will have to be propped in position, until concrete has cured.
- 4) If required to meet Canadian Standard (CSA Z614) requirement for water ponding, drill (3) 1/8" diameter drain holes on top side of seat, and (3) 1/8" diameter holes on bottom side of seat. **NOTE:** Positions are prelocated on both sides of seat with an indent marking. Use caution to drill through one wall of plastic only.
- 5) Apply labels as shown.
- 6) Install protective surfacing before users are allowed to play on the structure.

### (Surface Mount)

- 1) Attach saddle spinner seat and rubber gasket to shaft assembly using 3/8" x 7/8" BHCS w/pin and 3/8" SAE flat washers. Refer to the Saddle Spinner Seat Attachment Detail. **NOTE:** Install Rubber Gasket with small diameter down.
- 2) Using the shaft assembly base plate as a pattern, make a template out of 1/4" thick plywood for anchor bolt placement.
- 3) Attach 1/2" x 6" anchor bolts with 1/2" standard hex nuts with 1/2" flat washers to holes in template. Allow 3/4" to 7/8" of thread above concrete.
- 4) Pour concrete slab, lay template on surface of concrete and push anchor bolts into concrete. Allow concrete to cure for a minimum of 72 hours before removing template.
- 5) Attach shaft assembly base plate to expansion anchors using 1/2" standard hex nuts with 1/2" flat washers.
- 6) If required to meet Canadian Standard (CSA Z614) requirement for water ponding, drill (3) 1/8" diameter drain holes on top side of seat, and (3) 1/8" diameter holes on bottom side of seat. **NOTE:** Positions are prelocated on both sides of seat with an indent marking. Use caution to drill through one wall of plastic only.
- 7) Apply labels as shown.
- 8) Install protective surfacing before users are allowed to play on the component. A minimum of 2" of protective material should cover base plate and anchor bolt nuts.